

10 9 8 7 6 5 4 3 2 1

F

E

D

C

B

A

F

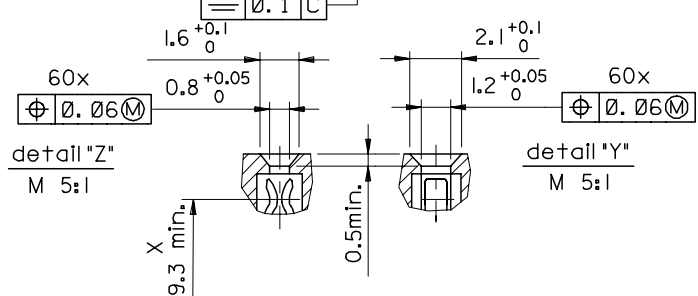
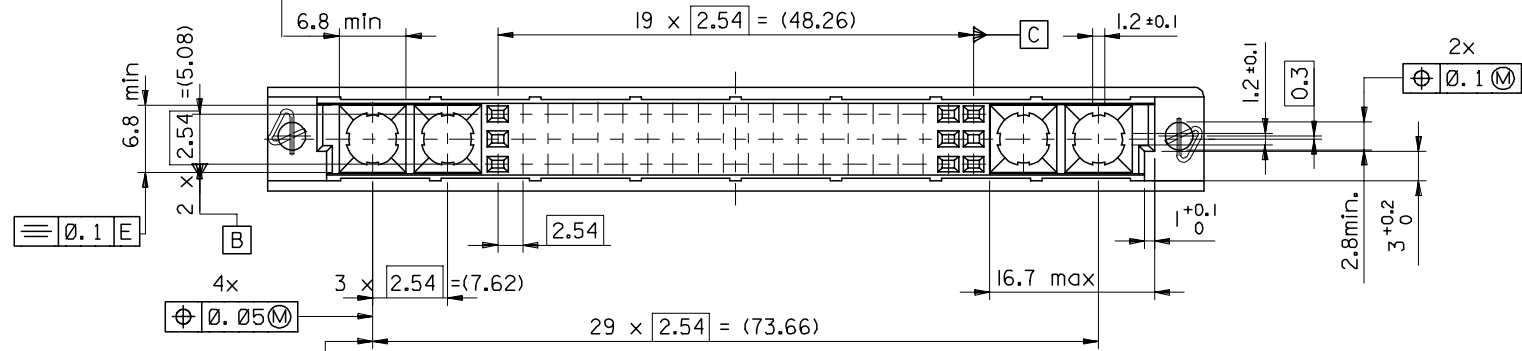
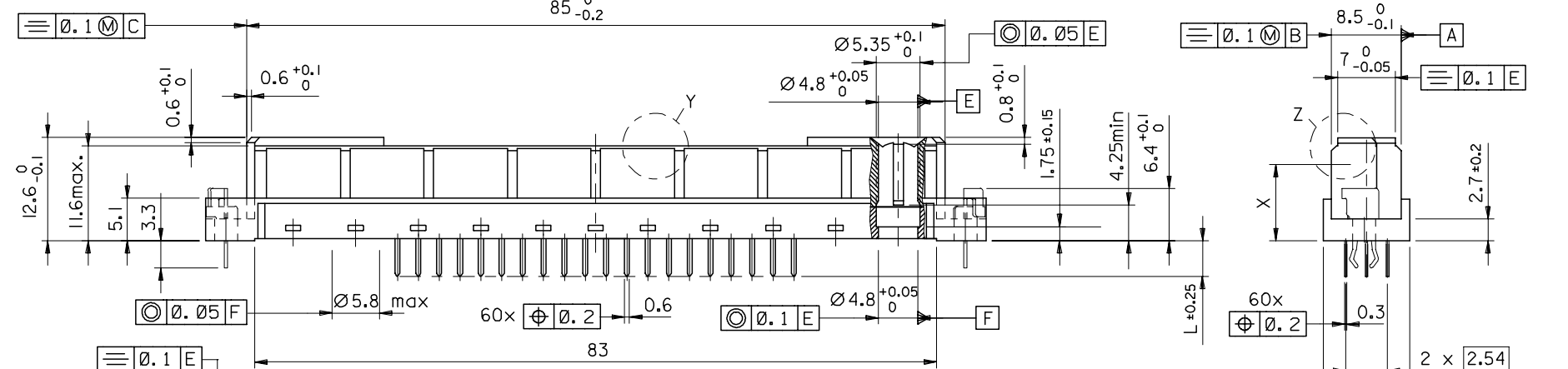
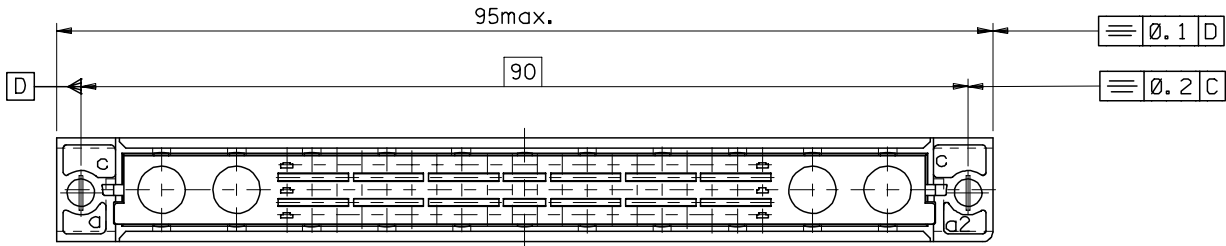
E

D

C

B

A



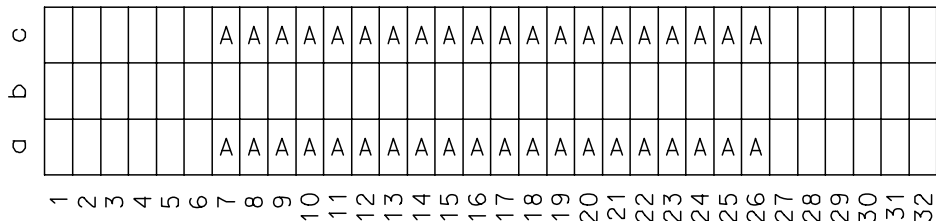
ENTER DESCRIPTION	QUALITY SYMBOLS
EC NO: 12005-0397	▽=0
DRWNS: IVAKUMAR 2005/03/04	▽=0
CHKD: SSUDHIR 2005/03/02	
APPR: KPRASAD 2005/04/14	
REV	DESCRIPTION
A	

GENERAL TOLERANCES (UNLESS SPECIFIED)	DIMENSION STYLE
	MM ONLY
4 PLACES ± --- ± ---	DRAWN BY DATE
3 PLACES ± 0.1 ± ---	SIVAKUMAR 2005/01/27
2 PLACES ± 0.15 ± ---	CHECKED BY DATE
1 PLACE ± 0.5 ± ---	SSUDHIR 2005/01/27
ANGULAR ± ---°	APPROVED BY DATE
	SSUDHIR 2005/01/27
DRAFT WHERE APPLICABLE MUST REMAIN WITHIN DIMENSIONS	MATERIAL NO.
	85048-9001
	SCALE
	---
	DESIGN UNITS
	METRIC
	THIRD ANGLE PROJECTION

TITLE	60 POS. FEMALE CONNECTOR DIN 41612, STYLE M NO RIBS IN BOTTOM PLATE
MATERIAL NO.	85048-9001
DOCUMENT NO.	SD-85048-9001
SHEET NO.	1 OF 2
THIS DRAWING CONTAINS INFORMATION THAT IS PROPRIETARY TO MOLEX INCORPORATED AND SHOULD NOT BE USED WITHOUT WRITTEN PERMISSION	

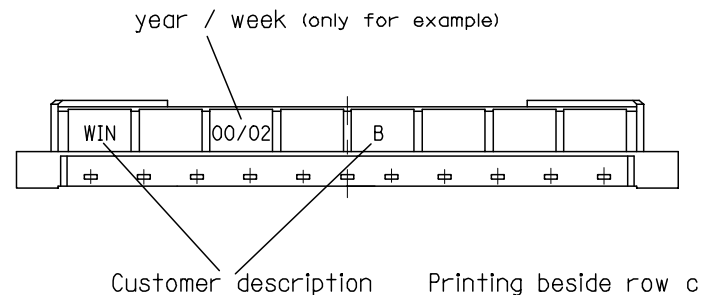
9 8 7 6 5 4 3 2 1

View on mating side



A = 40 standard contacts L=4,5

Marking	customer special
Performance level	G2/0 = Contact area level2/ Termination tin
Flux proof	no
Fixing clip	no
Dimensions	SD-85048-9001 sht.1
Technical Data	PS-85042-0001



A	G2/0	a7-26	c7-26
Contact symbol	Perform. level	Contact position number	

ENTER DESCRIPTION EC NO: 12005-0397 DRWN: SIVAKUMAR 2005/03/01 CHKD: SSUDHIR 2005/03/02 APPR: KPRASAD 2005/04/14	DESCRIPTION REV	QUALITY SYMBOLS ▽=0 ◻=0	GENERAL TOLERANCES (UNLESS SPECIFIED)		DIMENSION STYLE MM ONLY		SCALE ---	DESIGN UNITS METRIC	THIRD ANGLE PROJECTION	
			mm	INCH	DRAWN BY SIVAKUMAR	DATE 2005/01/27	TITLE 60 POS FEMALE CONNECTOR ACC DIN 41612 STYLE M CONTACTS ARRANGEMENT MOLEX MOLEX INCORPORATED			
		4 PLACES	±---	±---	CHECKED BY SSUDHIR	DATE 2005/01/27				
		3 PLACES	±---	±---	APPROVED BY SSUDHIR	DATE 2005/01/27	MATERIAL NO. 85048-9001	DOCUMENT NO. SD-85048-9001	SHEET NO. 2 OF 2	
2 PLACES	±---	±---	DRAFT WHERE APPLICABLE MUST REMAIN WITHIN DIMENSIONS		THIS DRAWING CONTAINS INFORMATION THAT IS PROPRIETARY TO MOLEX INCORPORATED AND SHOULD NOT BE USED WITHOUT WRITTEN PERMISSION					
1 PLACE	±---	±---	ANGULAR ±---°							