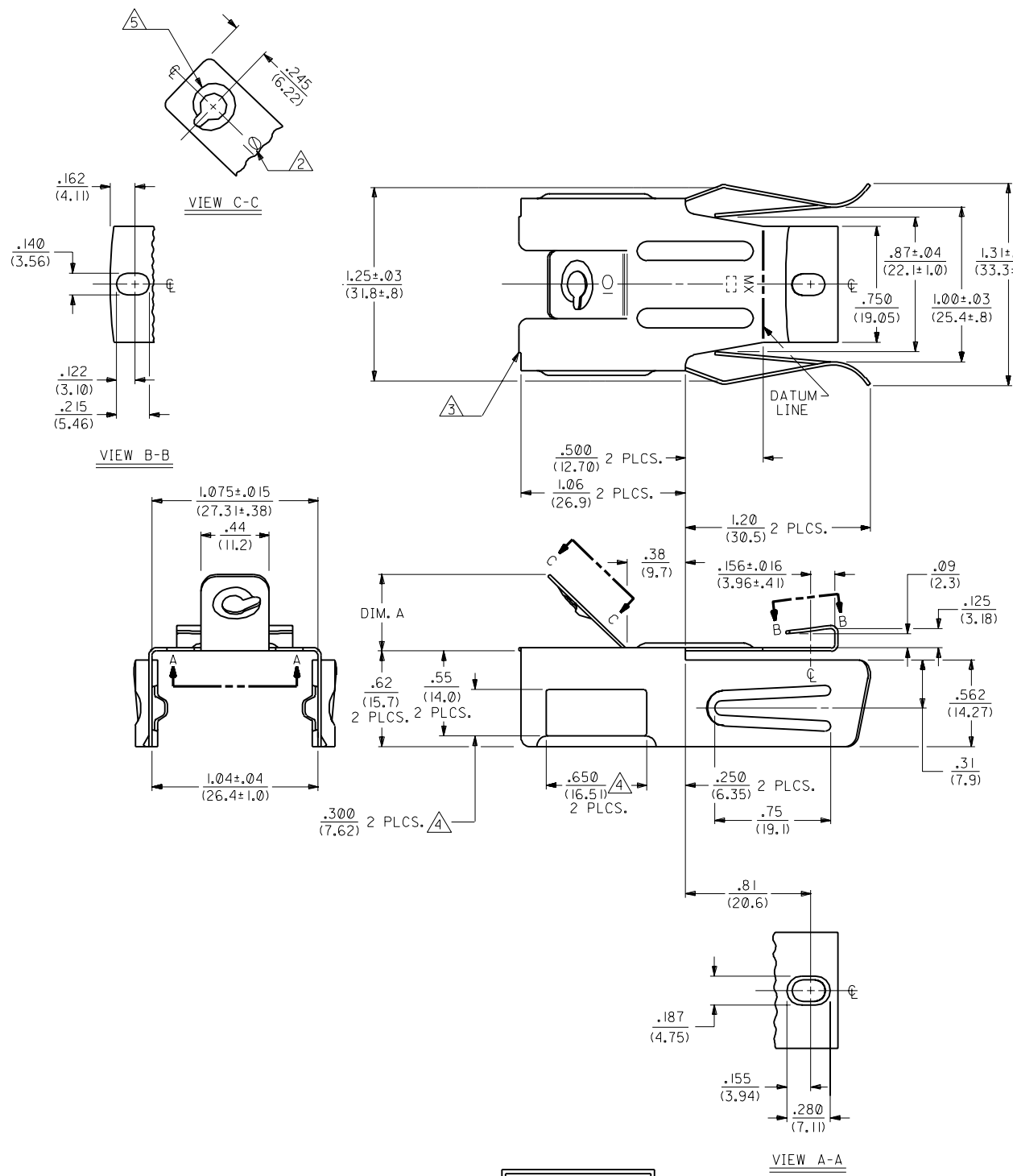


NOTES:

- 1. THESE MOUNTING CLIPS ARE FOR HOLDING THE 2481 SERIES HOUSINGS TO THE MAIN PANEL TOPS OF ELECTRIC RANGES.
- △ SCREW SIZE INDICATION.
- ③ .015/(.38) MAXIMUM CUT OFF.
- ④ .010/(.25) MAXIMUM MISMATCH.
- ⑤ THREAD FORM FOR A #10-32 SCREW.
- ⑥ THIS SURFACE MAY BE FORMED IN THIS DIRECTION A MAXIMUM OF 5°.



2589-ID-10

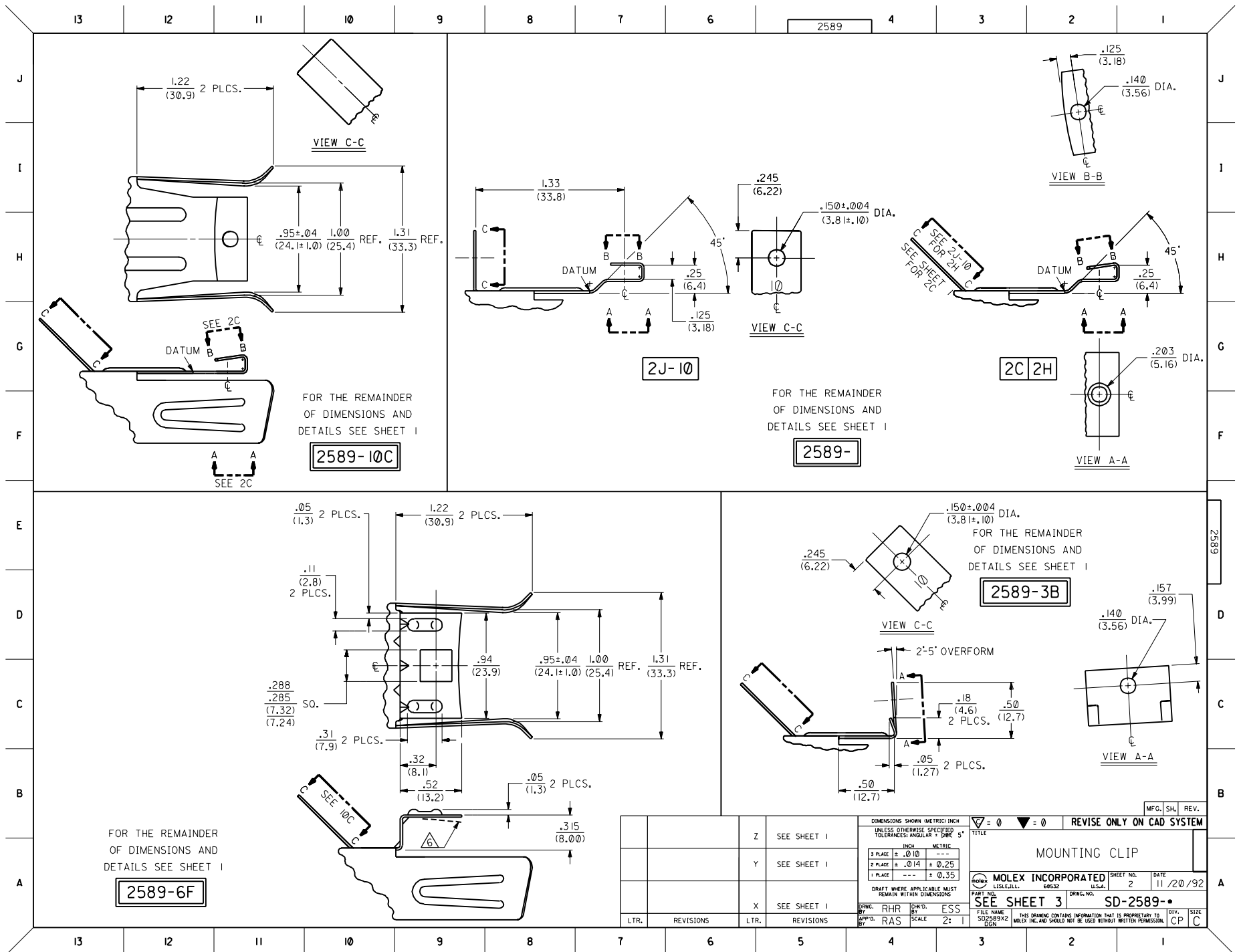
MATERIAL:

STEEL, STAINLESS, TYPE 301, .020/(.51) THICK.

AC	OBSOLETED P/N UCR2002-0255 01/9/12 COMERCI
AB2	REMOVED NOTCH UCR2000-0104 8/11/99 COMERCI
AB1	REV. RADII UCR2000-0086 8/05/99 COMERCI
AB	REVISED UCR 1999-0818 6/03/99 ELHAG
AA	REVISED ECN U4 0744 6/16/94 RHR
Z	REVISED ECN U4 0213 2/14/94 RHR
Y	REVISED ECN U3 0739 5/13/93 RHR
X	REDRAWN & REDIM. ECN U2 1712 11/25/92 RHR

3	AB
2	Z
1	AC

DIMENSIONS SHOWN (METRIC) INCH UNLESS OTHERWISE SPECIFIED TOLERANCES ANGULAR ± DMS 5°		▽ = 0	▼ = 0	REVISE ONLY ON CAD SYSTEM								
<table border="1"> <tr> <th>INCH</th> <th>METRIC</th> </tr> <tr> <td>3 PLACE ± .010</td> <td>---</td> </tr> <tr> <td>2 PLACE ± .014</td> <td>± 0.25</td> </tr> <tr> <td>1 PLACE ---</td> <td>± 0.35</td> </tr> </table>		INCH	METRIC	3 PLACE ± .010	---	2 PLACE ± .014	± 0.25	1 PLACE ---	± 0.35	TITLE MOUNTING CLIP		
INCH	METRIC											
3 PLACE ± .010	---											
2 PLACE ± .014	± 0.25											
1 PLACE ---	± 0.35											
DRAFT WHERE APPLICABLE MUST REMAIN WITHIN DIMENSIONS		PART NO. SD-2589X1										
DRWG. BY RHR		DRWG. NO. SD-2589-*										
CHK'D. BY ESS		SHEET NO. 1 of 3										
APP'D. BY RAS		DATE 11/20/92										
SCALE 2: 1		MOLEX INCORPORATED 1151E, ILL. 60532 U.S.A.										
THIS DRAWING CONTAINS INFORMATION THAT IS PROPRIETARY TO MOLEX INC. AND SHOULD NOT BE USED WITHOUT WRITTEN PERMISSION.		DIV. CP										



FOR THE REMAINDER OF DIMENSIONS AND DETAILS SEE SHEET I

2589-10C

FOR THE REMAINDER OF DIMENSIONS AND DETAILS SEE SHEET I

2589-

FOR THE REMAINDER OF DIMENSIONS AND DETAILS SEE SHEET I

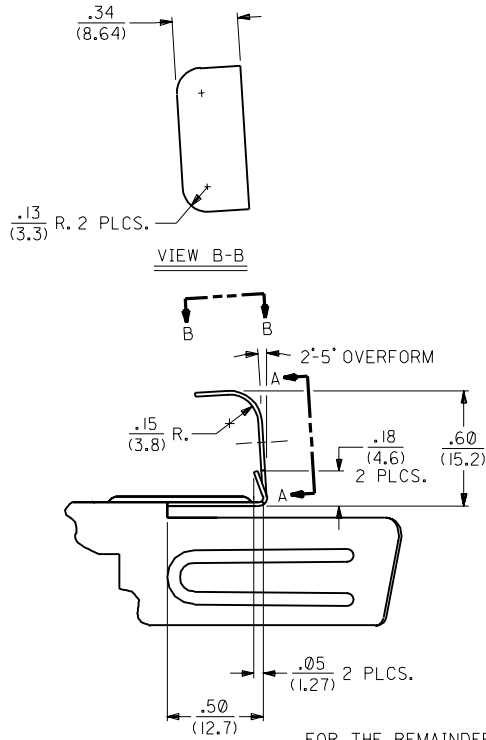
2589-3B

FOR THE REMAINDER OF DIMENSIONS AND DETAILS SEE SHEET I

2589-6F

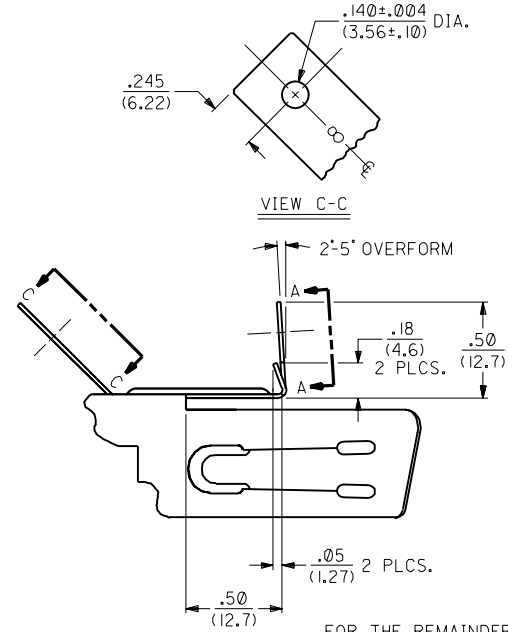
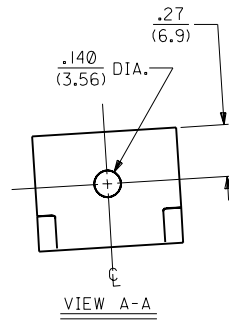
DIMENSIONS SHOWN (METRIC) INCH UNLESS OTHERWISE SPECIFIED TOLERANCES: ANGULAR ± .005°		▽ = 0 ▼ = 0		REVISE ONLY ON CAD SYSTEM	
		TITLE		MFG. SH. REV.	
		MOUNTING CLIP			
		PART NO. MOLEX INCORPORATED SHEET NO. 2 DATE 11/20/92			
		SEE SHEET 3		SD-2589-6F	
DRG. BY: RHR		CHK'D. BY: ESS		FILE NAME: SD2589X2	
APP'D. BY: RAS		SCALE: 2:1		THIS DRAWING CONTAINS INFORMATION THAT IS PROPRIETARY TO MOLEX INC. AND SHOULD NOT BE USED WITHOUT WRITTEN PERMISSION.	
LTR.	REVISIONS	LTR.	REVISIONS	DIV.	SIZE
				CP	C

PART NO.	ENG. NO.	DIMENSION	
		A	
089-00-2006	2589-ID-10	.48±.025 (12.2±.64)	
089-00-2022	2589-2C	.53±.025 (13.5±.64)	
089-00-2025	2589-2H	.656±.025 (16.66±.64)	
089-00-2027	2589-2J-10	.562±.025 (14.27±.64)	
089-00-2041	2589-3B	.48±.025 (12.2±.64)	
089-00-2047	2589-6F	.375±.015 (9.53±.38)	
089-00-2100	2589-10C	.48±.025 (12.2±.64)	
089-00-2101	2589-21A	.62±.025 (15.7±.64)	OBSOLETE
089-00-2103	2589-23	.62±.025 (15.7±.64)	



FOR THE REMAINDER
OF DIMENSIONS AND
DETAILS SEE SHEET I

2589-23



FOR THE REMAINDER
OF DIMENSIONS AND
DETAILS SEE SHEET I

2589-21A **OBSOLETE**

LTR.		REVISIONS		LTR.		REVISIONS	
AA	SEE SHEET I	Z	SEE SHEET I	X	SEE SHEET I		
AB	SEE SHEET I						

DIMENSIONS SHOWN (METRIC) INCH UNLESS OTHERWISE SPECIFIED TOLERANCES: ANGULAR ± .5°		▽ = 0	▼ = 0	REVISE ONLY ON CAD SYSTEM												
<table border="1"> <thead> <tr> <th></th> <th>INCH</th> <th>METRIC</th> </tr> </thead> <tbody> <tr> <td>3 PLACE</td> <td>± .010</td> <td>---</td> </tr> <tr> <td>2 PLACE</td> <td>± .014</td> <td>± 0.25</td> </tr> <tr> <td>1 PLACE</td> <td>---</td> <td>± 0.35</td> </tr> </tbody> </table>			INCH	METRIC	3 PLACE	± .010	---	2 PLACE	± .014	± 0.25	1 PLACE	---	± 0.35	TITLE		
	INCH	METRIC														
3 PLACE	± .010	---														
2 PLACE	± .014	± 0.25														
1 PLACE	---	± 0.35														
DRAFT WHERE APPLICABLE MUST REMAIN WITHIN DIMENSIONS		MOUNTING CLIP														
DRWG. BY: RHR	CHK'D. BY: ESS	MOLEX INCORPORATED SHEET NO. 3 DATE 2/24/93														
APP'D. BY: RAS	SCALE: 2: 1	SEE CHART SD-2589-*														
		FILE NAME: SD2589X3.DWG. NO. 69532 U.S.A.														
		THIS DRAWING CONTAINS INFORMATION THAT IS PROPRIETARY TO MOLEX INC. AND SHOULD NOT BE USED WITHOUT WRITTEN PERMISSION.														
		CP	C	SIZE												

MFG. SH. REV.

2589