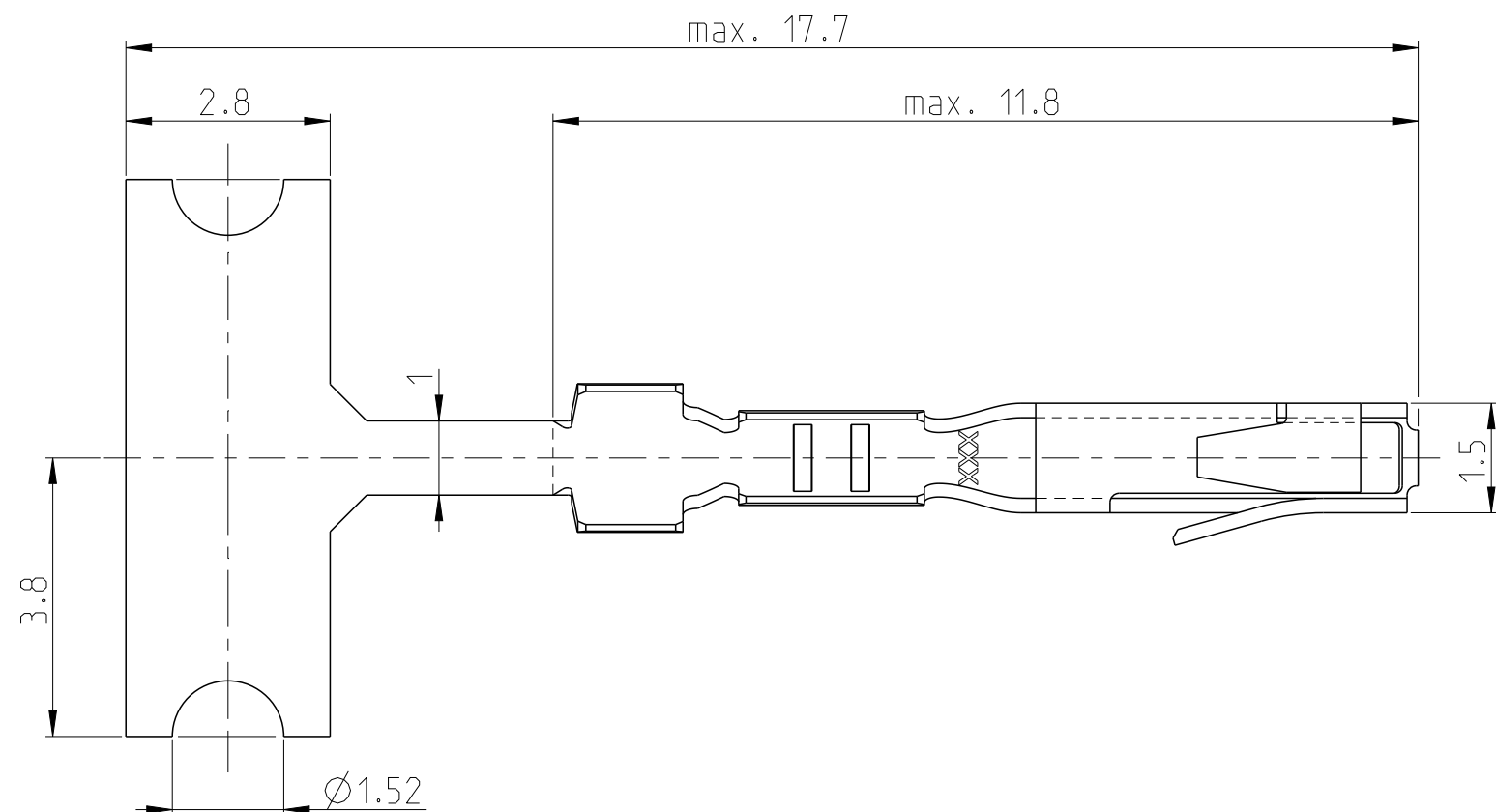


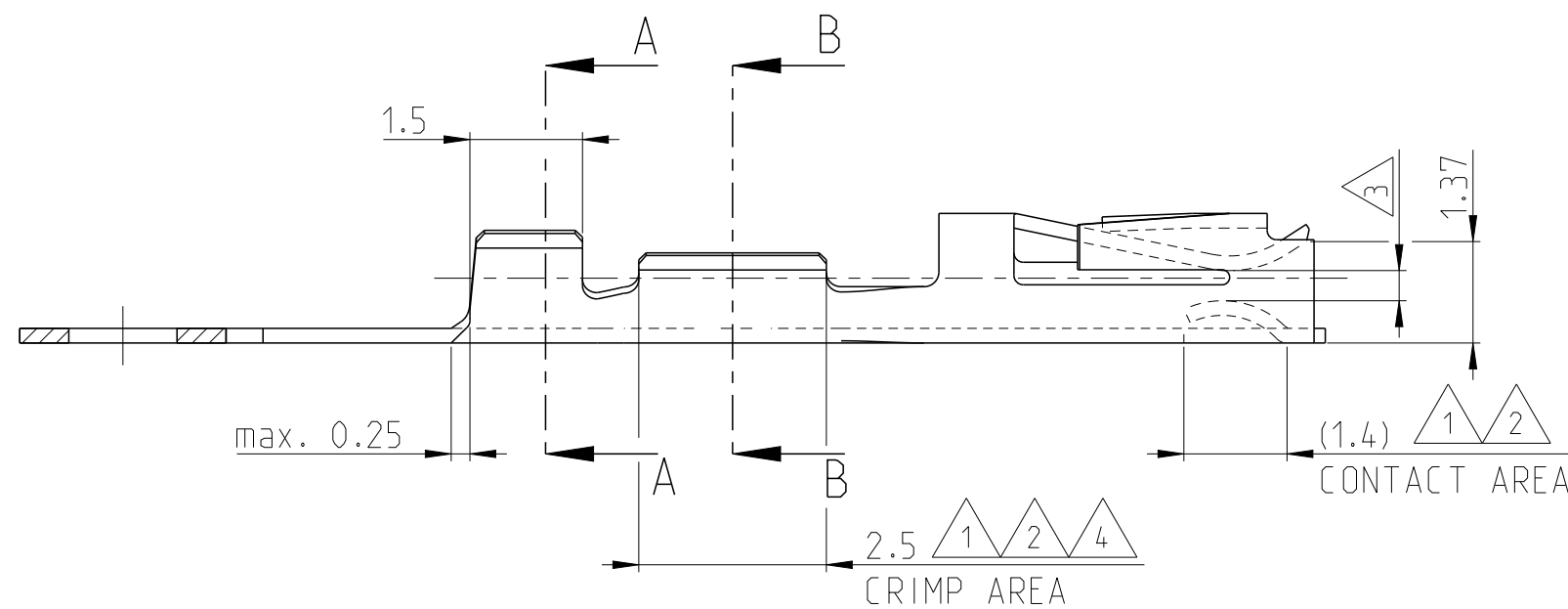
REVISIONS

P	LTR	DESCRIPTION	DATE	DWN	APVD
	E1	ECO-09-021510	15SEP2009	KK	AEG
	E2	NEW DRAWING CREATED IN CREO	26JUNE2014	JBH	BRUN
	E3	ECN-22-143896	21MAR2022	ES	SZ
	E4	REVISED AS PER ECR-23-168476	09MAR2023	JK	JK



NOTES:

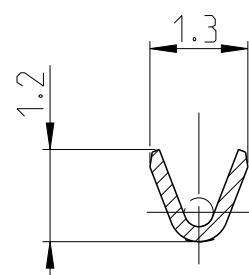
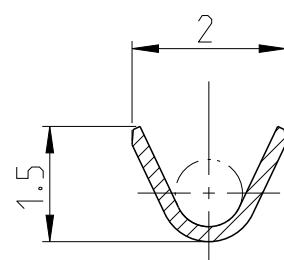
- 1 UNDERCOATING: 0.8 µm NICKEL OVERALL.
CONTACT AREA: 0.8 µm GOLD.
CRIMP AREA: GOLDFLASH
- 2 UNDERCOATING: 0.8 µm NICKEL OVERALL.
CONTACT AREA: 1.25 µm GOLD.
CRIMP AREA: GOLDFLASH
- 3 SUITABLE FOR 0.64x0.64 POST.
- 4 UNDERCOATING: 0.8 µm NICKEL OVERALL.
CONTACT AREA: 0.4 µm GOLD.
CRIMP AREA: GOLDFLASH.
- 5 ADVANCED PROD. NRS. FOR DIN 41612 PART 5 SPEC.
- 6 OBSOLETE PARTS: OBSOLETE CIS STREAMLINING PER D.RENAUD/D.SINISI.



WIRE RANGE:
28-32 AWG
0.03-0.09 mm²
INSULATION RANGE:
0.5-1.02 DIA.

SECTION A-A

SECTION B-B



5 167042-4	4	PHOSPHORBRONZE	6 167041-7
6 167042-2	2		6 167041-4
167042-1	1		167041-2
LOOSE PIECE NUMBER	PLATING	MATERIAL	STRIPNUMBER

THIS DRAWING IS A CONTROLLED DOCUMENT.

DIMENSIONS:	TOLERANCES UNLESS OTHERWISE SPECIFIED:
mm	n. ISO 8015 n. ISO 2768-mS
	0 PLC ±
	1 PLC ±
	2 PLC ±
	3 PLC ±
	4 PLC ±
	ANGLES ±
MATERIAL	FINISH
-	-

DWN	J.Gibbels	22FEB1991
CHK	R.v.Lokven	-
APVD	R.Smeets	-
PRODUCT SPEC	-	-
APPLICATION SPEC	-	-
WEIGHT	-	-
CUSTOMER DRAWING		

STE TE Connectivity

NAME: STANDARD TANDEM SPRING RECEPTACLE

SIZE	CAGE CODE	DRAWING NO	RESTRICTED TO
A3	00779	167041	-

SCALE: 10:1 SHEET: 1 OF 1 REV: E4