

## PLS-031B-3PAI

# PLS-031B-3PAI

Miniature Level Sensor



### Electrical Characteristics @ 25 °C

Contact form		B
Contact rating max.	W / VA	10
Switching voltage max.	VDC	200
	VAC	140
Switching current max.	A	1
Carry current max.	A	1.2
Breakdown voltage min.	VDC	240
Total resistance max.	mΩ	280

### Environmental Characteristics

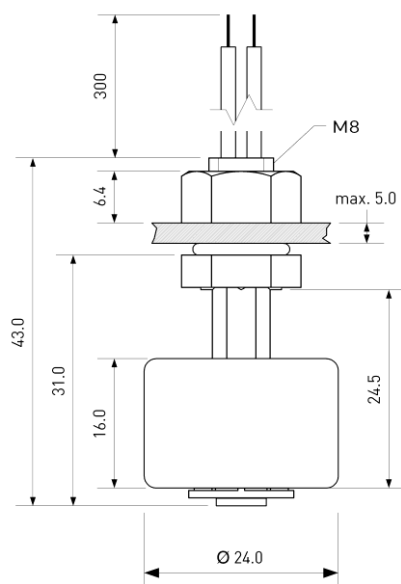
Operating temperature	°C	-20 to +80
Storage temperature	°C	-30 to +80

### Mechanical Characteristics

Density of float typ.*	g / cm <sup>3</sup>	0.76
Recommended minimum gravity of medium	g / cm <sup>3</sup>	Density of float + 20%

\* in delivery condition

### Dimensions in mm



### Features

- Polyamide housing
- Covers a wide range of applications
- M8 thread
- Customized types available

### Approvals



### Ordering Information

Packing Unit	10	pcs
Weight per piece	11	g
Weight per package	115	g

PLS-031B-3PAI



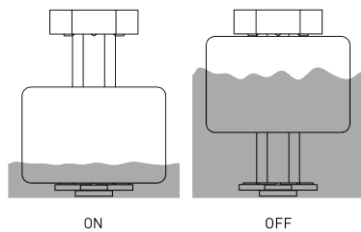
**PLS-031B-3PAI**

Miniature Level Sensor

**Material Information**

	Material	Colour
Housing	PA-GF	black
Cable	UL 1007, AWG 24, 4 mm stripped and tinned	black
Nuts	PA6, M8, 1 pc preassembled	black
Float	PA6 foam	black
Potting	PU / Epoxy	black
Sealing ring	FPM	black

**Operation View**

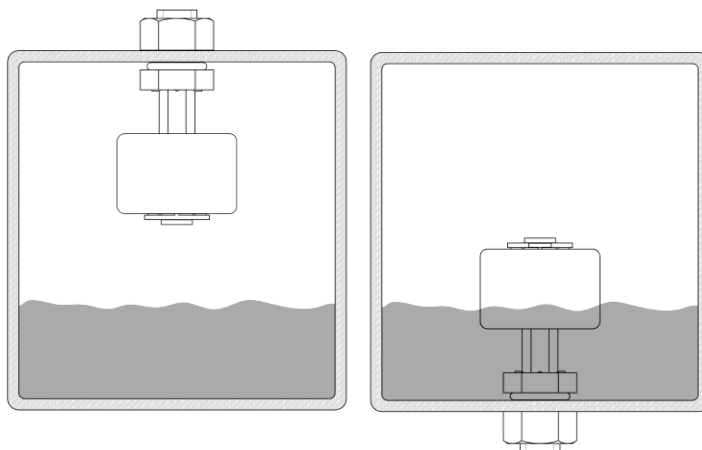


**Remarks**

When mounted near ferromagnetic parts switching distance of PLS-031B-3PAI may vary.

Electromagnetical influences and magnetic fields may change the switching behaviour of the Level Sensor.

**Mounting**



When mounted stem up, operating functions are reversed.