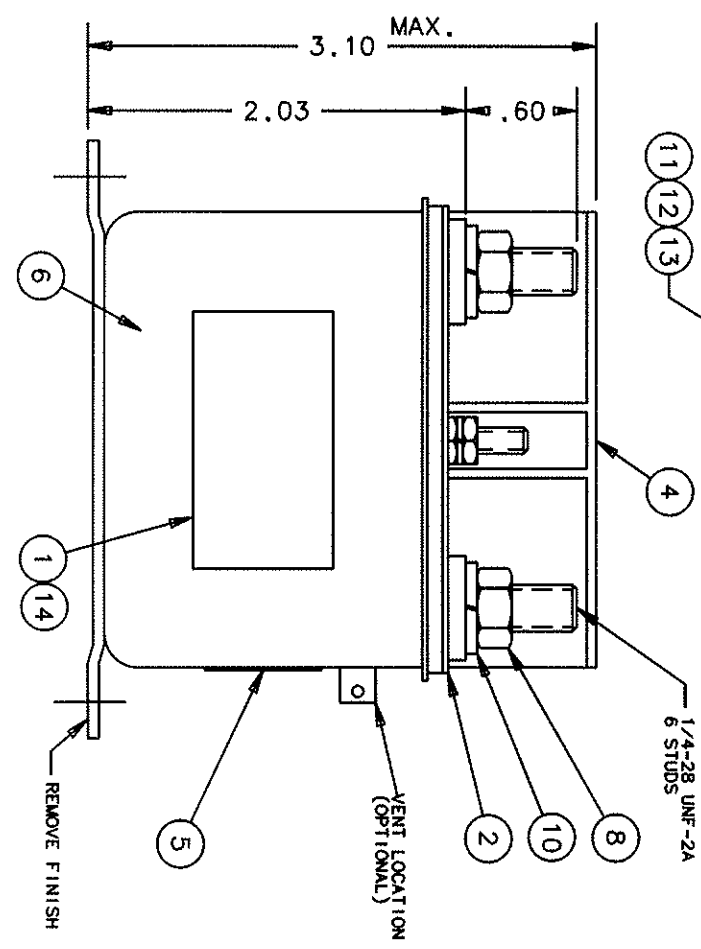
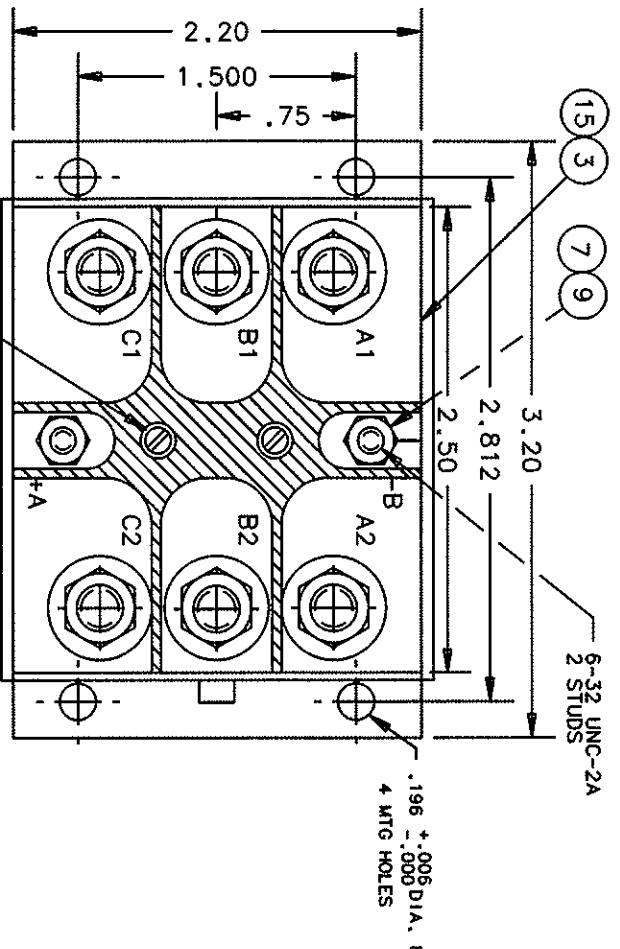
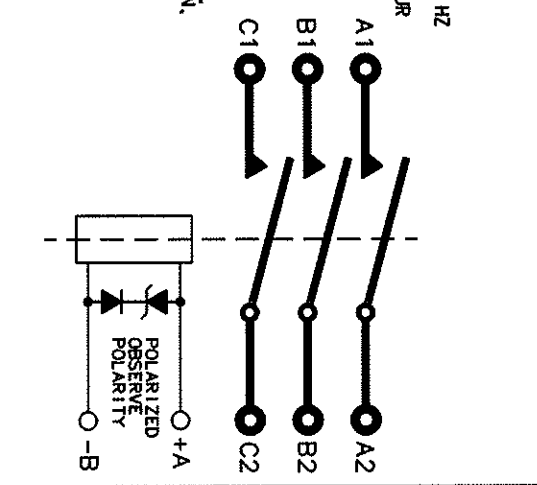


REV#	DESCRIPTION	DATE	APPROVED
D 26104	REDRAWN ON CAEDS, ADDED LIFE AND OPERATE TIMES, 3.20 WAS 3.25	94/05/31	RS
E 27399	ITEM 12 WAS 51202-130	95/03/13	RS
F 34861	FIND NOS 14 & 15 ADDED	98/02/09	RS
G 43010	ADDED VIEW OF GASKET	00/08/17	CC
H 0255-03	RELOCATED ITEMS 3 & 15	03/03/07	CC



CONSTRUCTION
 MODE CONTACTS MAIN VOLTAGE CURRENT RES. OVERLOAD RAPTURE
 COIL DATA
 DUTY CYCLE
 MAX. HOLD CURRENT
 MAX. OPERATING VOLTAGE
 MIN. OPERATING VOLTAGE
 DROP-OUT VOLTAGE
 OPERATE TIME AT 28 VDC, 25°C
 RELEASE TIME AT 28 VDC, 25°C
 LIFE ELECTRICAL
 LIFE MECHANICAL
 VIBRATION/10G
 WEIGHT (MAX)
 TEMPERATURE RANGE



NOTES:
 1. COIL TRANSIENT VOLTAGE LIMITED TO ±50 VOLTS REFERENCED TO ZERO VOLTS.
 2. REF. AGOSTA EN06E0011
 3. UNIT DESIGNED TO MEET THE APPLICABLE REQUIREMENTS OF MIL-R-6106.
 4. UNIT DESIGNED TO MEET THE REQUIREMENTS OF B.S.1 SPEC. NO. BS.36 100 PART 2 SECTION 3, SUBSECTION 3.5, CLASSIFICATION LEVEL C.

NO	QTY	PART OR IDENTIFYING NO	NAME/CLATURE OR DESCRIPTION	FSCM NO	DRAWING OR SPECIFICATION	MATERIAL OR NOTE
15	1	39529-017	OVERLAY			
14	1	39529-001	OVERLAY			
13	2	51802-010	WASHER, NO. 2 INT.			BRONZE
12	2	51202-131	SCREW, 2-56 X 3/4 RD. HD.			STEEL
11	2	51000-016	O - RING			
10	6	51807-034	WASHER LOCK 1/4 SPLIT			BRONZE
9	2	51806-014	WASHER LOCK NO. 6 SPLIT			BRONZE
8	6	50407-074	NUT, 1/4-28 X 3/8 X 3/16 HEX			BRASS
7	2	50406-034	NUT, 6-32 X 1/4 X 5/64 HEX			BRASS
6	1	40778-020	CONTACTOR ASSEMBLY - PRIMARY			
5	1	25695-001	PLATE - WARNING			
4	1	40857-001	TERMINAL SHIELD			
3	1	41110-001	PLATE - WIRING DIAGRAM			
2	1	41072-001	PLATE - BASE COVER			
1	1	16043-001	PLATE - NAME			

UNLESS OTHERWISE SPECIFIED DIMENSIONS ARE IN INCHES TOLERANCES ON ANGLES
 2 PL. DEC.13 PL. DEC.1 ANGLES
 * .06 * .010 * 1°
MATERIAL
 DR BY CSC 03/03/28
 CHK BY CC 08/03/28
 ENGR 03/03/28
 MFG 03/03/28
 SIZE 74063
 CODE IDENT
 SCALE 1/1 SHEET

TYCO Electronics
 14 Hartmont Blvd., Suite 175 N. Diamond Street, Waukegan, IL 60087
CONTACTOR - 3PST 120 A
 D-100A
 REF TYCO P/N 0-1616014-1