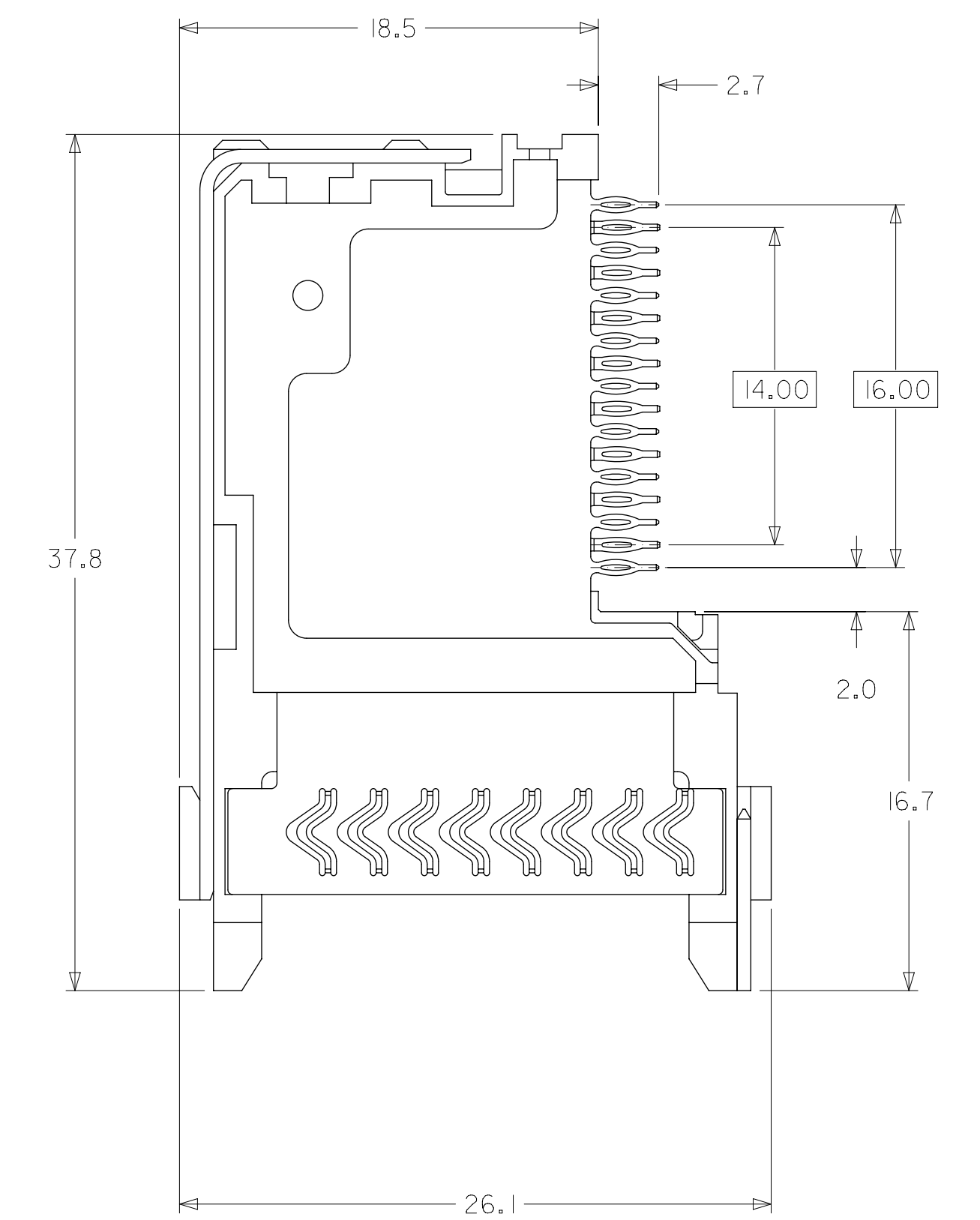
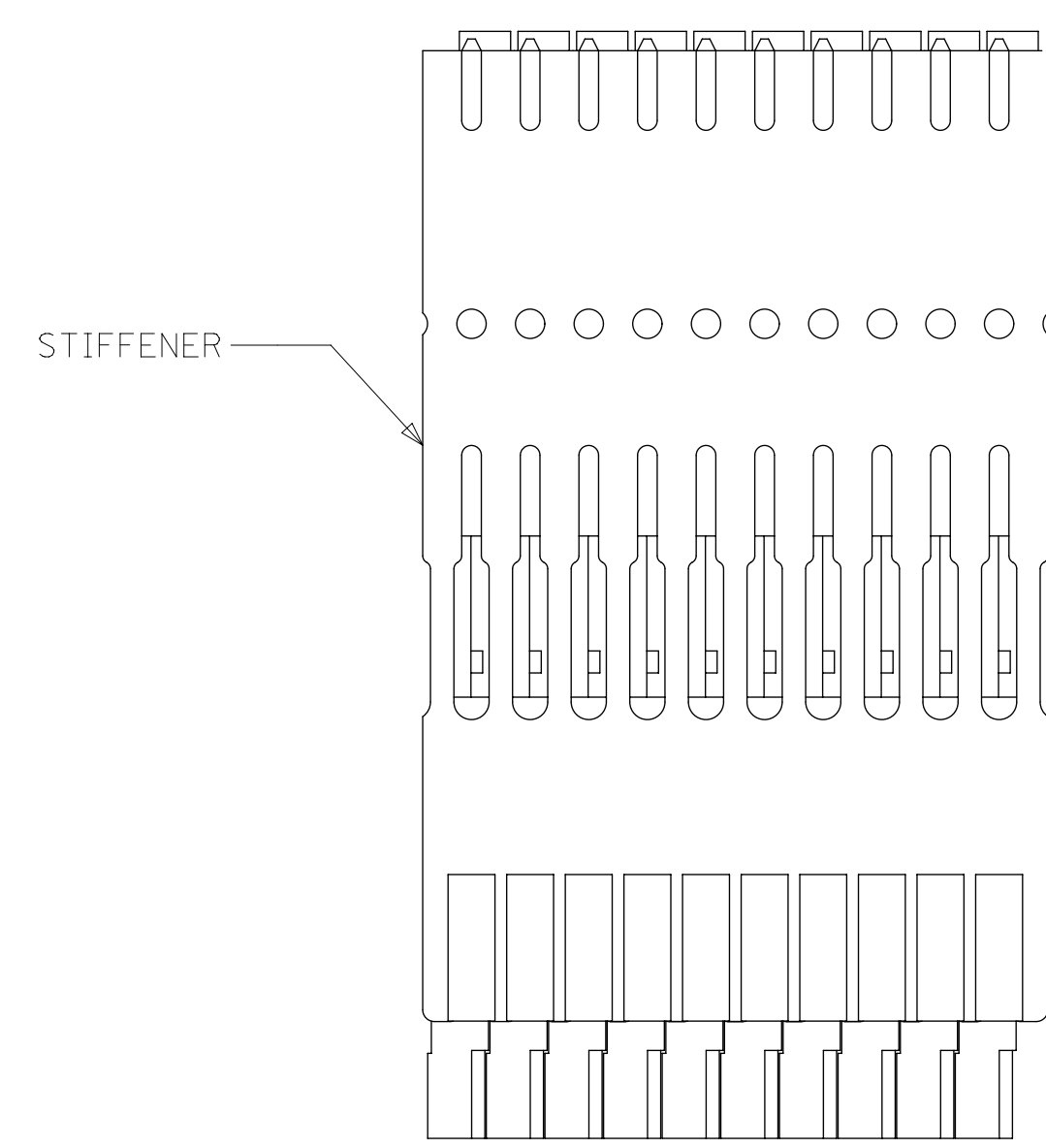
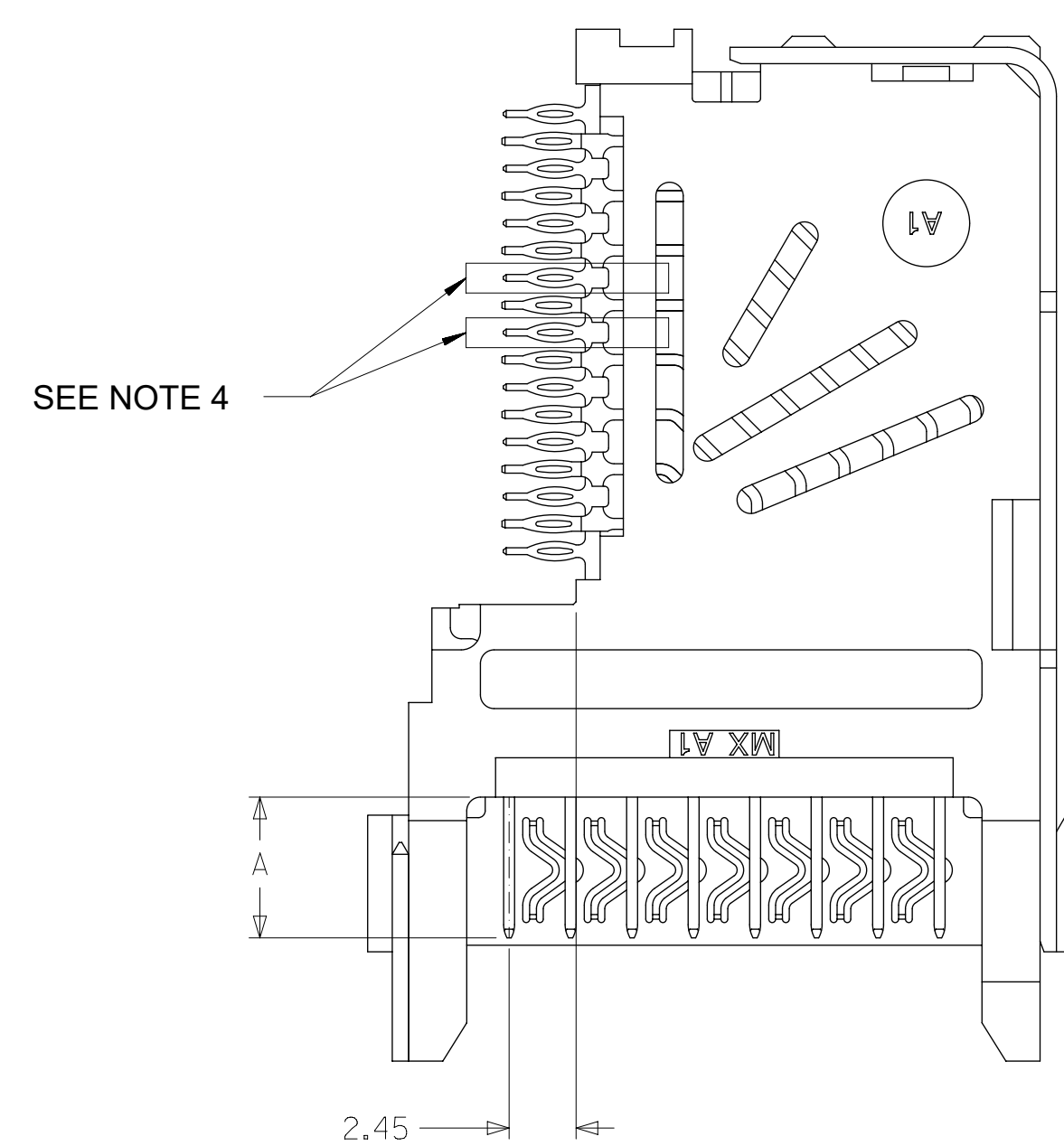
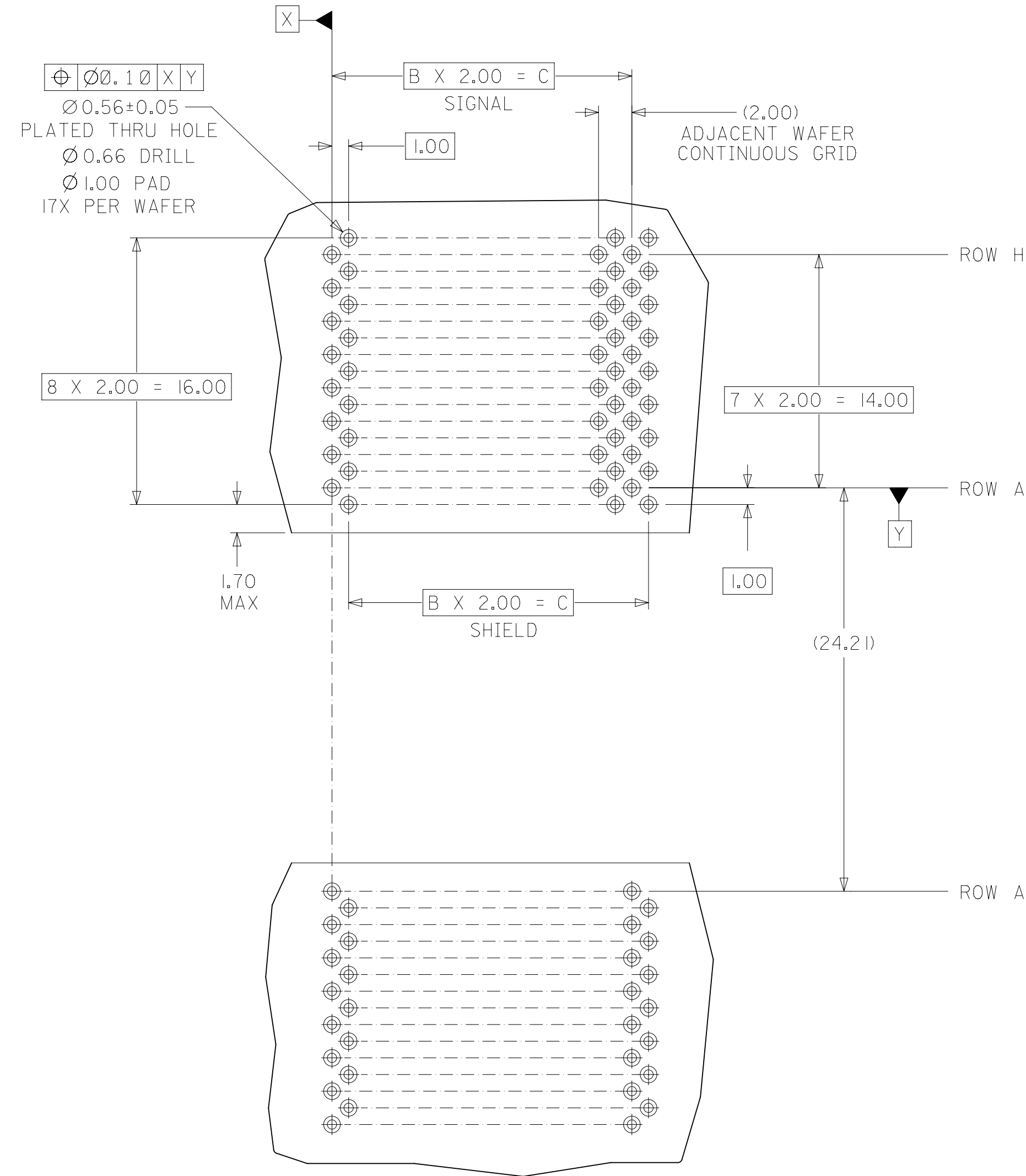


NOTES:

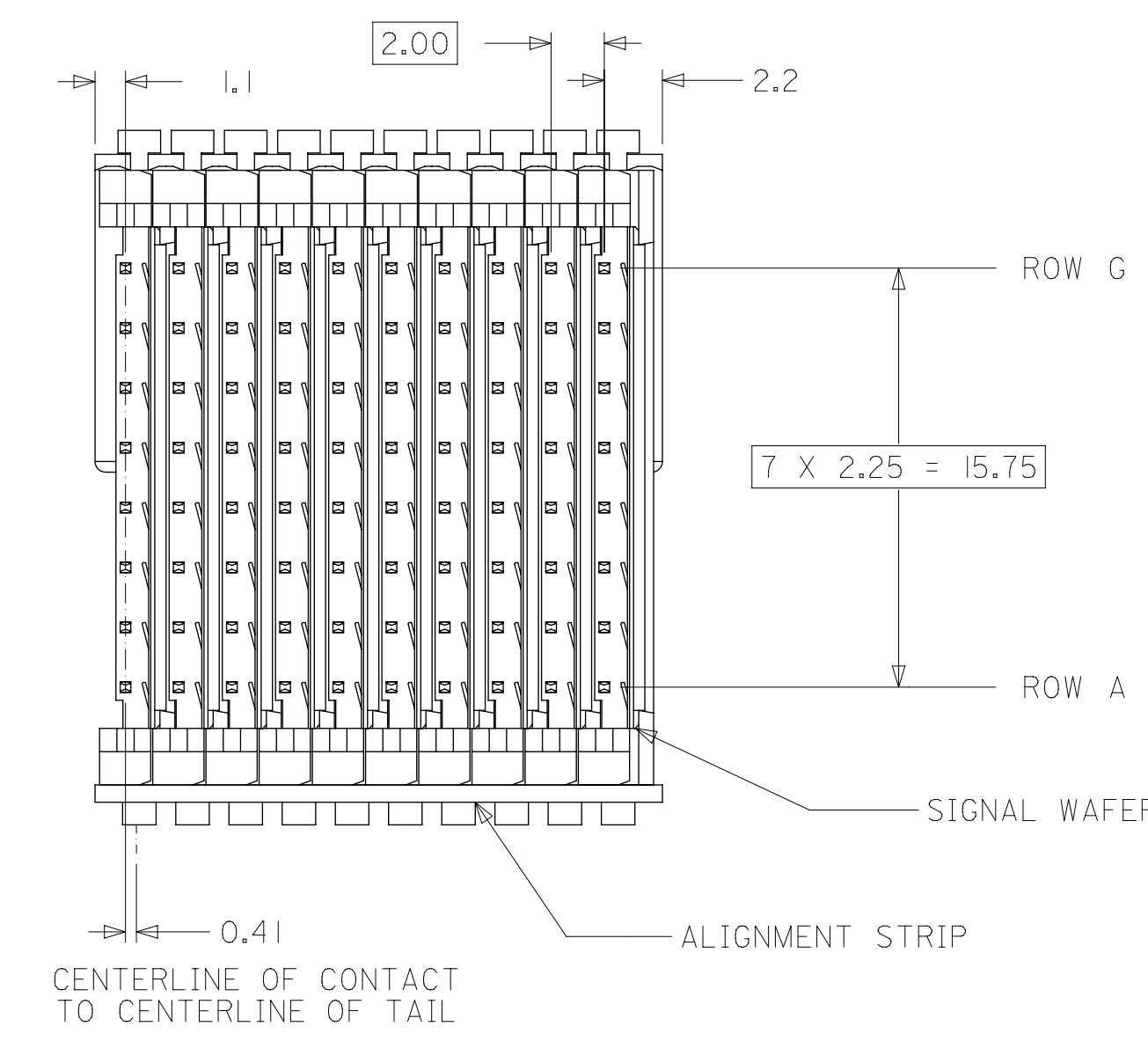
1. MATERIALS: HOUSING-LIQUID CRYSTAL POLYMER (LCP), COLOR: BLACK OR GRAY (SEE CHART), UL 94V-0. TERMINALS AND SHIELDS: HIGH PERFORMANCE COPPER ALLOY.
2. FINISH: SELECTIVE GOLD (Au) IN CONTACT AREA, 1.27 micrometer (50 MICRONS) MINIMUM OR 0.76 micrometer (30 MICRONS) MINIMUM --SEE CHART--; SELECTIVE MATTE TIN (Sn) OR TIN/LEAD (Sn/Pb) IN TAIL AREA; NICKEL (Ni) OVERALL.
3. SIGNAL WAFERS SUPPLIED ON A STAINLESS STEEL STIFFENER WITH A STAINLESS STEEL ALIGNMENT STRIP. CONFIGURATIONS ARE CUSTOM PER ASSEMBLY CONSULT FACTORY FOR DETAILS.
4. THESE TWO TAILS ARE NOT PRESENT ON WAFER 75166-3100.



MALE HOLE PATTERN (CONNECTOR SIDE) (10 WAFERS SHOWN)



RECEPTACLE HOLE PATTERN (CONNECTOR SIDE)



PART NUMBER	DIM A	HOUSING COLOR	GOLD PLATING (MICRONS)	PB / PB FREE
75166-1000	5.15	BLACK	30	LEADED
75166-1100	5.15	BLACK	30	LEAD FREE
75166-2100	ROW A&H 4.75 ROW B-G 5.15	BLACK	30	LEAD FREE
75166-3100 *	ROW A&H 4.75 ROW B-G 5.15	BLACK	30	LEAD FREE

\* SEE NOTE 4

EXAMPLES OF WAFER ASSEMBLIES

NUMBER OF SIGNAL WAFERS	DIM B	DIM C
10	9	18.00
25	24	48.00
50	49	98.00

THIS DRAWING CONTAINS INFORMATION THAT IS PROPRIETARY TO MOLEX ELECTRONIC TECHNOLOGIES, LLC AND SHOULD NOT BE USED WITHOUT WRITTEN PERMISSION

DIMENSION UNITS	SCALE	CURRENT REV DESC: OBSOLETE PART NUMBERS	
mm	NTS		
GENERAL TOLERANCES (UNLESS SPECIFIED)			
	MM	INCH	
4 PLACES	±	±	
3 PLACES	±	±	
2 PLACES	± 0.13	±	
1 PLACE	± 0.25	±	
0 PLACES	±	±	
ANGULAR TOL	± 0.5°		
DRAFT WHERE APPLICABLE MUST REMAIN WITHIN DIMENSIONS		THIRD ANGLE PROJECTION	
		DRAWING	SERIES
		D-SIZE	75166
		MATERIAL NUMBER	CUSTOMER
		SEE CHART	GENERAL MARKET
		SHEET NUMBER	1 OF 1

**molex**

VHDM 8 ROW  
RIGHT ANGLE MALE SIGNAL SALES DRAWING

PRODUCT CUSTOMER DRAWING

DOCUMENT NUMBER: SD-75166-001  
DOC TYPE: PSD  
DOC PART: 001  
REVISION: C2