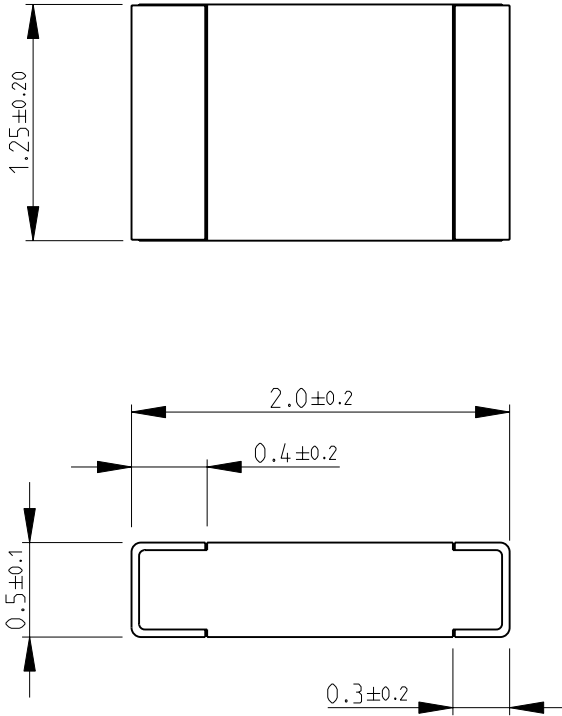
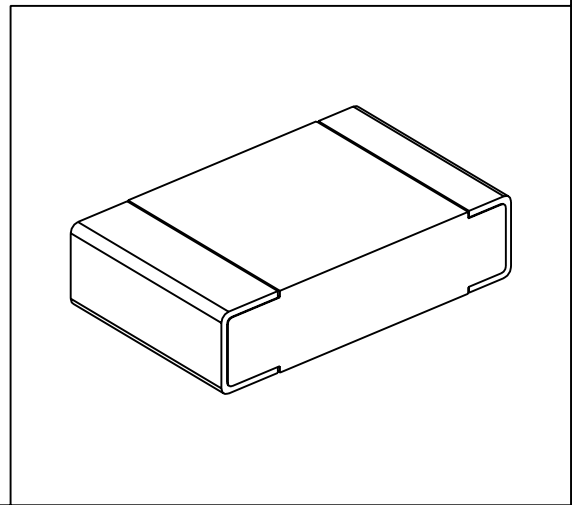


LOC	DIST	REVISIONS					
E	B	P	LTR	DESCRIPTION	DATE	DWN	APVD
			BA1	AS PER ECR-09-006166	17-MAR-09	SM	JC

FOR FURTHER INFORMATION SEE DATA SHEET FOR
CPF SERIES-THIN FILM PRECISION CHIP RESISTORS



RoHS Compliant



2008

RELEASED FOR PUBLICATION

THIS DRAWING IS UNPUBLISHED.

BY TYCO ELECTRONICS CORPORATION. ALL RIGHTS RESERVED.



DIMENSIONS: mm	DWN	SUBHASH.M	23-Sep-08	MATERIAL	-	FINISH	-
	CHK	PRAKASH.S	23-Sep-08	Tyco Electronics Tyco Electronics Corporation Dorcan, Swindon, SN3 5HH	NAME THIN FILM PRECISION CHIP RESISTORS SERIES CPF 0805		
TOLERANCES UNLESS OTHERWISE SPECIFIED:	APVD	STEPHEN.P	23-Sep-08				
0 PLC ± 0.2	PRODUCT SPEC	-		SIZE	A 4	CAGE CODE	00779
1 PLC ± 0.1	APPLICATION SPEC	-		DRAWING NO	C= 1614890		RESTRICTED TO
2 PLC \pm				WEIGHT	-		-
3 PLC \pm				CUSTOMER DRAWING			SCALE
4 PLC \pm							25:1
ANGLES $\pm 5^\circ$							SHEET 1 OF 1
							REV BA1