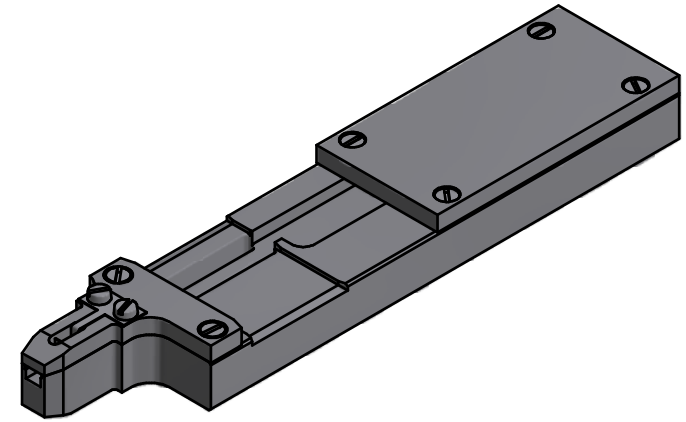
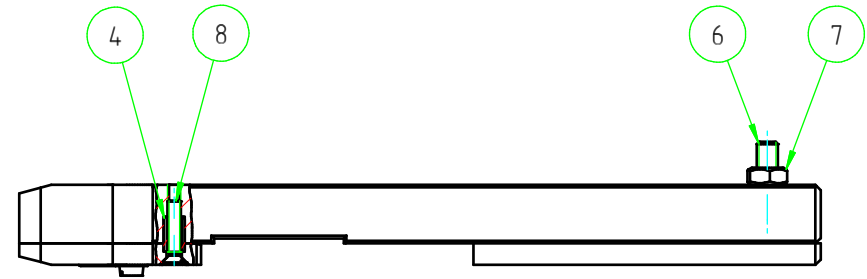
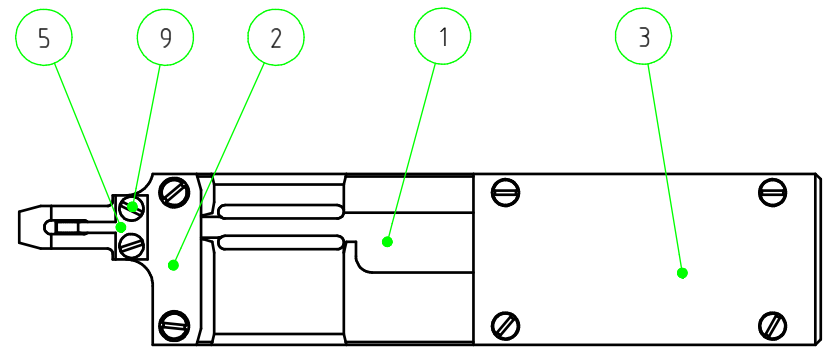



LOC	DIST	REVISIONS					
AI	00	P	LTR	DESCRIPTION	DATE	DWN	APVD
			A	INITIAL REVISION	20OCT2009	LS	DH




THIS DRAWING IS A CONTROLLED DOCUMENT.		DWN	14OCT2009		 TE Connectivity	
		CHK	L. Sandhu 20OCT2009			
		APVD	D. Heyl 20OCT2009		NAME INSERTION TUBE ASSY Einsetztube Baugruppe	
		PRODUCT SPEC	D. Heyl			
		APPLICATION SPEC			SIZE A3	
		Gewicht / Weight in Kg	0,402			
		CUSTOMER DRAWING		SCALE	SHEET	REV
					1 OF 2	A

POS	QTY	TE/PN	REV	DESCRIPTION	S=Spare Parts W=Wear Parts	S	W
1	1	2-0659663-2	A	TUBE INSERTION SINGLE EINSETZTUBE 1FACH		<input checked="" type="checkbox"/>	<input type="checkbox"/>
2	1	0-0578889-8	A	GUIDE PLATE, FRONT FÜHRUNGSPLATTE, VORNE		<input checked="" type="checkbox"/>	<input type="checkbox"/>
3	1	0-0659665-1	B	GUIDE PLATE, REAR FÜHRUNGSPLATTE, HINTEN		<input checked="" type="checkbox"/>	<input type="checkbox"/>
4	4	0-0873090-1	A	BUSHING		<input checked="" type="checkbox"/>	<input type="checkbox"/>
5	1	0-0578890-7	A	SPRING FEDER		<input checked="" type="checkbox"/>	<input type="checkbox"/>
6	1	0-2030791-6	A	PLUNGER, SPRING DRUCKSTÜCK GN616		<input checked="" type="checkbox"/>	<input type="checkbox"/>
7	1	0-0519021-8	A	MUTTER M4 DIN 934 -10 GAL NI		<input checked="" type="checkbox"/>	<input type="checkbox"/>
8	6	3-0519074-0	A	COUNTERSUNK SCREW SENKSCHRAUBE		<input checked="" type="checkbox"/>	<input type="checkbox"/>
9	2	1-0519003-0	A	ZYLINDERSCHR. M2,5*3 DIN 84 -8.8 GAL NI		<input checked="" type="checkbox"/>	<input type="checkbox"/>

REMARKS: CONTACT: 1601097

USED ON
2-0529524-7-A

P	LTR	REVISION RECORD	DATE	DWN	APVD	PRINTED	DWN	15OCT09	CHK	20OCT09	APVD	20OCT09
-	A	SEE SHEET 1	-	-	-	25JUL13	L. SANDHU		D. HEYL		D. HEYL	
-	-	-	-	-	-	WEIGHT	DIMENSION (mm)		MATERIAL		HT TR	
-	-	-	-	-	-	SEE SHEET 1	-		-		-	
<p>THIS DRAWING IS A CONTROLLED DOCUMENT FOR TYCO ELECTRONICS CORPORATION. IT IS SUBJECT TO CHANGE AND THE CONTROLLING ENGINEERING ORGANIZATION SHOULD BE CONTACTED FOR THE LATEST REVISION.</p> <p>DIESES ZEICHNUNGSDOKUMENT WIRD DURCH TYCO ELECTRONICS CORPORATION KONTROLLIERT. ÄNDERUNGEN DIE DEM TECHNISCHEN FORTSCHRITT DIENEN, SIND VORBEHALTEN. DEN JEWEILS LETZTGÜLTIGEN ÄNDERUNGSSTAND ERFAHREN SIE AUF ANFRAGE</p>								<p>TE Connectivity</p> <p>SPARE AND WEAR PARTS LIST</p>				
NAME											RESTRICTED TO	
INSERTION TUBE ASSY												
SCALE			SIZE		DRAWING NO			SHEET		REV		
SEE SHEET 1			A4		C-1-548040-8			2/2		A		