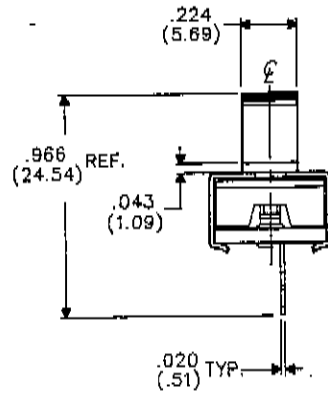
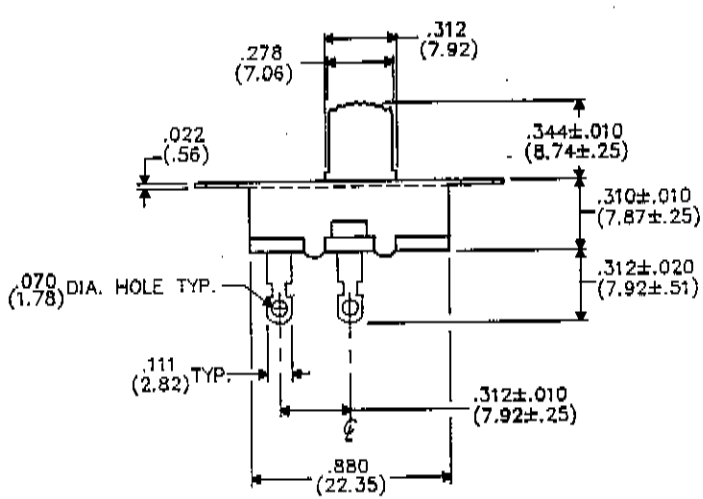
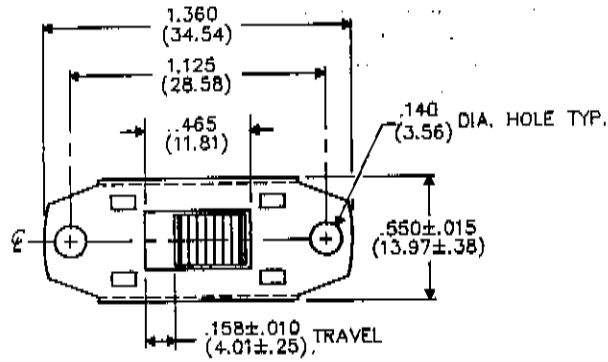


DIMENSIONS IN INCHES (MILLIMETERS)
DO NOT SCALE DRAWING...

Drawing No. **GF-423-0017**



B-FORM-Q
REVISIONS
RELEASED SPR 3-12-93
1/23/93

CW INDUSTRIES
Southampton, Pa. 18966

TOLERANCES UNLESS OTHERWISE SPECIFIED

2 Place decimal ±.010	METRIC
3 Place decimal ±.005	1 Place dec ±.25 MM
Angles	±1° 2 Place dec ±.13 MM

Made for CW IND.
Drawn by SPR 3-12-93
Checked by G. GOLD 3-16-93
Approval [Signature] 3-16-93

Title **SWITCH ASSEMBLY S.P.-S.T. ROUND KNURL**

Division **SWITCH**

Drawing No. **GF-423-0017**