



## VDP Multiple Pixel Clock Generator

### Features

- Generates multiple clock outputs from 20MHz external reference clock
- Input frequency: 20MHz
- Output frequencies:
  - Selectable CLKOUT: 108MHz, 27MHz, 33.2MHz, 85MHz, 65MHz, 25MHz, 45MHz, and 40MHz
  - REFOUT: 20MHz
- Operating Supply Voltage:  $3.3V \pm 0.3V$
- Zero ppm frequency synthesis error on all clock outputs
- 8-pin SOIC package

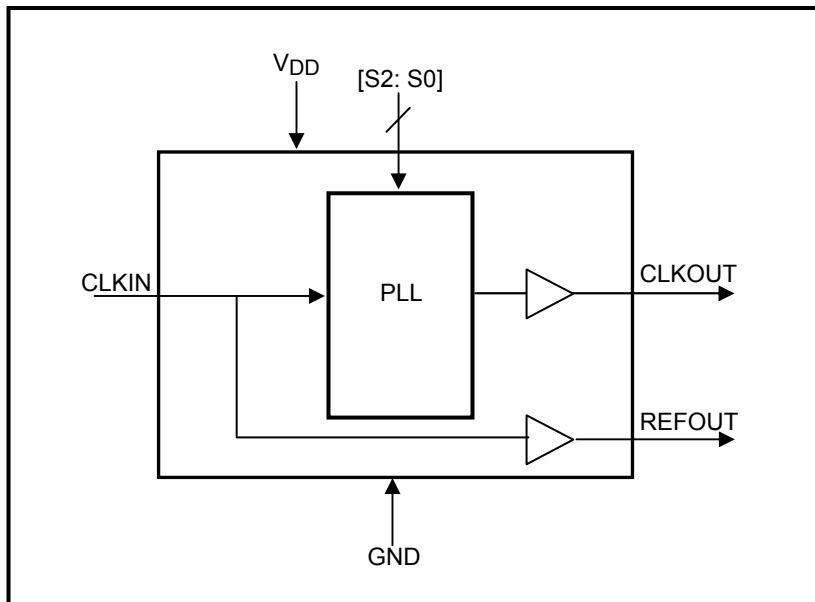
### Product Description

The PCS1P2192A is a clock generator that generates multiple selectable pixel clock outputs for Video Display Panel applications from an external 20MHz reference clock. The PLL based clock generator is specifically designed to provide zero ppm frequency synthesis error on all clock outputs. Various pixel clock rates are selectable through frequency selection pins S[2:0] (Refer to *Frequency Selection Table*) The device provides a reference clock output additionally. Operating Supply Voltage for this device is  $3.3V \pm 0.3V$ . The device is available in an 8-pin SOIC package.

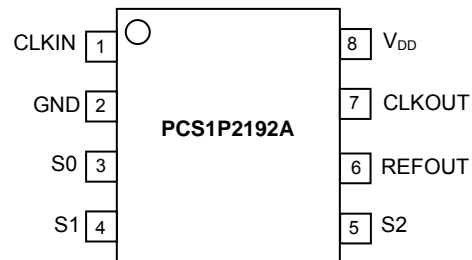
### Application

PCS1P2192A is targeted towards Video Display Panel (VDP) applications like VGA, SVGA, XGA, WXGA, UXGA.

### Block Diagram



## Pin Configuration



## Pin Description

Pin#	Pin Name	Type	Description
1	CLKIN	I	20MHz external reference clock input.
2	GND	P	Ground Connection.
3	S0	I	Frequency select. Digital logic input used to select output frequency. Has an internal pull up resistor. (Refer to <i>Frequency Selection Table</i> .)
4	S1	I	Frequency select. Digital logic input used to select output frequency. Has an internal pull up resistor. (Refer to <i>Frequency Selection Table</i> .)
5	S2	I	Frequency select. Digital logic input used to select output frequency. Has an internal pull up resistor. (Refer to <i>Frequency Selection Table</i> .)
6	REFOUT	O	Reference clock output.
7	CLKOUT	O	Clock output.
8	V <sub>DD</sub>	P	Device Power Supply .

## Frequency Selection Table

S2	S1	S0	CLKOUT (MHz)
0	0	0	108
0	0	1	27
0	1	0	33.2
0	1	1	85
1	0	0	65
1	0	1	25
1	1	0	45
1	1	1	40

## Absolute Maximum Ratings

Symbol	Parameter	Rating	Unit
$V_{DD}, V_{IN}$	Voltage on any input pin with respect to Ground	-0.5 to +4.6	V
$T_{STG}$	Storage temperature	-65 to +125	°C
$T_s$	Max. Soldering Temperature (10 sec)	260	°C
$T_J$	Junction Temperature	150	°C
$T_{DV}$	Static Discharge Voltage (As per JEDEC STD22- A114-B)	2	KV

Note: These are stress ratings only and are not implied for functional use. Exposure to absolute maximum ratings for prolonged periods of time may affect device reliability.

## Recommended Operating Conditions

Parameter	Description	Min	Typ	Max	Unit
$V_{DD}$	Operating Voltage	3.0	3.3	3.6	V
$T_A$	Operating Temperature	0		+85	°C
$C_L$	Load Capacitance			15	pF
$C_{IN}$	Input Capacitance			7	pF

## DC Electrical Characteristics

Symbol	Parameter	Min	Typ	Max	Unit
$V_{IL}$	Input low voltage (For CLKIN)	GND-0.3		0.8	V
$V_{IH}$	Input high voltage (For CLKIN)	2.0		$V_{DD}+0.3$	V
$I_{IL}$	Input low current			50	µA
$I_{IH}$	Input high current			-50	µA
$V_{OL}$	Output low voltage ( $V_{DD} = 3.3V, I_{OL} = 8mA$ )			0.4	V
$V_{OH}$	Output high voltage ( $V_{DD} = 3.3V, I_{OH} = -8mA$ )	2.4			V
$I_{DD}$	Static supply current <sup>1</sup>			5	mA
$I_{CC}$	Dynamic supply current (3.3V and no load)		9		mA
$V_{DD}$	Operating Voltage	3.0	3.3	3.6	V
$t_{ON}$	Power-up time (first locked cycle after power-up)		1		mS
$Z_{OUT}$	Output impedance		40		Ω

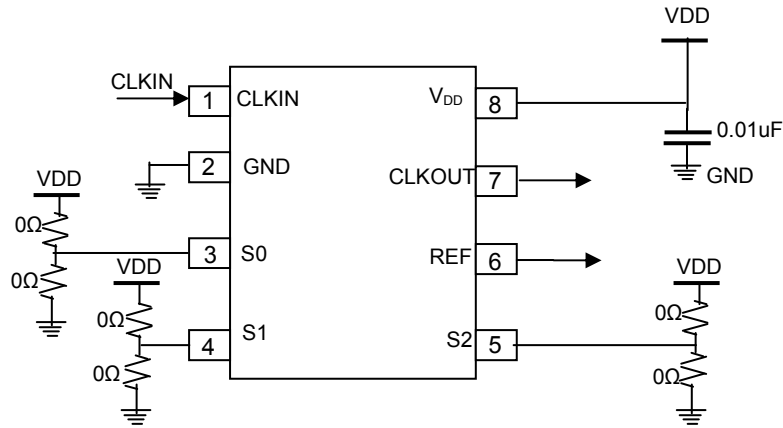
Note: 1. CLKIN pulled low.

**AC Electrical Characteristics**

Symbol	Parameter	Min	Typ	Max	Unit
$f_{IN}$	Input frequency		20		MHz
$f_{OUT}$	Output frequency		108, 27, 33.2, 85, 65, 25, 45, 40		MHz
$t_{LH}^1$	Output rise time (Measured from 20% to 80%)	1.2		2.5	nS
$t_{HL}^1$	Output fall time (Measured from 80% to 20%)	0.8		1.6	nS
$t_{JC}$	Period Jitter		±150		pS
	Frequency Synthesis Error (All Outputs)		0		ppm
$t_D$	Output duty cycle	40	50	60	%

Note: 1. Measured with a capacitive load of 15pF.

## Typical Application Schematic



Use either pull-up or pull-down 0Ω Resistor with [S2:S0] for selection of CLKOUT frequencies.

## PCB Layout Recommendation

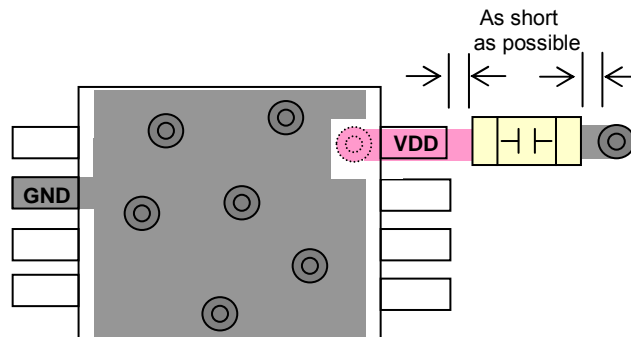
For optimum device performance, following guidelines are recommended.

- Dedicated VDD and GND planes.
- The device must be isolated from system power supply noise. A 0.01μF decoupling capacitor should be mounted on the component side of the board as close to the VDD pin as possible. No vias should be

used between the decoupling capacitor and VDD pin. The PCB trace to VDD pin and the ground via should be kept as short as possible. All the VDD pins should have decoupling capacitors.

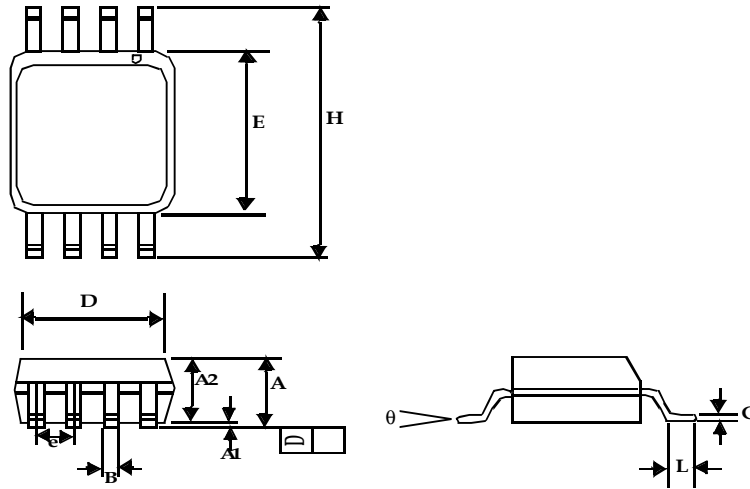
- In an optimum layout all components are on the same side of the board, minimizing vias through other signal layers.

A typical layout is shown in the figure below.



Package Information

8-Pin SOIC Package




Symbol	Dimensions			
	Inches		Millimeters	
	Min	Max	Min	Max
A1	0.004	0.010	0.10	0.25
A	0.053	0.069	1.35	1.75
A2	0.049	0.059	1.25	1.50
B	0.012	0.020	0.31	0.51
C	0.007	0.010	0.18	0.25
D	0.193 BSC		4.90 BSC	
E	0.154 BSC		3.91 BSC	
e	0.050 BSC		1.27 BSC	
H	0.236 BSC		6.00 BSC	
L	0.016	0.050	0.41	1.27
θ	0°	8°	0°	8°

## Ordering Code

Part Number	Marking	Package Type	Temperature
PCS1P2192AG-08SR	ACZ	8-Pin SOIC, TAPE & REEL, Green	0°C to +85°C

A "microdot" placed at the end of last row of marking or just below the last row toward the center of package indicates Pb-free.

**ON Semiconductor** and  are registered trademarks of Semiconductor Components Industries, LLC (SCILLC). SCILLC reserves the right to make changes without further notice to any products herein. SCILLC makes no warranty, representation or guarantee regarding the suitability of its products for any particular purpose, nor does SCILLC assume any liability arising out of the application or use of any product or circuit, and specifically disclaims any and all liability, including without limitation special, consequential or incidental damages. "Typical" parameters which may be provided in SCILLC data sheets and/or specifications can and do vary in different applications and actual performance may vary over time. All operating parameters, including "Typicals" must be validated for each customer application by customer's technical experts. SCILLC does not convey any license under its patent rights nor the rights of others. SCILLC products are not designed, intended, or authorized for use as components in systems intended for surgical implant into the body, or other applications intended to support or sustain life, or for any other application in which the failure of the SCILLC product could create a situation where personal injury or death may occur. Should Buyer purchase or use SCILLC products for any such unintended or unauthorized application, Buyer shall indemnify and hold SCILLC and its officers, employees, subsidiaries, affiliates, and distributors harmless against all claims, costs, damages, and expenses, and reasonable attorney fees arising out of, directly or indirectly, any claim of personal injury or death associated with such unintended or unauthorized use, even if such claim alleges that SCILLC was negligent regarding the design or manufacture of the part. SCILLC is an Equal Opportunity/Affirmative Action Employer. U.S. Patent Pending; Timing-Safe and Active Bead are trademarks of PulseCore Semiconductor, a wholly owned subsidiary of ON Semiconductor. This literature is subject to all applicable copyright laws and is not for resale in any manner.

## PUBLICATION ORDERING INFORMATION

### LITERATURE FULFILLMENT:

Literature Distribution Center for ON Semiconductor  
P.O. Box 5163, Denver, Colorado 80217 USA  
**Phone:** 303-675-2175 or 800-344-3860 Toll Free  
USA/Canada  
**Fax:** 303-675-2176 or 800-344-3867 Toll Free  
USA/Canada  
**Email:** [orderlit@onsemi.com](mailto:orderlit@onsemi.com)

**N. American Technical Support:** 800-282-9855  
Toll Free USA/Canada  
**Europe, Middle East and Africa Technical Support:**  
Phone: 421 33 790 2910  
**Japan Customer Focus Center**  
Phone: 81-3-5773-3850

**ON Semiconductor Website:**  
[www.onsemi.com](http://www.onsemi.com)

**Order Literature:** <http://www.onsemi.com/orderlit>

For additional information, please contact your local Sales Representative