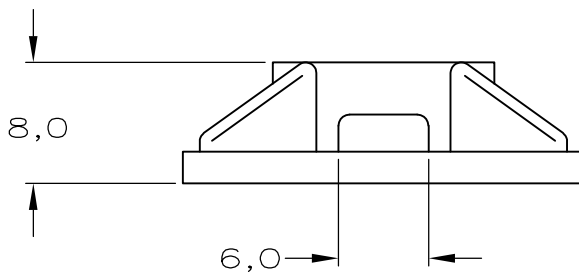
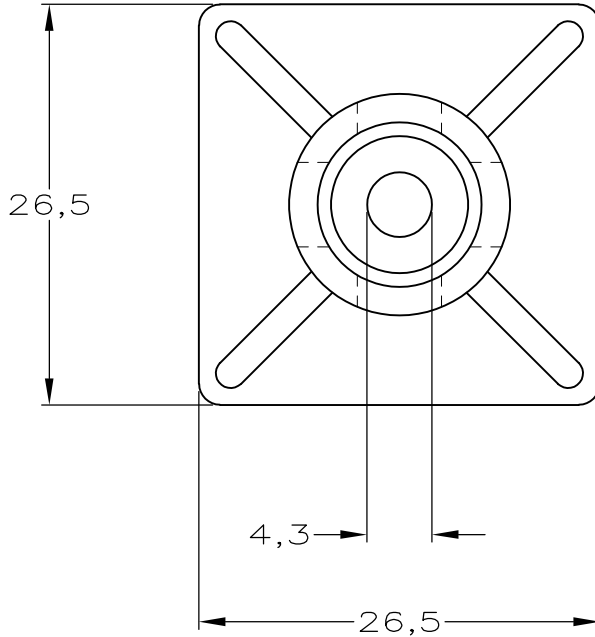


LOC	DIST	REVISIONS					
		P	LTR	DESCRIPTION	DATE	DWN	APVD
—	—		0	H-9856	14-08-92	R.D.	RV
			01	ECR-10-026542	04JAN11	KK	HMR

NOTES:

- 1 MAX. CABLE TIE WIDTH 4,8.
- 2 TENSILE STRENGTH 210 kPa
- 3 APPL. TEMP. RANGE +5 - +50° C.
- 4 OBSOLETE



BLACK	POLYAMIDE 6/6	2-100734-2	100
NATURAL	POLYAMIDE 6/6	2-100734-1	100
FINISH	MATERIAL	PARTNUMBER	QTY

RELEASED FOR PUBLICATION

ALL RIGHTS RESERVED.

THIS DRAWING IS UNPUBLISHED.

© COPYRIGHT - By -

DIMENSIONS: mm	DWN	R.DAAMEN	14-08-92	MATERIAL	-	FINISH	-			
	CHK	R.VOS.	-	TE Connectivity						
TOLERANCES UNLESS OTHERWISE SPECIFIED:	APVD	L.V.SOEST.	-							
0 PLC ± -	PRODUCT SPEC	-	NAME MOUNTING BASE.							
1 PLC ± -	APPLICATION SPEC	-								
2 PLC ± -	WEIGHT	-	SIZE	A4	CAGE CODE	00779	DRAWING NO	C-100734	RESTRICTED TO	-
3 PLC ± -			CUSTOMER DRAWING		SCALE	-	SHEET	1 OF 1	REV	01
4 PLC ± -			ANGLES	± -						