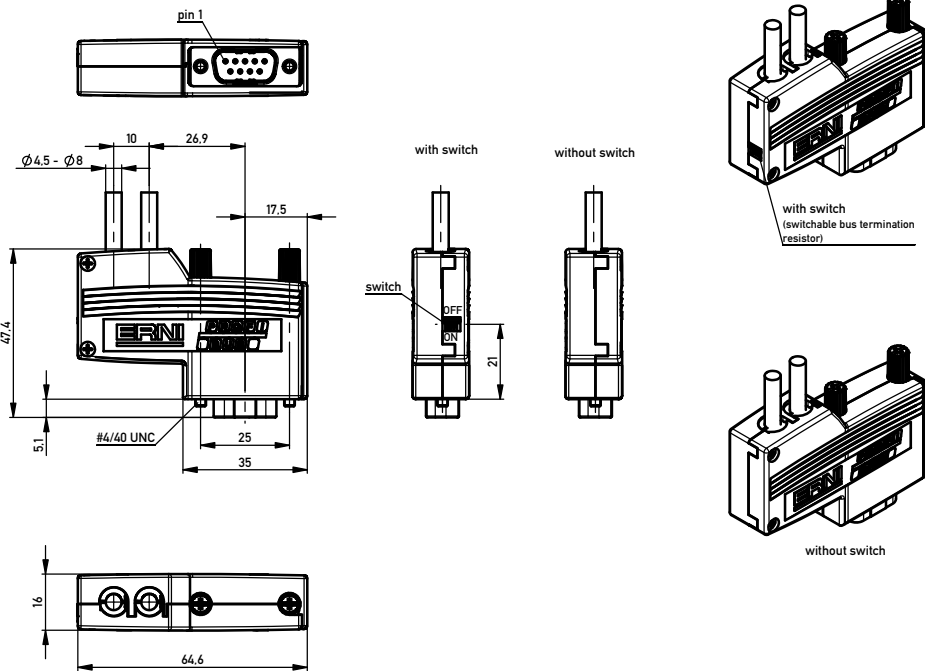
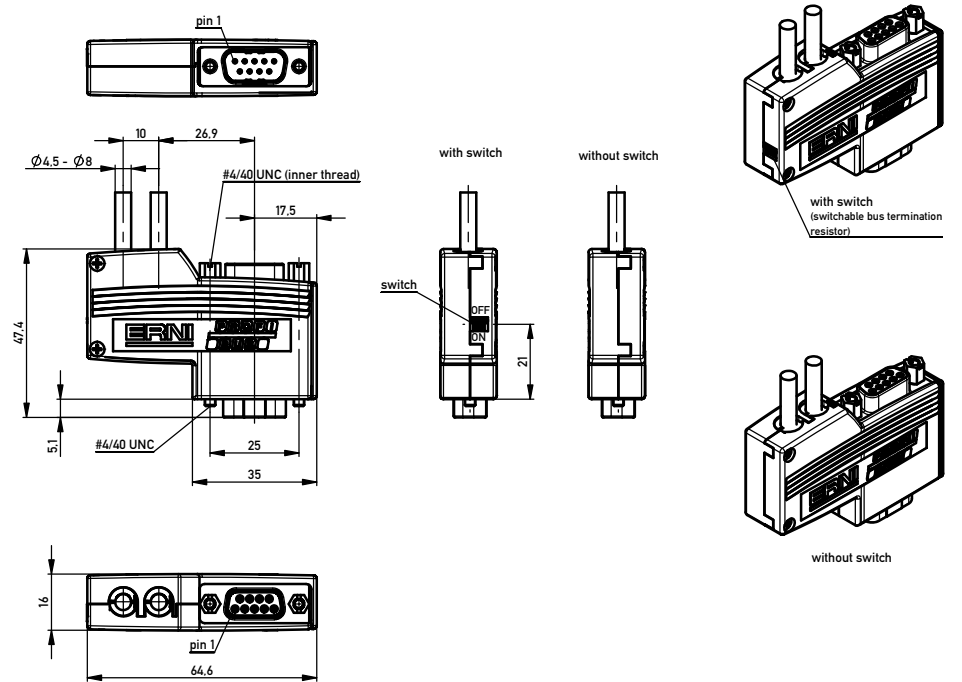


ERbic Profibus, vertical



ERbic Profibus with PU interface, vertical



134278	Switch	without	IDC terminal 2x2 pin	pebble grey	A- and B Line	#4-40 UNC
103658	Node		Screw clamp 4 pin			
103659	Termination		Screw clamp 2 pin	yellow		
Part number	Type	Programming interface (PU)	Cable termination	Colour	Signals / Power supply	Fastening screw thread

154825	Switch	with	IDC terminal 2x2 pin	pebble grey	A- and B Line	#4-40 UNC
Part number	Type	Programming interface (PU)	Cable termination	Colour	Signals / Power supply	Fastening screw thread

Notes:

1. Operating temperature: -20°C / +70°C
2. Protection class: IP40
3. Sealing plate: Drawing number 103356.

Information:	Tolerances	Scale 1:1	Designation
All rights reserved. Only for Information. To ensure that this is the latest version of this drawing, please contact one of the ERNI companies before using.	Subject to modification without prior notice. Drawing will not be updated.	All Dimensions in mm	Angaben zu entsprechender Ident-Nr. siehe Fertigungsunterlagen. For further information about I.D. number see manufacturing document.
			ERNI www.ERNI.com
Index	Date	Class	ERbic

ERbic vertical Profibus
General plan

324263

I
A2