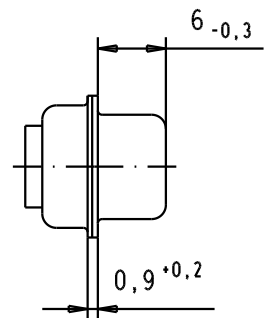
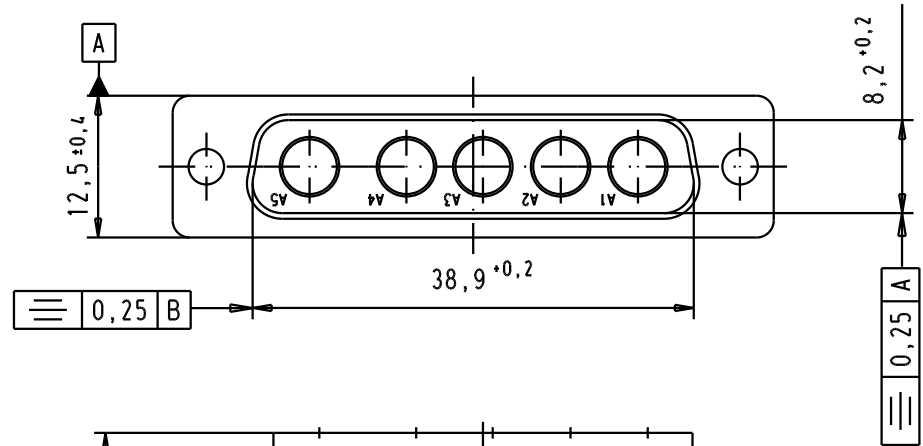
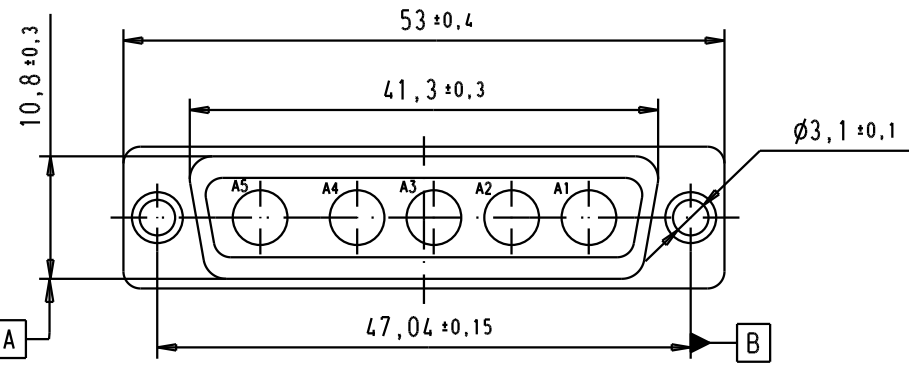
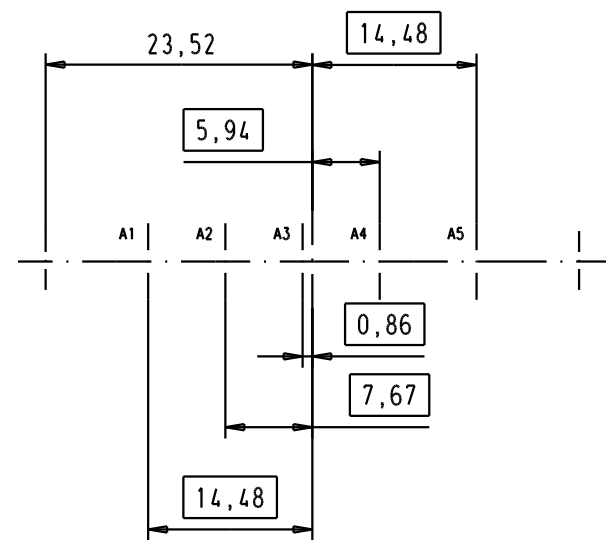
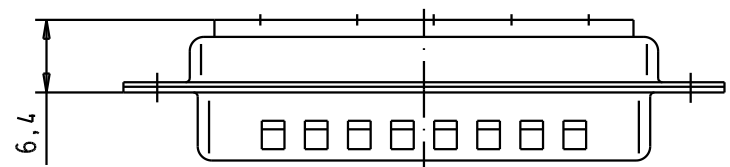


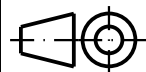

5 4 3 2 1



PCB layout hole, component side



A

09 69 310 0055.500	Non magnetic				Detail.	Dat.	Name	 All Dim. in mm Orig. Size DIN A 4	D-Sub, male, 5W5 without contacts, with tin plated shell with dimples.	Maßstab/ Scale 1,5:1
09 69 310 0055		32119	23/06/04	AC	Insp.					
Part number		31519	03/07/03	TCP	Stand.				TB 09 69 310 0055	Blatt/ Page 1 / 1
		29742	12/11/01	AF						
		Mod.	Dat.	Name	HARTING EURL F-95972 Paris					