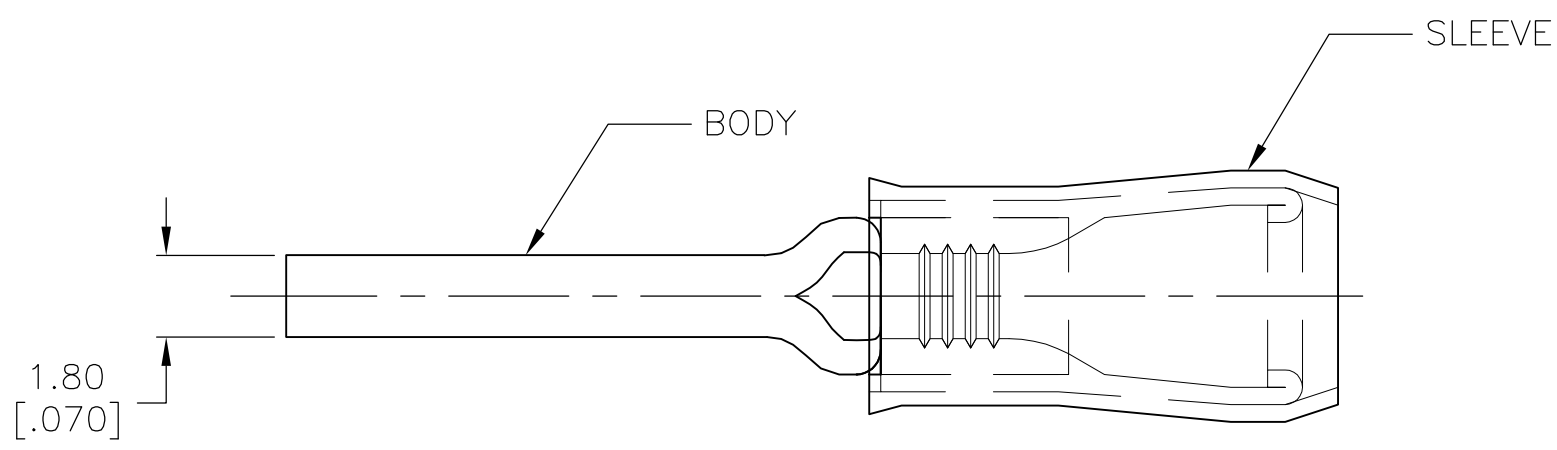


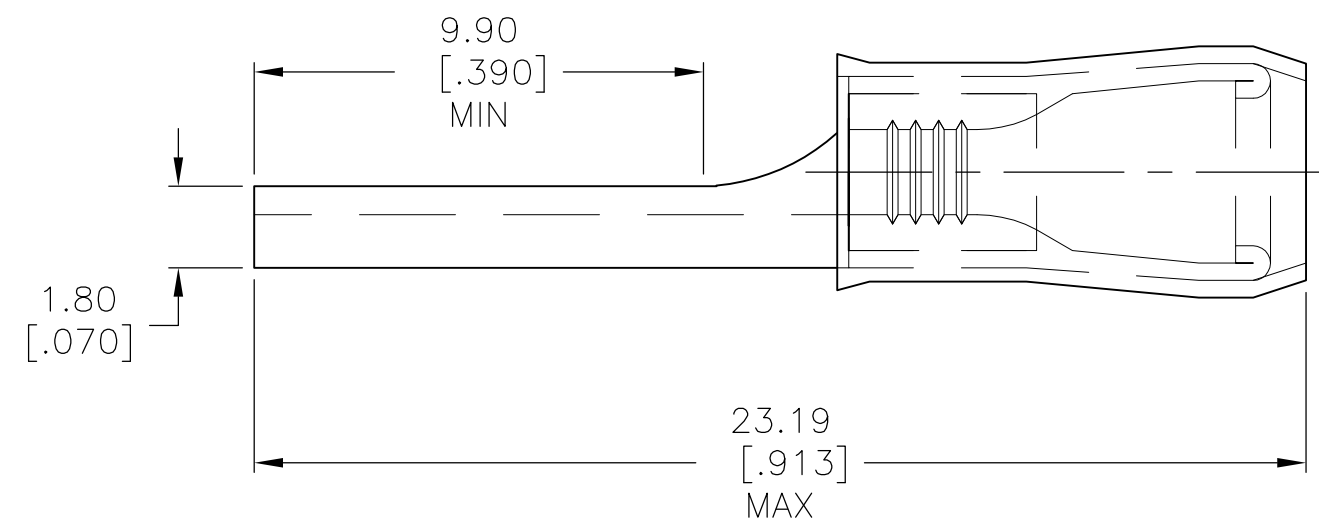
THIS DRAWING IS UNPUBLISHED. RELEASED FOR PUBLICATION
 © COPYRIGHT - By - ALL RIGHTS RESERVED.

LOC	DIST	REVISIONS					
		P	LTR	DESCRIPTION	DATE	DWN	APVD
G	14		D2	REVISED PER ECO-15-002180	17FEB2015	NK	DR



AMP WIRE RANGE	AW FILE E13288
22-16 AWG STRANDED	22-16 AWG STRANDED

- 1 WIRE INSULATION DIA.
2.67-3.56 [.105-.140] DIA.
- △ 2 MATERIAL: BODY - CU PER ASTM B152
SLEEVE - NYLON.
- △ 3 FINISH: BODY - TIN PL ASTM B545
SLEEVE - COLOR - RED.
- 4 LOOSE PIECE P/N 165168.



5000	ON TAPE	696273-2
QTY	PACKAGE TYPE	PART NO

AMP INCORPORATED
CUSTOMER SERVICE SYSTEMS

FOR ADDITIONAL PRODUCT INFORMATION OR COPIES OF DRAWINGS AND TECHNICAL DOCUMENTS
 PRODUCT INFORMATION CENTER
 1-800-522-6752

FOR APPLICATION TOOLING INFORMATION
 TOOLING ASSISTANCE CENTER
 1-800-722-1111

FOR ORDER ENTRY
 1-800-526-5142

MAX RECOMMENDED OPERATING TEMPERATURE:
 105°C [221°F]

VOLTAGE RATING:
 300V MAX

CIRCULAR MIL AREA:
 0.25-1.6mm² [493-3158] STRANDED

THIS DRAWING IS A CONTROLLED DOCUMENT.

DIMENSIONS: mm [INCHES]

TOLERANCES UNLESS OTHERWISE SPECIFIED:

0 PLC	± -
1 PLC	± -
2 PLC	± 0.20 [.008]
3 PLC	± -
4 PLC	± -
ANGLES	± -

MATERIAL △ 2

FINISH △ 3

DWN JR RUTH 01DEC00
 CHK T MICHELUTTI 01DEC00
 APVD T MICHELUTTI 01DEC00
 PRODUCT SPEC
 APPLICATION SPEC
 WEIGHT -

STE TE Connectivity

NAME: TERMINAL, WIRE PIN, PIDG
 WIRE SIZE, 22-16 AWG

SIZE: A3 CAGE CODE: 00779 DRAWING NO: C-696273 RESTRICTED TO: -

CUSTOMER DRAWING SCALE: 6:1 SHEET: 1 OF 1 REV: D2