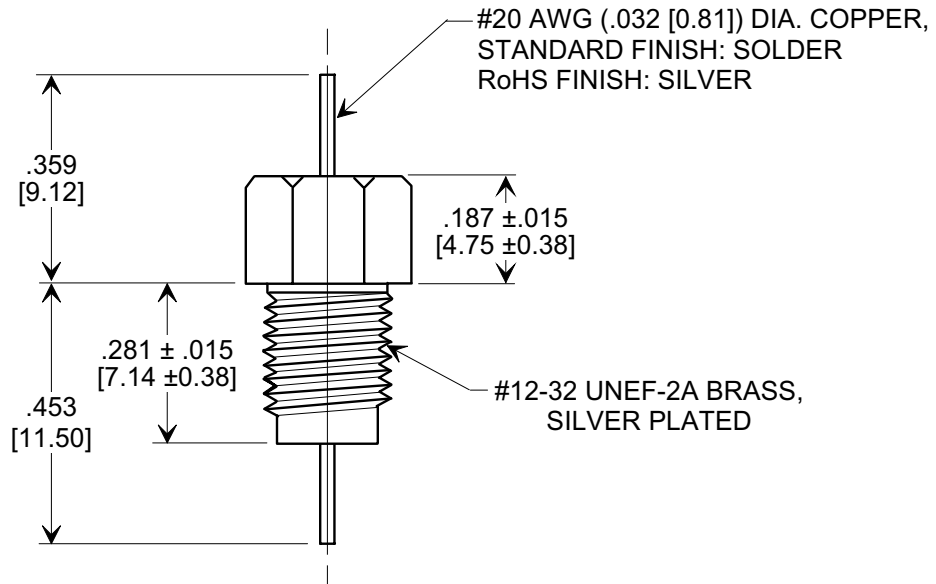
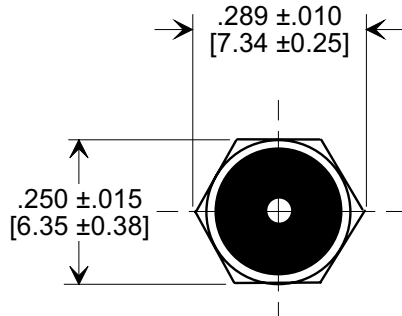
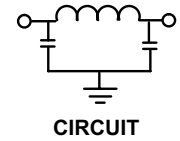
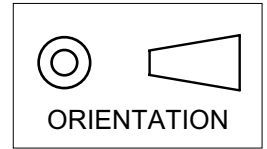


MARKETING SALES DRAWING
DIMENSIONS IN INCHES - DO NOT SCALE THIS DRAWING
DIMENSIONS IN METRIC - []

Electrical Testing
per Tusonix standard
test plans and Mil-Std-202
Test Methods.



NOTES:

- SUPPLIED WITH SILVER PLATED HEX NUT AND LOCK WASHER.
- POTTING NOT TO EXTEND BEYOND THE END OF THE BUSHING, BOTH ENDS.
- TUSONIX STANDARD PART NUMBER: 4202-036.
TUSONIX RoHS COMPLIANT PART NUMBER: 4202-036 LF.
CUSTOMER MUST SPECIFY STANDARD OR RoHS PART NUMBER WHEN ORDERING.
- PART MARKING: TRADEMARK AND VARIATION NUMBER ON HEX FLATS.
STANDARD PART: BLACK INK. RoHS PART: GREEN INK.

CAP. (pF)	WORKING VOLTAGE (VDC)		CURRENT (Idc)	I.R. MIN. @ 100 (VDC.)	DWV (VAC)	MINIMUM NO LOAD INSERTION LOSS (dB) AT 25°C PER MIL-STD -220			
	85°C	125°C				10 MHz	100 MHz	1 GHz	10 GHz
5500 MIN.	200	100	10 A	10 G	300	20	68	70	70

X-2015 Rev-0 REVISION RECORD Original Release C.O. 19980915-2-01 ADDED NOTES 3, 4, METRIC, IR & DWV. S.M. 05-19-05 20050503-6-20	0	--TOLERANCES-- Unless Otherwise Specified DECIMAL ± .031 [0.75] ANGLES ±	Title BUSHING STYLE EMI FILTER	
	TUSONIX TUCSON, ARIZONA		Drawn S.M. 09-17-98	Scale 3 X
			Approved J.Mc. 09-17-98	
	A		4202-036	