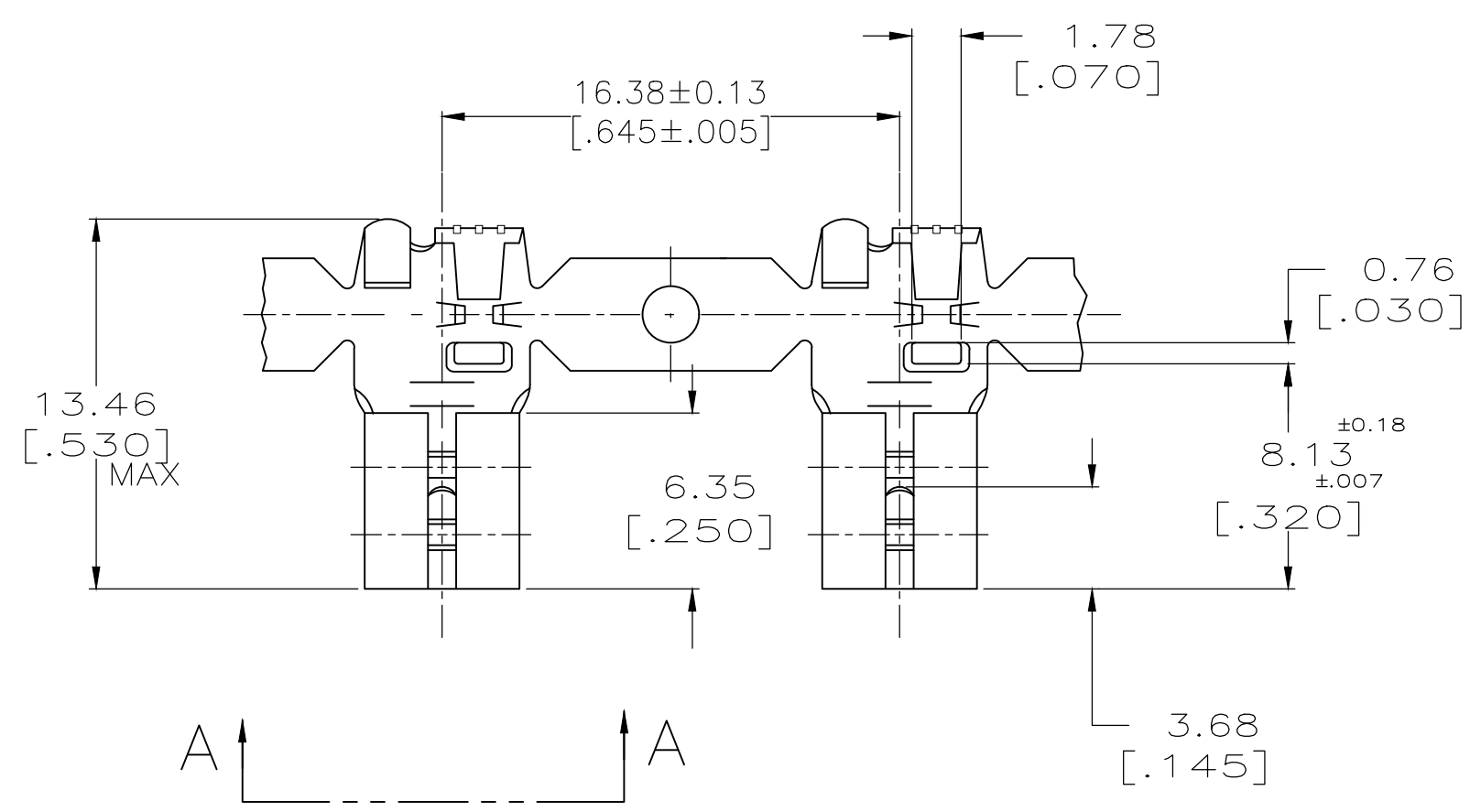
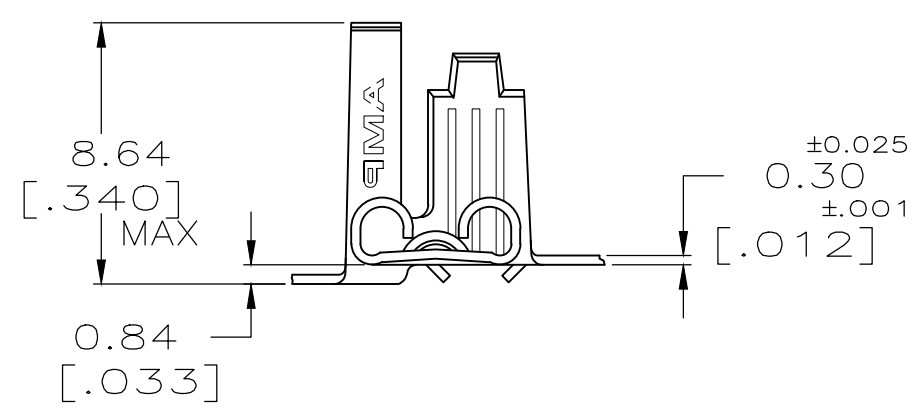
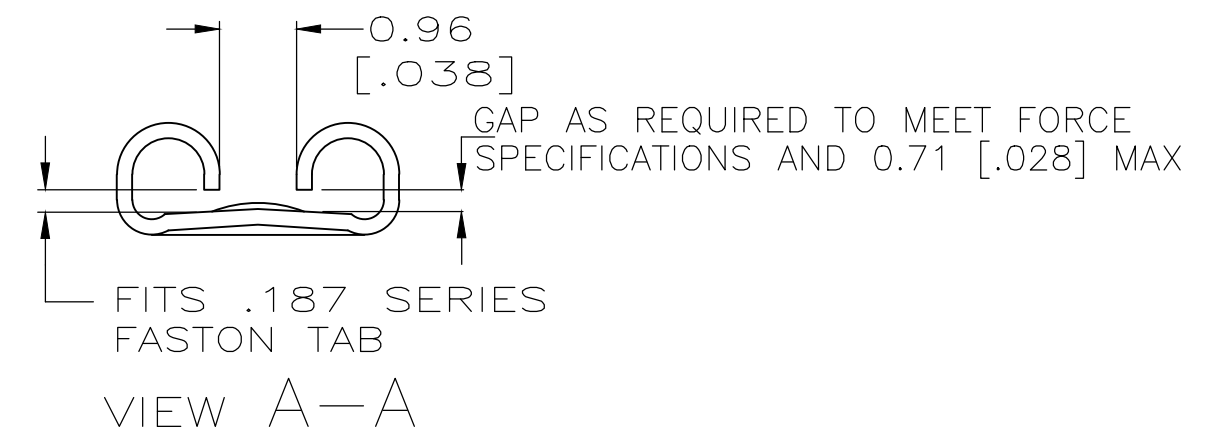


THIS DRAWING IS UNPUBLISHED. RELEASED FOR PUBLICATION  
 © COPYRIGHT - By - ALL RIGHTS RESERVED.

LOC	DIST	REVISIONS			
P	LTR	DESCRIPTION	DATE	DWN	APVD
AF	50	L1	REVISED PER ECR-20-009164	28JUL2020	MK DH



- 1 CONTINUOUS STRIP ON REELS
- △3 SILVER PL 0.00381 [.000150] MIN THK.
- 4 WIRE SIZE IS 0.5-1.4mm [20-16] AWG
- 5 INSULATION RANGE IS 2.79-4.32 [.110-.170] DIA.
- 6 MATING TAB THK IS 0.84-0.76 [.033-.030].
- △7 PRELIMINARY - NOT FOR PRODUCTION
- 8 PACKAGE ON TRAVERSE REELS 12,000 PCS PER REEL WITH INTERLEAVING PAPER



--	△7 62591-2
△3	62591-2
TIN	62591-1
FINISH	PART NO

THIS DRAWING IS A CONTROLLED DOCUMENT.		DWN	JR RUTH	7/23/91	<b>STE</b> TE Connectivity		
DIMENSIONS: mm [INCHES]		CHK	MS FEHER	7/23/91			
TOLERANCES UNLESS OTHERWISE SPECIFIED:		APVD	D REINER	7/23/91	NAME		
0 PLC ± - 1 PLC ± - 2 PLC ± 0.38 [.015] 3 PLC ± - 4 PLC ± - ANGLES ± -		PRODUCT SPEC		RECEPTACLE, FASTON, 4.75 [.187] SERIES			
MATERIAL: BRASS		FINISH: SEE TABLE		APPLICATION SPEC		RESTRICTED TO	
		WEIGHT: -		SIZE	CAGE CODE	DRAWING NO	
		CUSTOMER DRAWING		A3	00779	C-62591	
		SCALE: 4:1		SHEET: 1 OF 1		REV: L1	