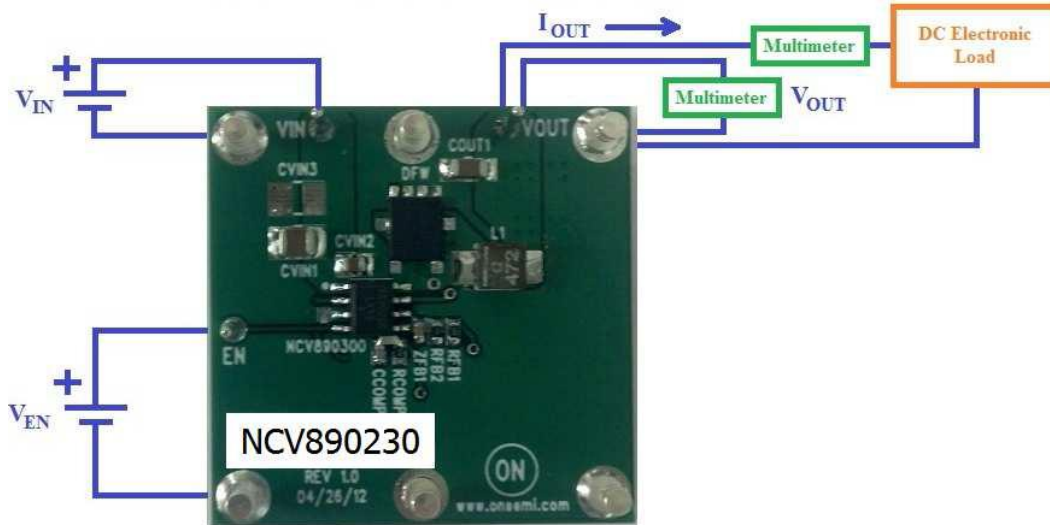




Test Procedure for the NV890230PDR2GEVB Evaluation Board



Required Equipment

- 2 x DC voltage source
- 1 x DC electronic load
- 2 x Multimeters

Test Procedure:

1. Connect the test setup as shown above.
2. Make sure the load is not enabled.
3. Apply enable voltage $V_{EN}=0V$. Apply an input voltage, $V_{IN} = 13.2 V$. *V_{OUT} should be 0V.*
4. Apply enable voltage $V_{EN}=3V$. Verify that the *output voltage is 3.3 V +/-0.15 V.*
5. Set up the **load to 2A** and **enable** it. Verify that the *output voltage is still 3.3 V +/-0.15 V.*
6. Change the **input voltage to 36 V**. Verify that the *output voltage is 0 V.*
7. Change the **input voltage to 6 V**. Verify that the *output voltage is 3.3 V +/-0.15 V.*
8. Change the **input voltage to 3.9 V**. Verify that the *output voltage is 0 V.*
9. Change the **input voltage to 6 V**. Verify that the *output voltage is 3.3 V +/-0.15 V.*
10. Apply an enable voltage $V_{EN}=0V$. *V_{OUT} should be 0V.*
11. Turn off the DC sources.