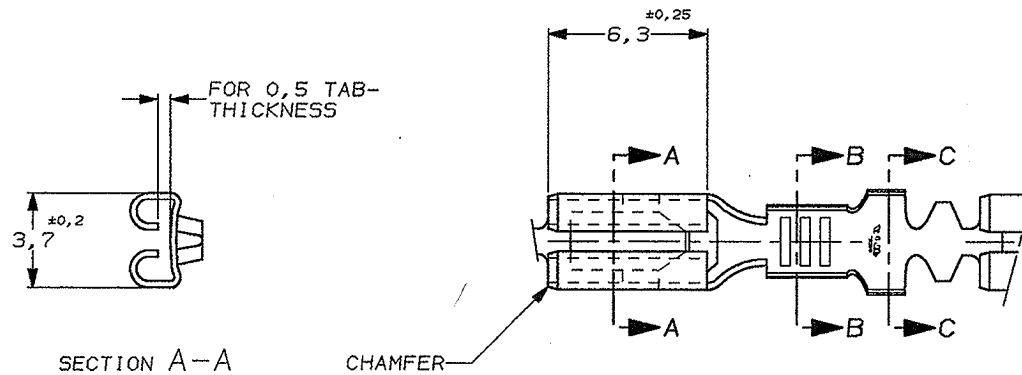


DO NOT SCALE
DIMENSIONS IN mm

METRIC

THIRD ANGLE
PROJECTION

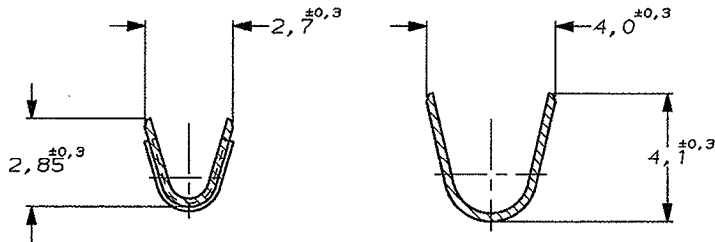
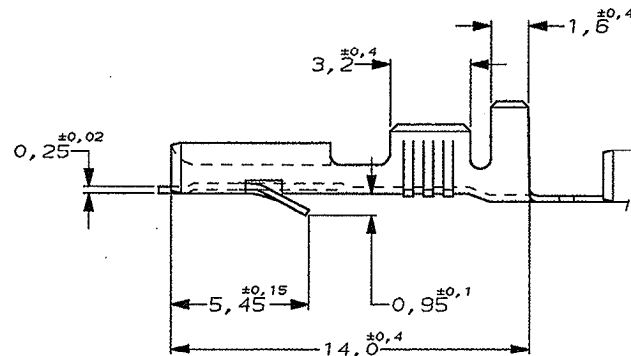
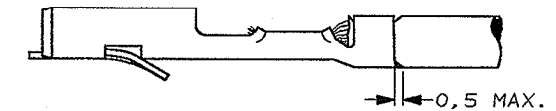
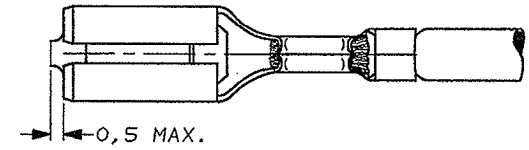


SECTION A-A

CHAMFER

NOTES:

- ⚠ FOR USE ON MINIATURE APPLICATORS (LEFT-RIGHT FEED).
- ⚠ FOR USE ON MINIATURE APPLICATORS (LEFT-RIGHT FEED; AMP-O-MATOR APPLICATION).
- ⚠ REELED WITH PAPERCOVER.
- ⚠ OBSOLETE PARTS: OBSOLETE CIS STREAMLINING PER D.RENAUD/D.SINISI



SECTION B-B

SECTION C-C

WIRE RANGE :
0,5-1,0 mm²
INSULATION RANGE :
2,0-3,0 DIA.

⚠ OBSOLETE OBSOLETE	SILVERPLATED	PHOSPHORBRONZE	1	160684-9	W
	SILVERPLATED	BRASS	1	160684-8	W
	PRE-TIN	BRASS	1 3	160684-7	W
	PRE-TIN	BRASS	1	160684-4	W
	UNPLATED	BRASS	1	160684-3	W
	PRE-TIN	PHOSPHORBRONZE	1 2	160684-2	W
	⚠ OBSOLETE	UNPLATED	PHOSPHORBRONZE	1	160684-1

				FINISH		MATERIAL		PARTNUMBER		REV
-	-	-	-	-	-	-	-	-	-	-
W3	PART STATUS UPDATED	PKS	RRP	14MAR13	CUSTOMER DRAWING					FOR REFERENCE ONLY WILL NOT BE UPDATED
W2	ECR-10-022530	KK	HMR	03FEB11	© COPYRIGHT 19- BY TE HOLLAND B.V. ALL INTERNATIONAL RIGHTS RESERVED. TE PRODUCTS MAY BE COVERED BY U.S. AND FOREIGN AND/OR PATENTS PENDING.					
W1	REVISED PER ECO-10-000444	KK	AEG	09JAN10	THIS DRAWING IS UNPUBLISHED RELEASED FOR PUBLICATION					
W	ECR-05-003026	HY	GT	06 OCT 05	TE Connectivity					
L	EH-1513-98	D.K.	A.B.	24 SEP 98	NAME					
K	EH-0791-97	D.K.	R.V.	21 JUL 97	.110 SER. FASTIN-ON RECEPTACLE					
LTR.	REVISION RECORD	DR.	CHK.	DATE						

DR. : D. KESSLER	CHK. : R. VOS	APP. : -	DWG. No. : C-160684	A3	SHEET : 1 OF 1	REV. : W3
DATE : 21 JUL 97	DATE : -	DATE : -				