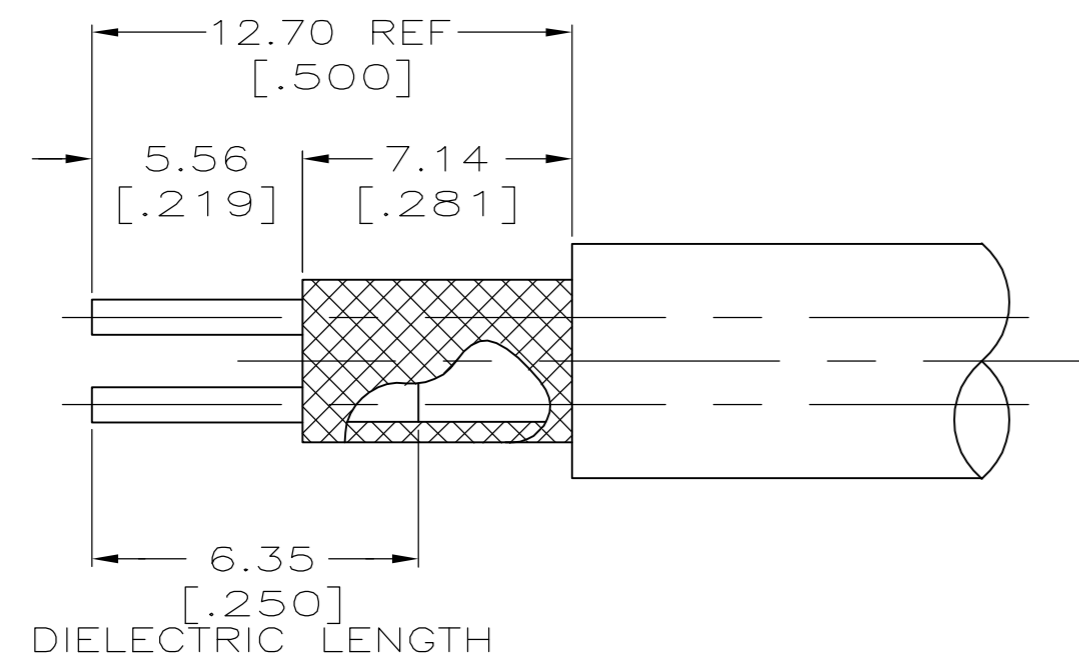


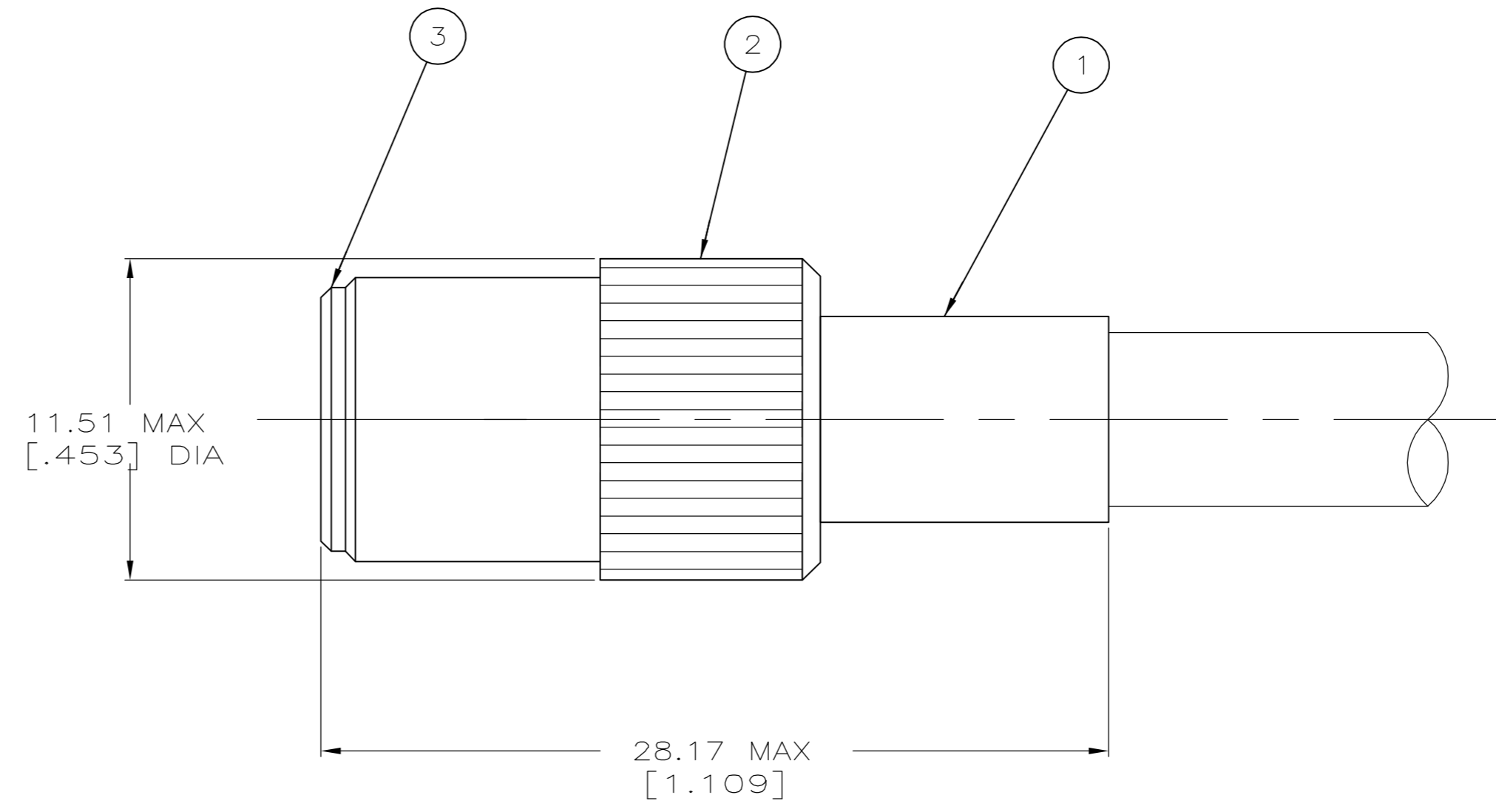
THIS DRAWING IS UNPUBLISHED. RELEASED FOR PUBLICATION
 © COPYRIGHT BY TYCO ELECTRONICS CORPORATION. ALL RIGHTS RESERVED.

LOC	DIST	REVISIONS					
AJ	16	P	LTR	DESCRIPTION	DATE	DWN	APVD
		F		REV PER ECO-07-001479	29JAN07	PY	RG

1. PARTS PACKAGED UNASSEMBLED
2. CRIMP TOOL: 69311-1
3. SEE I.S. 1833



RECOMMENDED STRIP LENGTH



SUPERSEDED BY 2-329945-3	BELDEN 8762	225687-5
SUPERSEDED BY 2-329944-3	BELDEN 8451,8641 & 8761	225687-4
	RG-108/U,108A/U AND BELDEN 8759	225687-2
	CABLE SIZE	PART NUMBER

THIS DRAWING IS A CONTROLLED DOCUMENT.		DWN B.SCOTT 06-25-91	Tyco Electronics Corporation Harrisburg, PA 17105-3608	
DIMENSIONS: INCHES		CHK G.MICHAEL 02/05/93		
TOLERANCES UNLESS OTHERWISE SPECIFIED:		APVD J.DAVIS 02/05/93	NAME RECEPTACLE, THREADED, TWIN SERIES	
0 PLC ± -	1 PLC ± -	PRODUCT SPEC -	SIZE A2	CAGE CODE 00779
2 PLC ± 0.41 [.016]	3 PLC ± -	APPLICATION SPEC -	DRAWING NO C=225687	RESTRICTED TO -
4 PLC ± -	ANGLES ± -	WEIGHT -	SCALE 5:1	SHEET 1 of 1
MATERIAL -	FINISH -	CUSTOMER DRAWING	REV F	