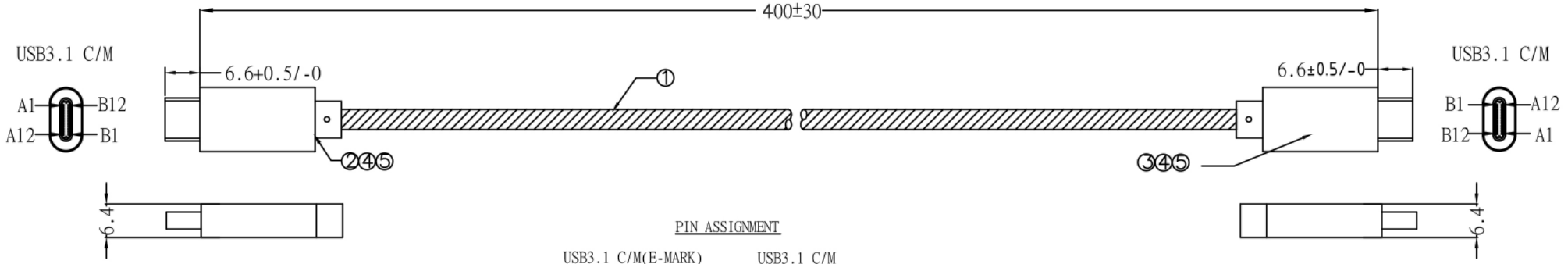
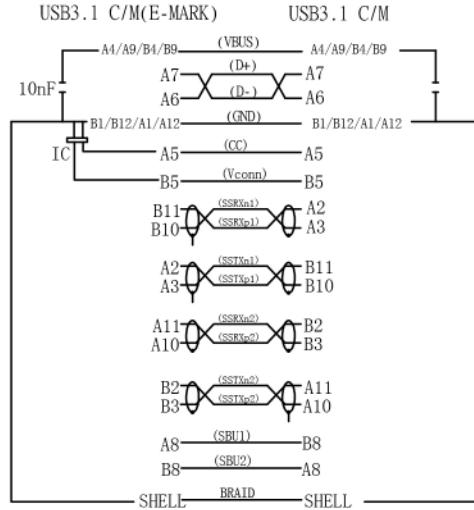


REV. 版本	Change NO. 变更单号	Change Description 变更说明	Date 日期	Approved 核准
A0		NEW		



PIN ASSIGNMENT



—: ELECTRICAL TEST:
1. 100% open short & miss wire test;

5	shell	Aluminum alloy casing, L:25*W:12.3*H:6.4mm	2	PCS
4	PVC	45P PVC BLACK	10	g
3	TYPE C	USB3.1 Type C Male Connector, Pin Plated, Shell Nickel Plated, Insulator	1	PCS
2	TYPE C	USB3.1 Type C Male Connector, Pin Plated, Shell Nickel Plated, With E-mark. Black Insulator	1	PCS
1	cable	(1P*32#+AM)*4P+1P*32#+4C*32#+2C*22#+AL+B(96/0.08TC)+TPE+NYLON OD:5.0mm	1000	mm

ITEM NO. (客户型号)		Customer (客户)			
DESCRIPTION (产品描述)	USB3.1 C/M TO USB3.1 C/M	REV. (版本)	A0	FILE/N(档号)	SG-093
MATERIAL NO. (物料编码)	01.06.0001	PAGE(页数)	1 OF 1	APPRO(核准)	
Oyen Digital LLC		UNIT(单位)	mm	CHECK(审核)	
		SCALE(比例)	NONE	DRAWN(绘图)	丁恒双
		PROJECTION(投影)	☉	DATE(日期):	2019.7.20

序號/NO. 品名/Name 物料规格/Specifications 数量QT' Y 单位/UNIT