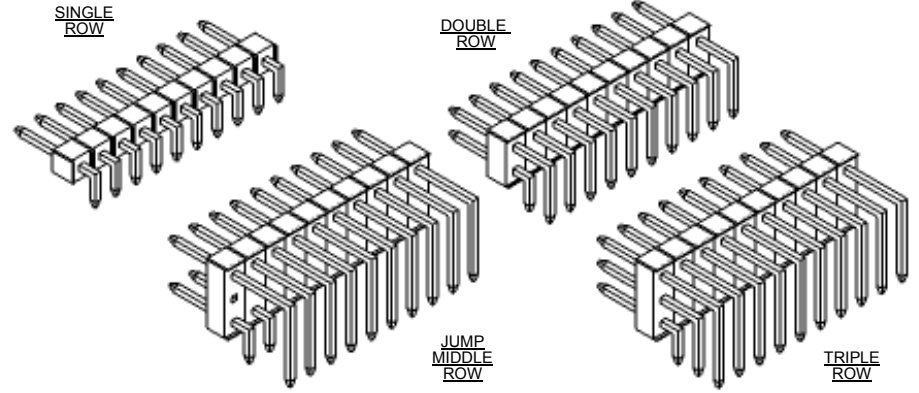
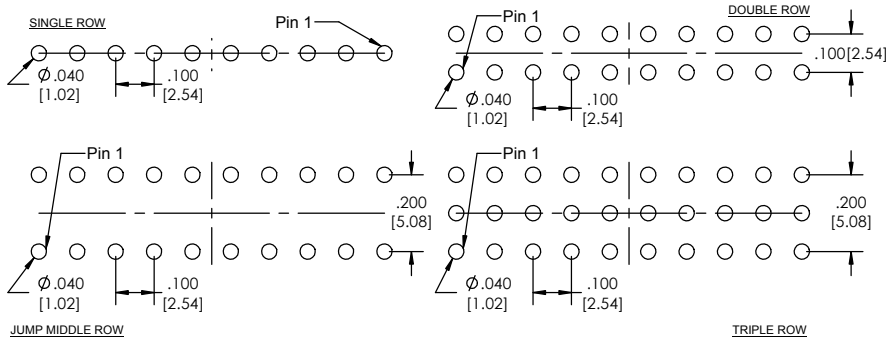


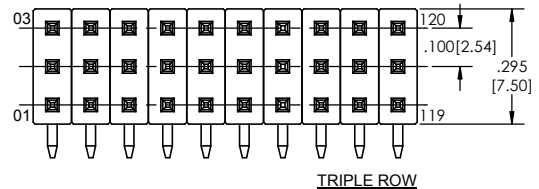
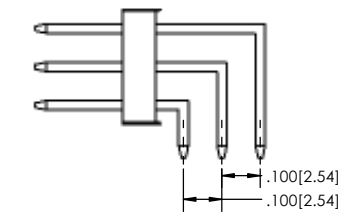
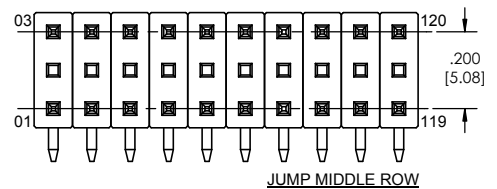
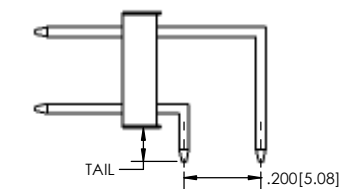
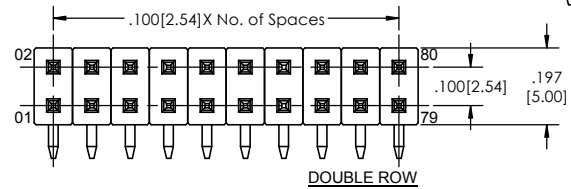
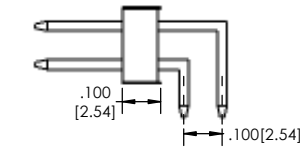
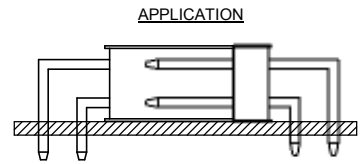
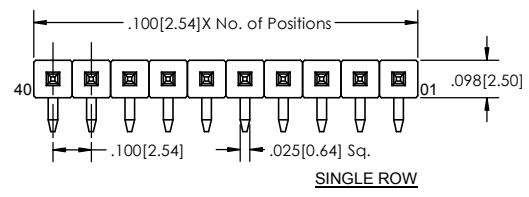
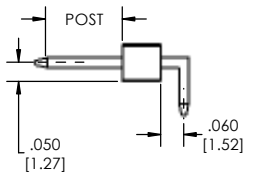
Recommended P.C. Board Layout
SCALE 4:1



LTSHR-1 [XX] - [X] - [XX] - [X] - [XX] - [XX] - [XXX] - [X] - [LF]
(A) (B) (C) (D) (E) (F) (G) (H) (I)

- A. Pins Per Row
 - 1 through 40
- B. Row Specification
 - S= Single Row
 - D= Double Row
 - J= Jump Middle Row
 - T= Triple Row
- C. Pin Options
 - See Pin Options below
- D. Desired Post Height
 - A= .230[5.84]
 - B= .318[8.08]
- E. Plating Options
 - See Plating Options below
- F. Lock Tight "LT" (Optional)
 - Leave blank if not needed
 - LT= With
- G. Polarized Position
 - Leave blank if not needed
 - If required, specify empty pin position
 - e.g. 012 for Pin 12
- H. Every Other Pin Filled (.200 Centers)
 - Leave blank if not needed
 - E= Filled
- I. Lead Free

Males with:
BCSS.
BSSH.
BSSHC.
BSSQ.
BSSQC.
BSSQM.
LBCSS.
LSMBC.
LSWSS.
SMBC.
SSHQ.
SSHQR.
SSHR.
SSHS.
SSHSM.



Plating options	
G	-10µ Gold on Contact Area/ Flash on Tail
T	-Matte Tin all Over
GT	-10µ Gold on Contact Area/ Matte Tin on Tail
H	-30µ Gold on Contact Area/ Matte Tin on Tail
F	-Gold Flash over Entire Pin
FT	-Gold Flash on Contact Area/ Matte Tin on Tail

Pin Options	Pin Options	
	Tail With .230 Post	Tail With .318 Post
	.110[2.79mm]	N/A
	.210[5.33mm]	.122[3.10mm]
	.310[7.87mm]	.222[5.64mm]
	.410[10.42mm]	.322[8.18mm]
	.510[12.95mm]	.422[10.71mm]
	.610[15.49mm]	.522[13.26mm]
	.710[18.03mm]	.622[15.80mm]
	.810[20.57mm]	.722[18.34mm]
	.910[23.61mm]	.822[20.88mm]
	1.010[25.65mm]	.922[23.42mm]
	1.110[28.19mm]	1.022[25.96mm]

Specifications:
Current Rating: 3.0 Ampere
Insulation Resistance: 1000M Ohms Min.
Dielectric Withstanding: 600V AC
Contact Resistance: 20M Ohms Max.
Operation Temperature: -55°C to +125°C
Max. Process Temperature
Peak: 260°C up to 20 secs.
Process: 230°C up to 60 secs.
Wave: 260°C up to 6 secs.
Manual Solder: 350°C up to 5 secs.

Materials:
Contact Material: Phosphor Bronze
Insulator Material: Nylon 6T
Plating: Au or Sn over 50µ" (1.27) Ni

Tails may be clipped to achieve specific dimensions.
Products cut to specific sizes are uncancellable/ nonreturnable.
Parts are subject to change without notice.



PROPRIETARY AND CONFIDENTIAL
THE INFORMATION CONTAINED IN THIS DRAWING IS THE SOLE PROPERTY OF Major League Electronics. ANY REPRODUCTION IN PART OR AS A WHOLE WITHOUT THE WRITTEN PERMISSION OF Major League Electronics IS PROHIBITED.

UNLESS OTHERWISE SPECIFIED:		NAME		DATE	
DRAWN		EOW		01/16/14	
CHECKED		GWE		01/16/14	
ENG APPR.					
MFG APPR.					
ADDRESS:		2533 Centennial Blvd.		TITLE: LTSHR-1 SERIES	
INTERPRET GEOMETRIC TOLERANCING PER:		Jeffersonville, IN 47130		SIZE DWG. NO.	
MATERIAL:		Phone: 812-670-4174		C	
FINISH:		Fax: 812-670-4175		A	
NEXT ASSY USED ON:		E-Mail: mle@mlelectronics.com		SCALE: 4:1	
APPLICATION:		DO NOT SCALE DRAWING		SHEET 1 OF 1	

