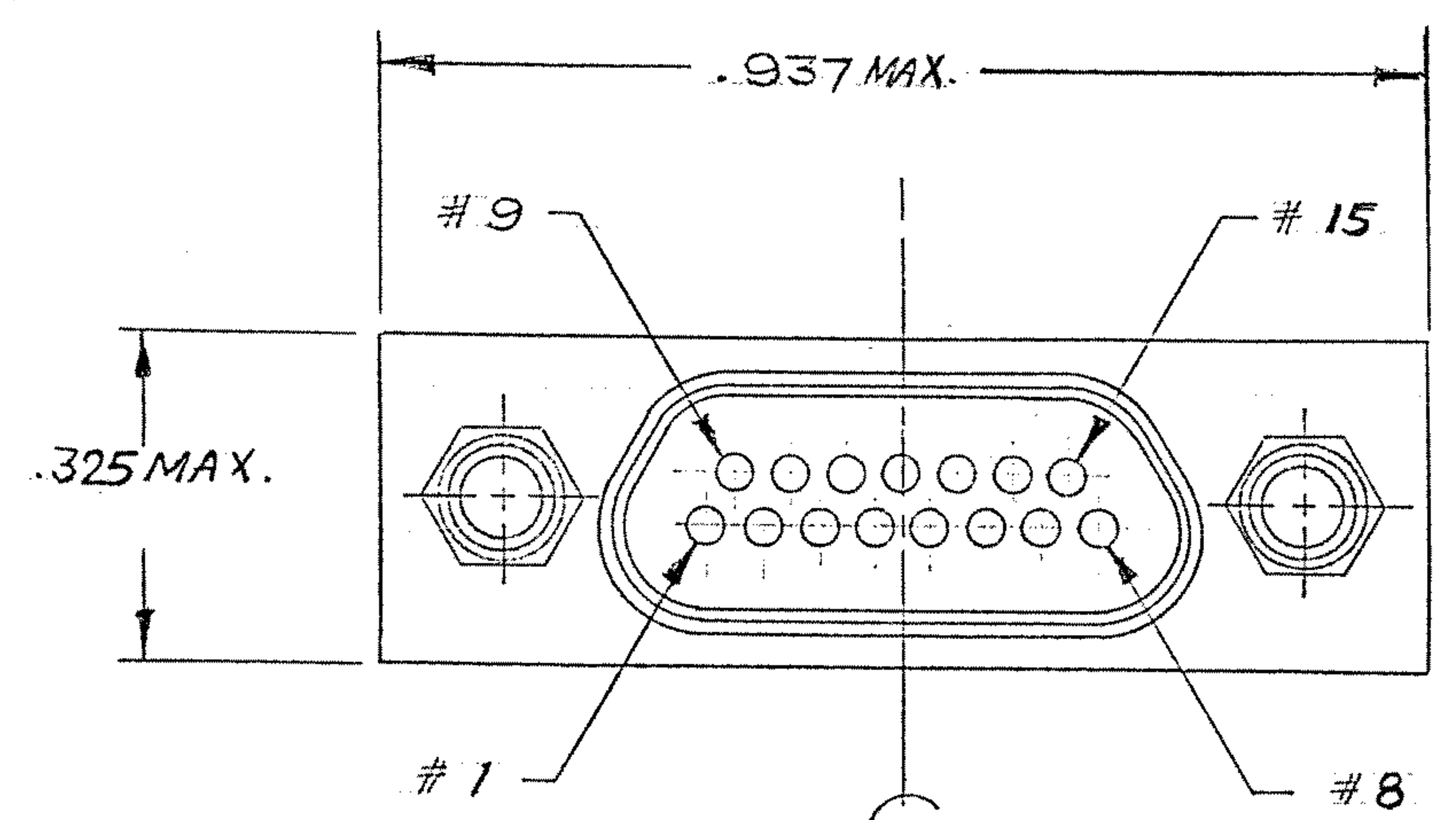
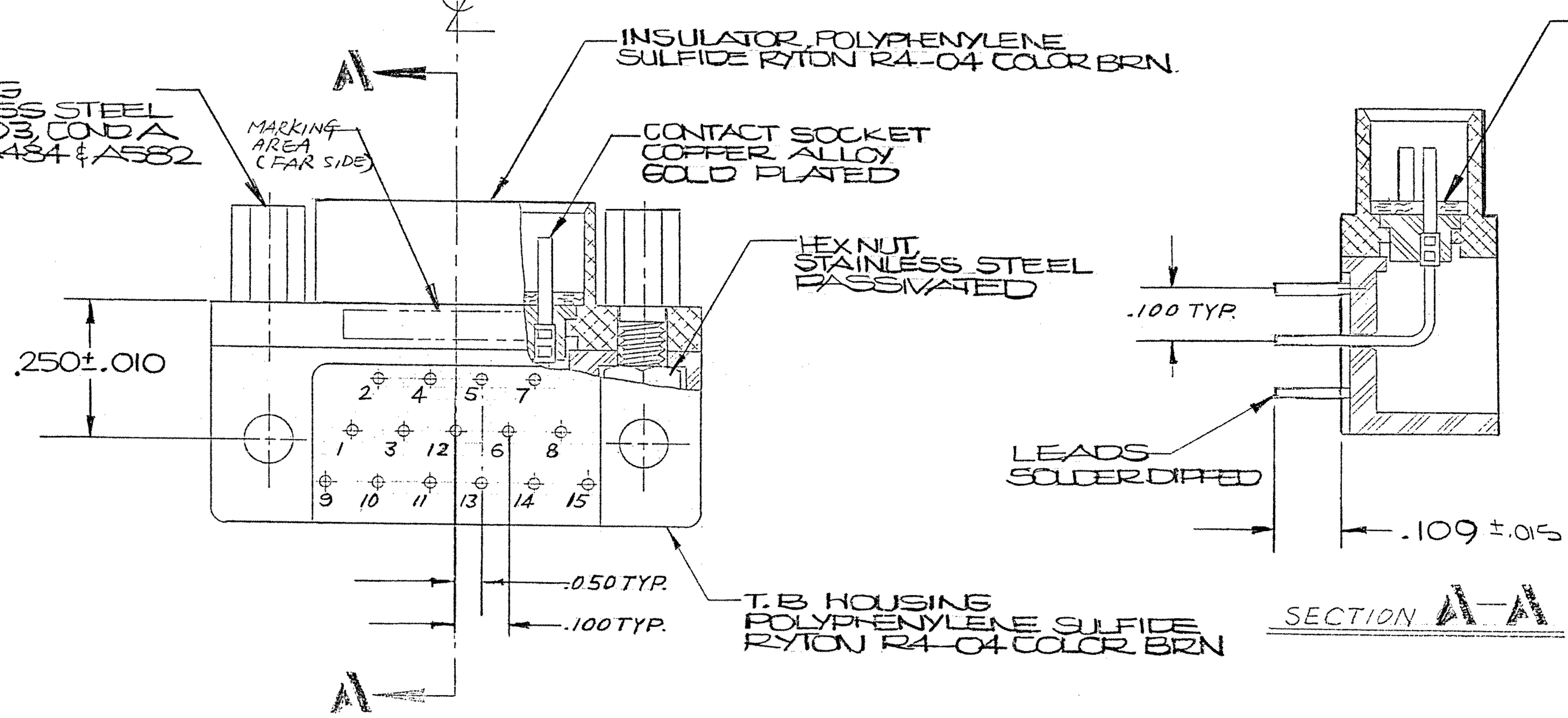


REVISIONS					
ZONE	LTR	DESCRIPTION	DATE	ENG	APPROVED
	D1	Update Per ECO-11-016360	8/10/11	PJS	CEP



BUSHING
STAINLESS STEEL
TYPE 303, CONDA
ASTM A484 & A582



INSULATOR, POLYPHENYLENE SULFIDE RYTON R4-04 COLOR BRN.

CONTACT SOCKET
COPPER ALLOY
GOLD PLATED

HEX NUT,
STAINLESS STEEL
PASSIVATED

T.B. HOUSING
POLYPHENYLENE SULFIDE
RYTON R4-04 COLOR BRN.

INTERFACIAL SEAL
FLUOROSILICONE
RUBBER, COLOR BLUE

LEADS
SOLDER DIPPED

SECTION A-A

QTY REQD	CODE IDENT	PART OR IDENTIFYING NO.	NOMENCLATURE OR DESCRIPTION	
PARTS LIST				
UNLESS OTHERWISE SPECIFIED DIMENSIONS ARE IN INCHES TOLERANCES ARE: FRACTIONS DECIMALS ANGLES ± .XX ± ±			CONTRACT NO.	
MATERIAL			APPROVALS	DATE
FINISH			TE Connectivity METAL SHELL 90° LO-PROFILE MCK-**P-15SRT (MIL-C-83513) 094-4206-7000	
NEXT ASSY USED ON				
APPLICATION			SIZE C CODE IDENT NO. 98278 DRAWING NO. 3-1532133-3	SHEET 1 OF 1