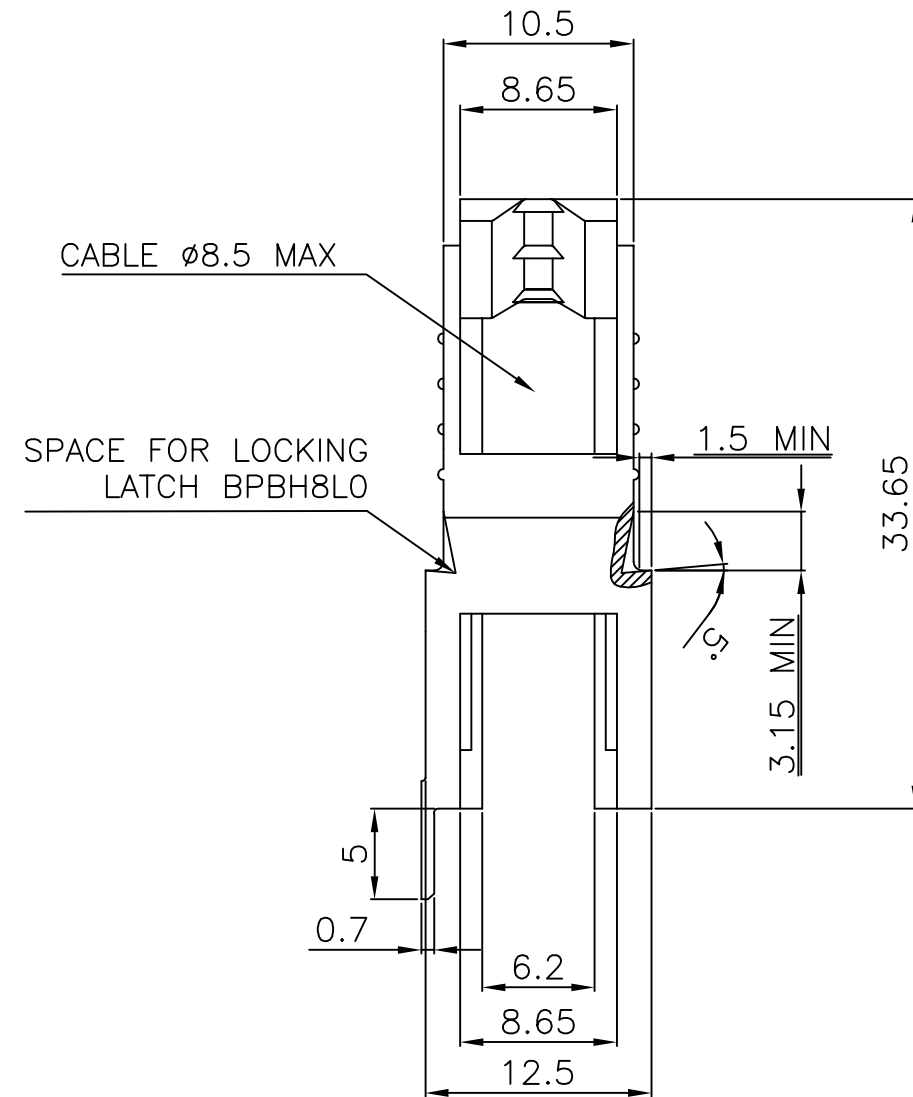
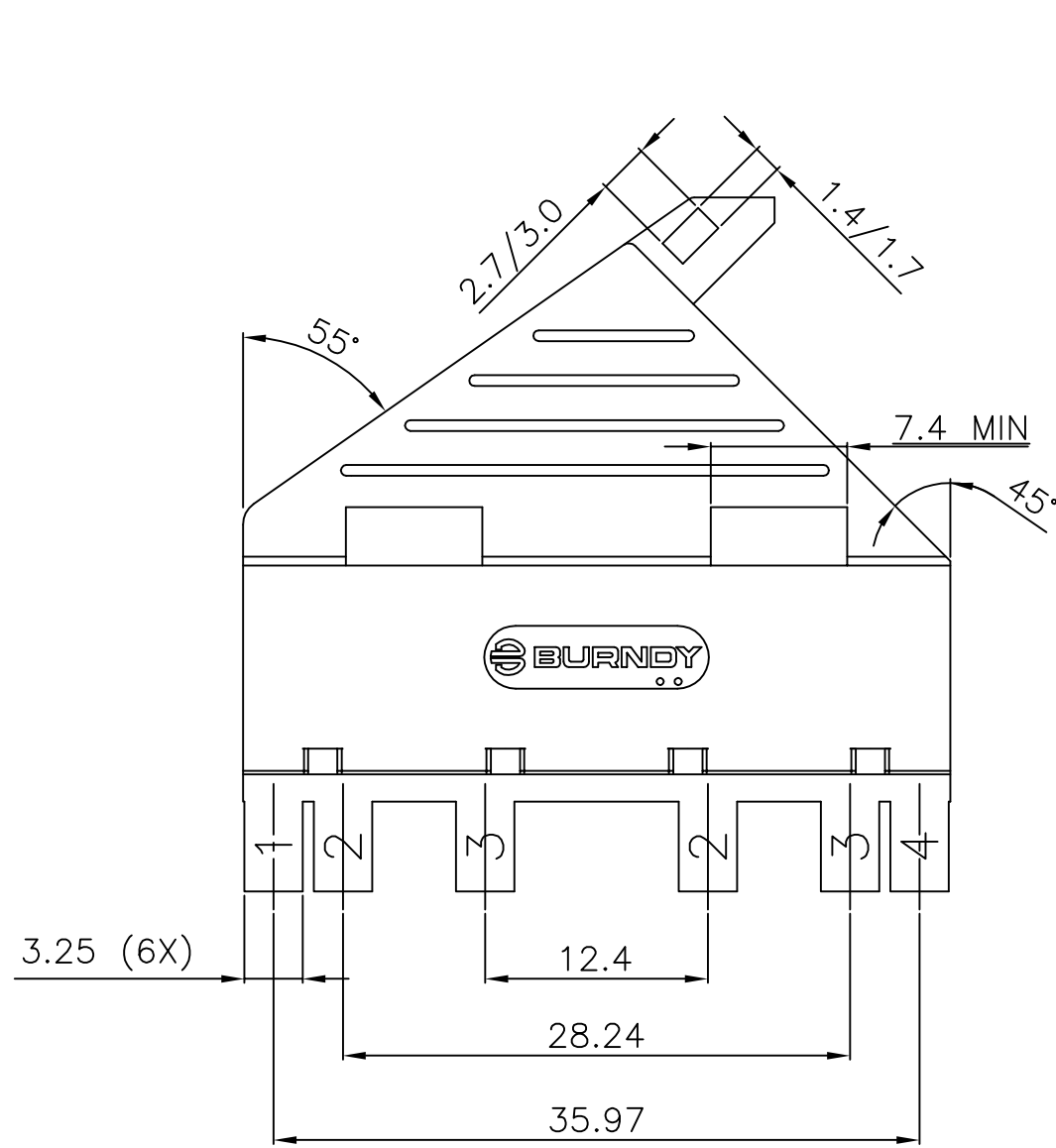


PRODUCT NUMBER  
BPBS8B42P3



NOTES:-

1. THIS PRODUCT MEETS EUROPEAN UNION DIRECTIVES AND OTHER COUNTRY REGULATIONS AS DESCRIBED IN GS-22-008.
2. LEADFREE OR RoHS DIRECTIVE LABELLING TO BE PROVIDED AS PER GS-14-920.
3. " LF " SUFFIX TO PRODUCT NUMBER FOR RoHS COMPATIBLE/ LEADFREE VERSION.
4. PARTS WITH AND WITHOUT "LF " SUFFIX ARE FORM-FIT AND FUNCTIONALLY IDENTICAL. " LF " SUFFIX PROVIDED FOR PART NUMBER STANDARDISATION OF PART THAT MEETS RoHS REQUIREMENTS.
5. MATERIAL: POLYESTER (PBTP), COLOUR: BLACK.
6. FOR ASSEMBLY (CONNECTOR & COVER) SEE DRAWING: 55358 SHEET:213

mat'l. code		surface		tolerance		projection		product family	
SEE NOTE		ISO 1302		ISO 406 ISO 1101		mm		BPS8	
ltr	ecn no	dr	date	tolerances unless otherwise specified		mm		title	
A	F10596	DLE	2001-11-19	angles	0.1±0.01	mm		COVER BPS8	
B	I05-0257	MINI	2005-11-25	linear	0.01±0.05	mm		42 POS.	
C	I06-0067	MINI	2006-06-01	±0'30'		scale 2.5:1		dwg no	
		dr		D.LEGRAND		2001-11-19		sheet 1 of 1	
		enr		J.F.NOTTEAU		2001-11-19		size	
		chr		RAKHEE GEORGE		2006-06-01		A3	
		appd		RAKHEE GEORGE		2006-06-01		type	
								Product Customer Drawing	
sheet index	revision sheet	C	1						