

## SUMMARY

### # Wires

Low voltage 2



*Image is for illustrative purpose only*

|                  |                                   |
|------------------|-----------------------------------|
| Series           | 0B                                |
| Termination type | Female print PCB                  |
| IP rating        | 50                                |
| AWG wire size    | 0.00 - 0.00                       |
| Cable Ø          | 0.00 - 0.00 mm                    |
| Status           | active                            |
| Matching parts   | <a href="#">FGG.0B.511.CLAD32</a> |

### Download

- [Request a quote](#)
- [PCB Eagle Pattern](#)
- [PCB Altium Pattern](#)
- [PCB KiCad Pattern](#)

## TECHNICAL DETAILS

### Mechanics

|                   |   |
|-------------------|---|
| Shell Style/Model | EA*: Fixed receptacle, nut fixing (back panel mounting)   |
| Keying            | 1 key (alpha=0, plug: male contacts, receptacle: female contacts)   |
| Housing Material  | Brass (chrome plated [SAE AMS 2460]) shell and collet nut, nickel plated [SAE AMS QQ N 290] brass latch sleeve and mid pieces |
| Weight            | 4.66 g  |

### Performance

|               |   |
|---------------|---|
| Configuration | 0B.511 : SPE - 2 High Speed, Low Voltage (1000BASE-T1 (IEEE 802.3bp)) |
| Insulator     | L: PEEK (UL 94 / V-0/1.5)   |
| Rated Current |   |

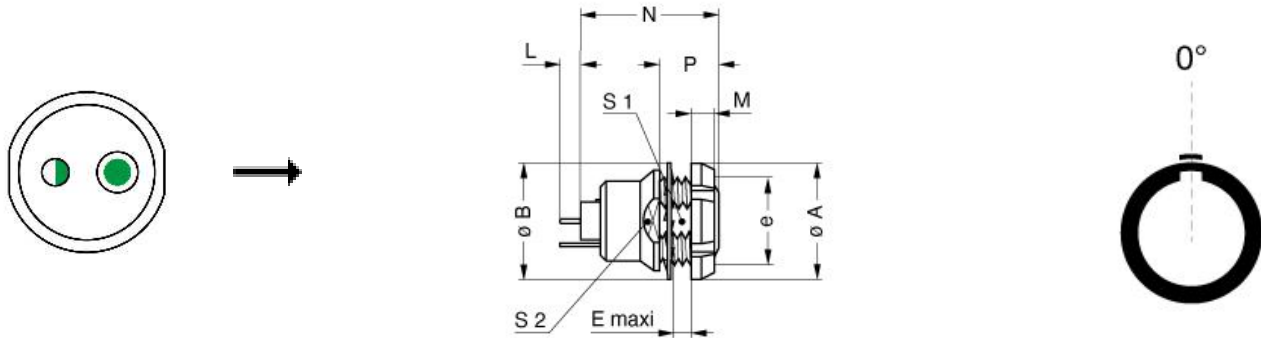
### Others

Endurance (Shell): 5000  
Temp (min / max): -55° C / +250° C  
Humidity (max): <=95% [at 60 deg C /140 F]  
Vibration: 15 g [10 Hz - 2000 Hz]

*LEMO products and services are provided "as is". LEMO makes no warranties or representations with regard to LEMO product & services or use of them, express, implied or statutory, including for accuracy, completeness, or security. The user is fully responsible for his products and applications using LEMO components.*

Shock Resistance: 100 g [ 6 ms]  
 Climatical Category: 50/175/21  
 Shielding (min): 75 dB (10 MHz)  
 Shielding (min): 40 dB (1 GHz)  
 Salt Spray Corrosion: >1000 hr

## DRAWINGS



### Dimensions

|     | A    | B    | E    | L    | M    | N    | P    | S1   | S2   | e      |
|-----|------|------|------|------|------|------|------|------|------|--------|
| mm. | 12   | 12.5 | 2.4  | 3.3  | 2.5  | 16.3 | 6.3  | 8.2  | 9    | M9x0.6 |
| in. | 0,47 | 0,49 | 0,09 | 0,13 | 0,10 | 0,64 | 0,25 | 0,32 | 0,35 |        |

## RECOMMENDED BY LEMO

### Tools

Spanner wrench: [Socket for torque wrench DCM.05.M09.4](#)

*LEMO products and services are provided "as is". LEMO makes no warranties or representations with regard to LEMO product & services or use of them, express, implied or statutory, including for accuracy, completeness, or security. The user is fully responsible for his products and applications using LEMO components.*