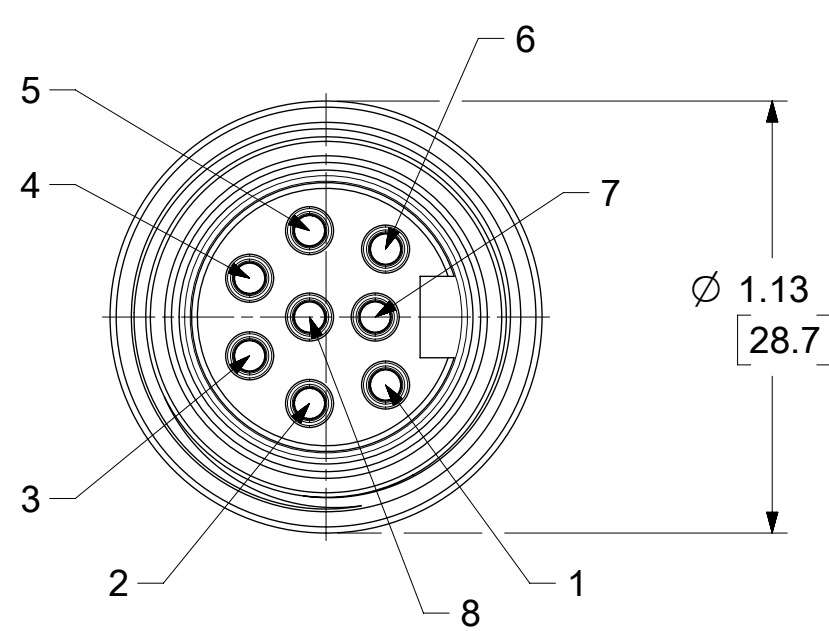
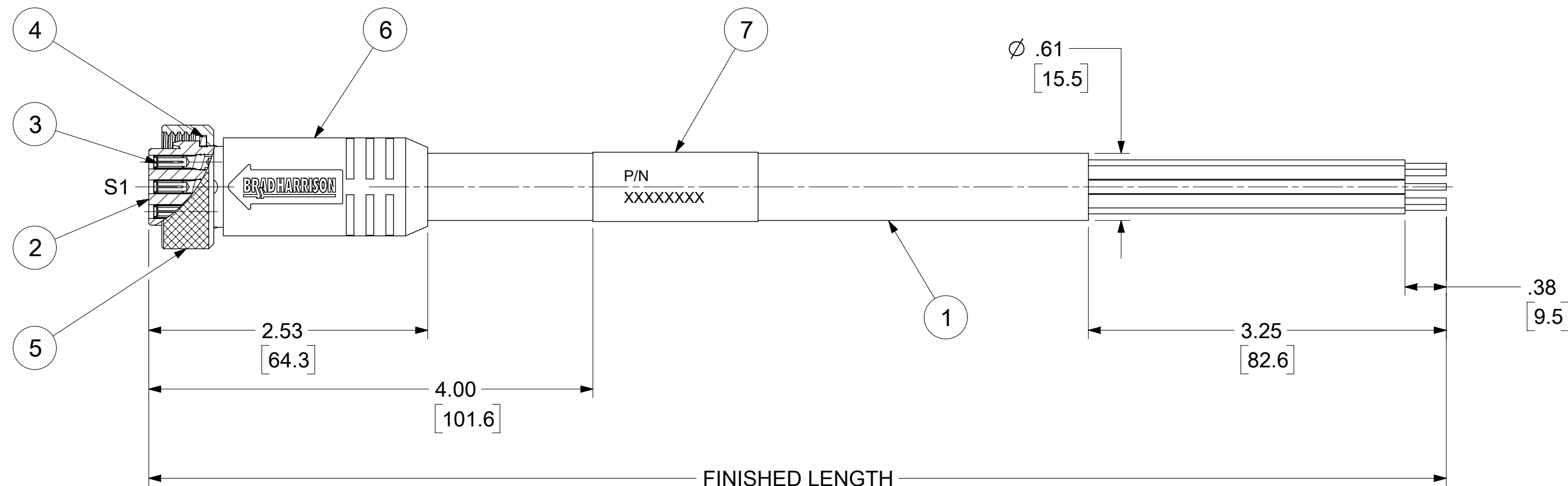


MATERIAL NO.	ENGINEERING NO.	FINISHED LENGTH
1300070140	208000A01F0301	3 FT (0.91 M)
1300070143	208000A01F0601	6 FT (1.82 M)
1300070146	208000A01F1201	12 FT (3.65 M)
1300070150	208000A01F2001	20 FT (6.09 M)

CABLE LENGTH TOLERANCES	
<.3M [1FT]:	+19mm-0 [+.75in-0]
.3 - .9M [1 - 3FT]:	+44.5mm-0 [+1.75in-0]
.9 - 1.8M [3 - 6FT]:	+55.6mm-0 [+2.19in-0]
1.8 - 3.7M [6 - 12FT]:	+88.9mm-0 [+3.50in-0]
3.7 - 7.3M [12 - 24FT]:	+165.1mm-0 [+6.50in-0]
7.3-14.6M [24 - 48FT]:	+317.5mm-0 [+12.50in-0]
14.6 - 30.5M [48-100FT]:	+622.3mm-0 [+24.50in-0]
OVER 30M [100FT]:	+2% OF FINISHED LENGTH



FEMALE FACE VIEW
SCALE: 2X



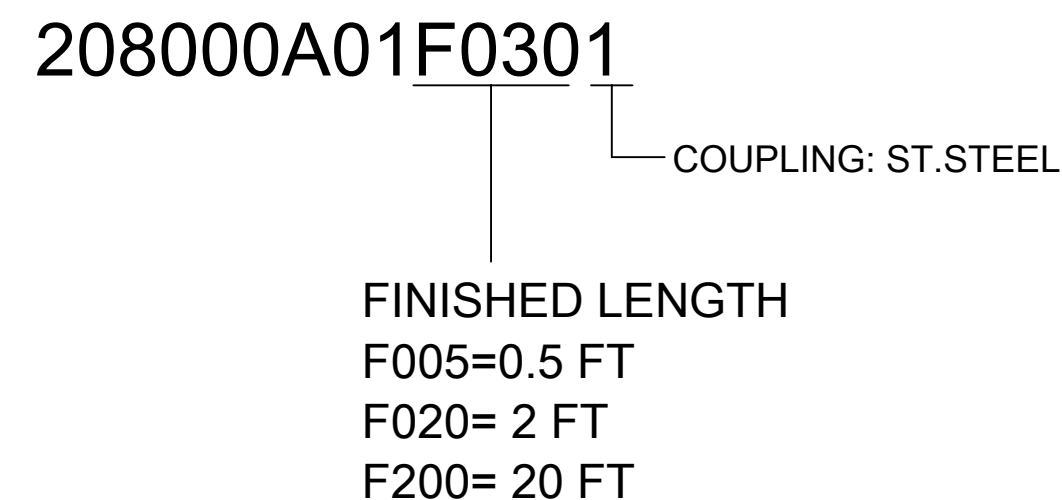
NOTES:

- MATERIAL: AS NOTED
- FINISH: AS NOTED
- ELECTRICAL:
VOLTAGE: 320V PER IEC60664
600V PER UL2238
CURRENT: 7A
- TEMP RATING: -20°C TO +105°C
- PROTECTION: IP67 (WHEN MATED)
- CSA CERTIFIED FILE: LR6837
- UL RECOGNIZED FILE: E152210
- ASSEMBLY IS ROHS COMPLIANT
- ALL DIMS ARE FOR REFERENCE UNLESS TOLERANCED OR NOTED OTHERWISE

WIRING DIAGRAM

S1	
1	ORANGE
2	BLUE
3	WHITE/BLACK
4	BLACK
5	WHITE
6	RED
7	GREEN/YELLOW
8	RED/BLACK

PART NUMBER LEGEND



ITEM	DESCRIPTION	MATERIAL	FINISH
7	LABEL	VINYL	BLACK/YELLOW
6	OVERMOLD	TPE	YELLOW
5	COUPLING NUT	ST.STEEL	PASSIVATED
4	FRICTION RING	NYLON	WHITE
3	SOCKET CONTACT	Cu ALLOY	GOLD OVER NICKEL
2	FEMALE INSERT	TPE	YELLOW
1	CABLE, 16-8, STOOV/ST	PVC JACKET	YELLOW

FUNCTIONAL SYMBOLS	THIS DRAWING CONTAINS INFORMATION THAT IS PROPRIETARY TO MOLEX ELECTRONIC TECHNOLOGIES, LLC AND SHOULD NOT BE USED WITHOUT WRITTEN PERMISSION			
	DIMENSION UNITS	SCALE	CURRENT REV DESC: INITIAL RELEASE	
	INCH/MM	1:1		
	GENERAL TOLERANCES (UNLESS SPECIFIED)			
DIVISIONAL SYMBOLS	4 PLACES	±	MM	INCH
	3 PLACES	±		
	2 PLACES	±		
	1 PLACE	±		
ANGULAR TOL		±	°	
DRAFT WHERE APPLICABLE MUST REMAIN WITHIN DIMENSIONS		THIRD ANGLE PROJECTION		

EC NO: 709518	2022/06/06				
DRWN: RSTONE	2022/06/07				
CHK'D: MZIELINSKI	2022/06/09				
APPR: BWOODMAN	2022/06/09	PRODUCT CUSTOMER DRAWING			
INITIAL REVISION:		DOCUMENT NUMBER	DOC TYPE	DOC PART	REVISION
DRWN: RSTONE		1300070140	PSD	000	A
APPR: BWOODMAN		MATERIAL NUMBER	CUSTOMER	SHEET NUMBER	
DRAFT WHERE APPLICABLE MUST REMAIN WITHIN DIMENSIONS		SEE TABLE	GENERAL MARKET	1 OF 1	