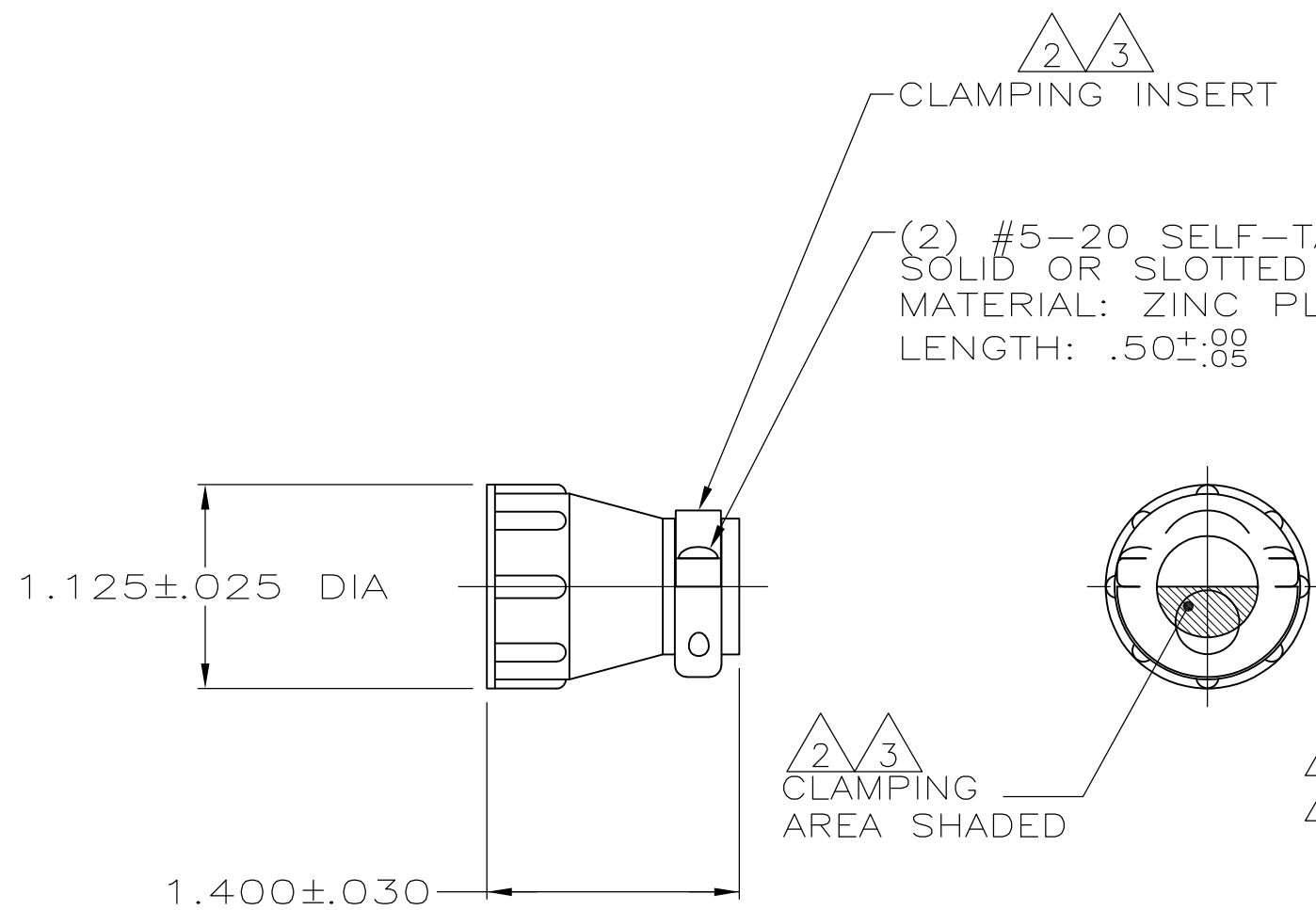


THIS DRAWING IS UNPUBLISHED. RELEASED FOR PUBLICATION  
 © COPYRIGHT - By - ALL RIGHTS RESERVED.

LOC	DIST	REVISIONS					
FT	0	P	LTR	DESCRIPTION	DATE	DWN	APVD
			N3	REVISED PER ECO-11-004587	11MAR11	RK	HMR

- 1 PART PACKAGED UNASSEMBLED.
- △2 CABLE CLAMPING AREA ADJUSTABLE FROM .010 TO .161 SQ IN BY REVERSING CLAMPING INSERTS. (2 INSERTS SUPPLIED)
- △3 CABLE CLAMPING AREA ADJUSTABLE FROM .010 TO .161 SQ IN BY CHANGING CLAMPING INSERTS. (4 INSERTS SUPPLIED, -4 ONLY)
- 4 .453 MAXIMUM CABLE OUTSIDE DIAMETER.
- △5 BULK PACKAGED KITS TO BE ORDERED IN MULTIPLES OF 200 ONLY.
- △6 NON-HEXAVALENT CHROMATE FINISH.
- △7 OBSOLETE PARTS: OBSOLETE CIS STREAMLINING PER D.RENAUD/D.SINISI



△6	INDIVIDUAL	1-206070-1
△2 △6 △5	BULK	1-206070-0
△2 △6 △7	OBSOLETE SMALL PACK	<del>206070-9</del>
△2 △6	INDIVIDUAL	206070-8
△6 △7	OBSOLETE INDIVIDUAL	<del>206070-7</del>
△6 △7	OBSOLETE SMALL PACK	<del>206070-6</del>
	OBSOLETE BULK	<del>206070-4</del>
△6 △2	SUPERSEDED BY 1-206070-0	△5 BULK 206070-3
△6 △2	SUPERSEDED BY 206070-8	INDIVIDUAL 206070-1
	PACKAGING	PART NUMBER

THIS DRAWING IS A CONTROLLED DOCUMENT.		DWN A GRAFF 4/23/91	<b>STE</b> TE Connectivity	
DIMENSIONS: INCHES		CHK W.G.LENKER 7-22-92		
TOLERANCES UNLESS OTHERWISE SPECIFIED:		APVD -	NAME CABLE CLAMP KIT, STANDARD, SHELL SIZE 17, CPC	
0 PLC ± -		PRODUCT SPEC 108-10024	SIZE A3	
1 PLC ± -		APPLICATION SPEC -	CAGE CODE 00779	DRAWING NO C-206070
2 PLC ± -		WEIGHT -	RESTRICTED TO -	
3 PLC ± -		MATERIAL THERMOPLASTIC	SCALE NTS	
4 PLC ± -			SHEET 1 OF 1	
ANGLES ± -		CUSTOMER DRAWING		REV N3
FINISH -				