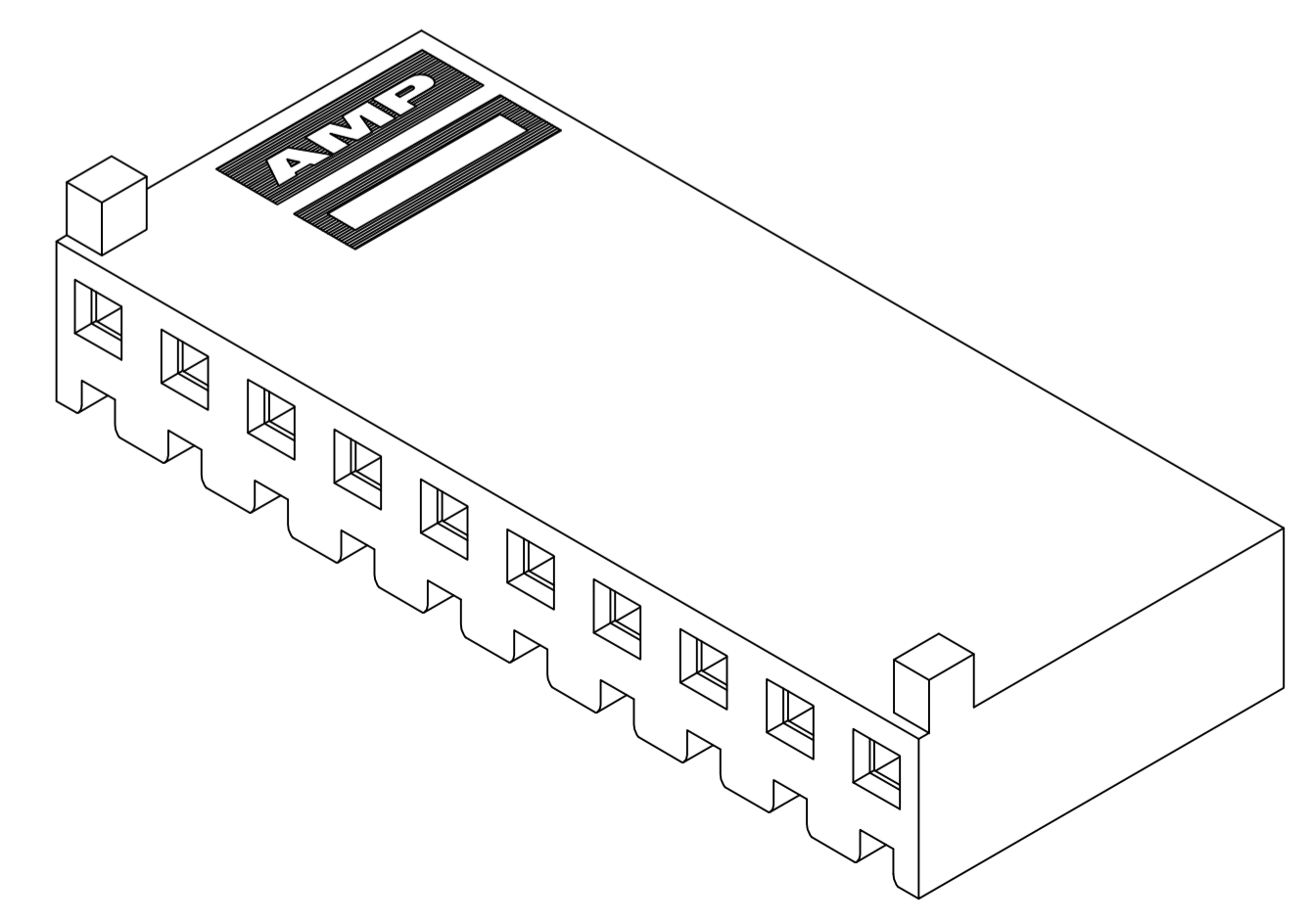
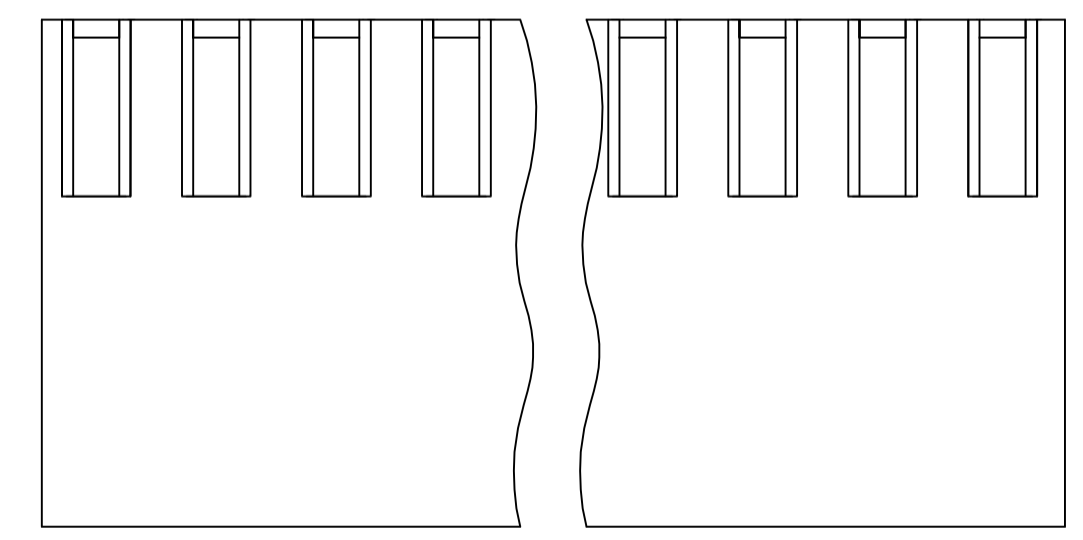
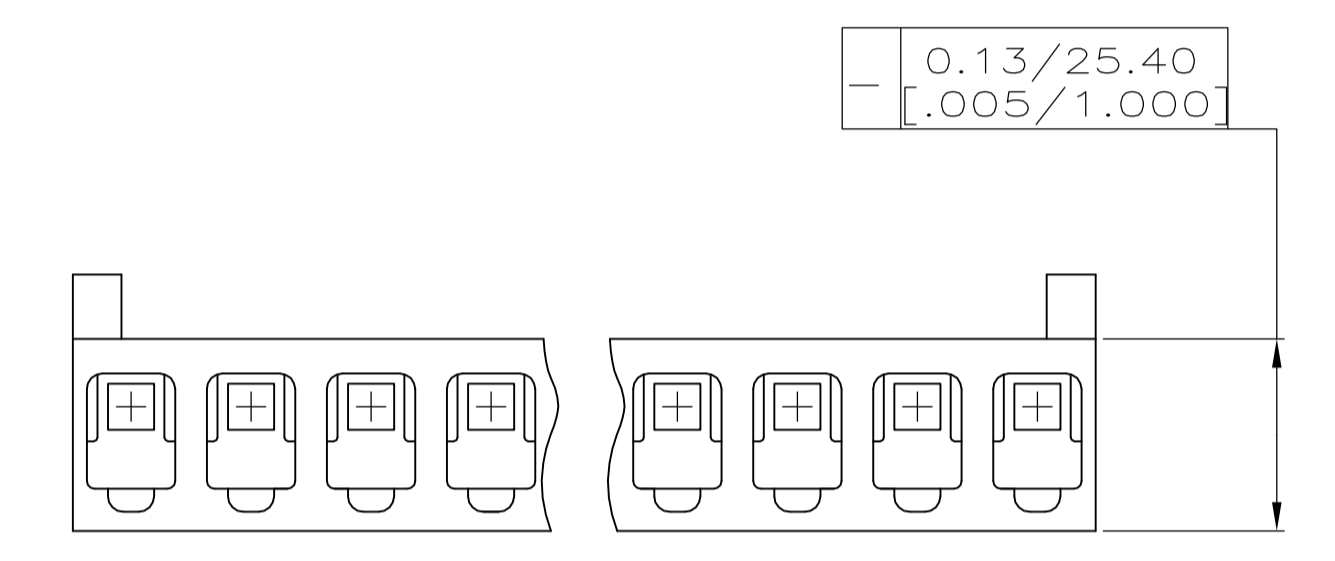
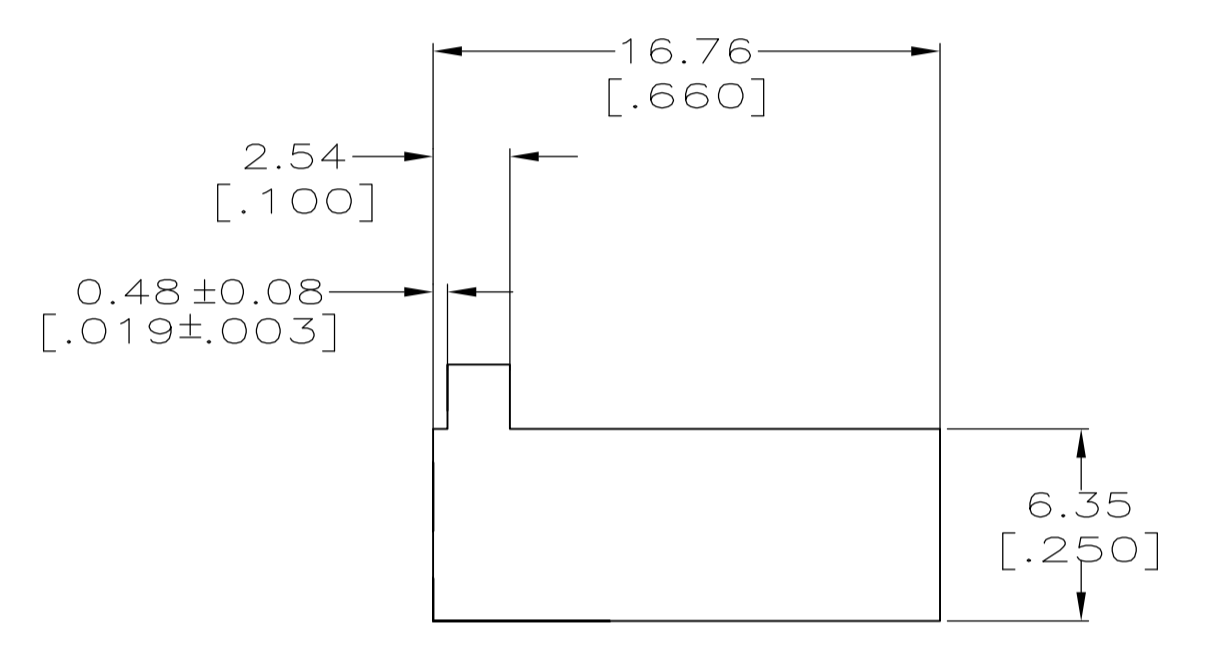
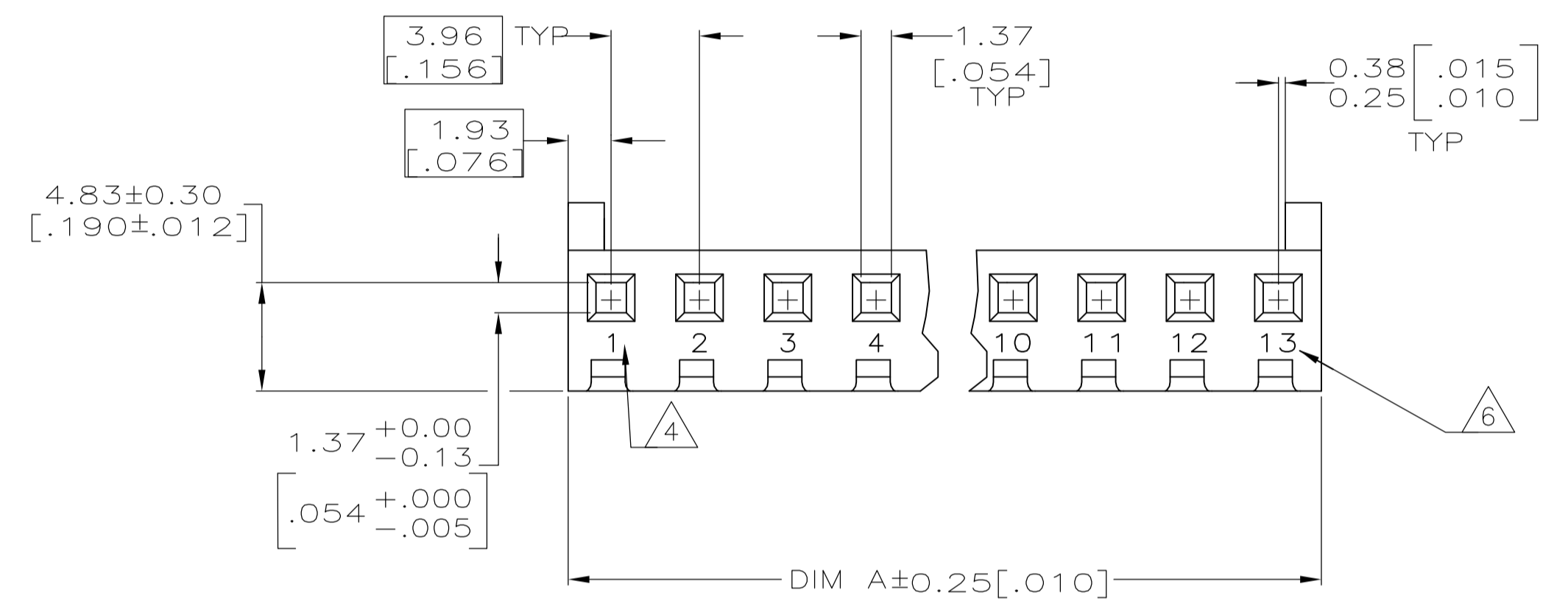
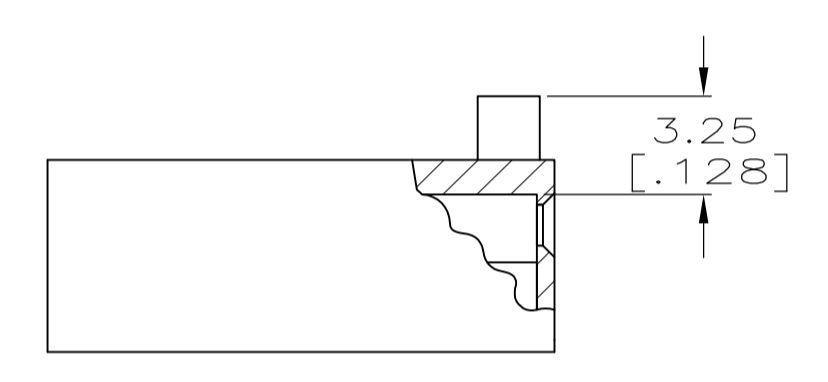
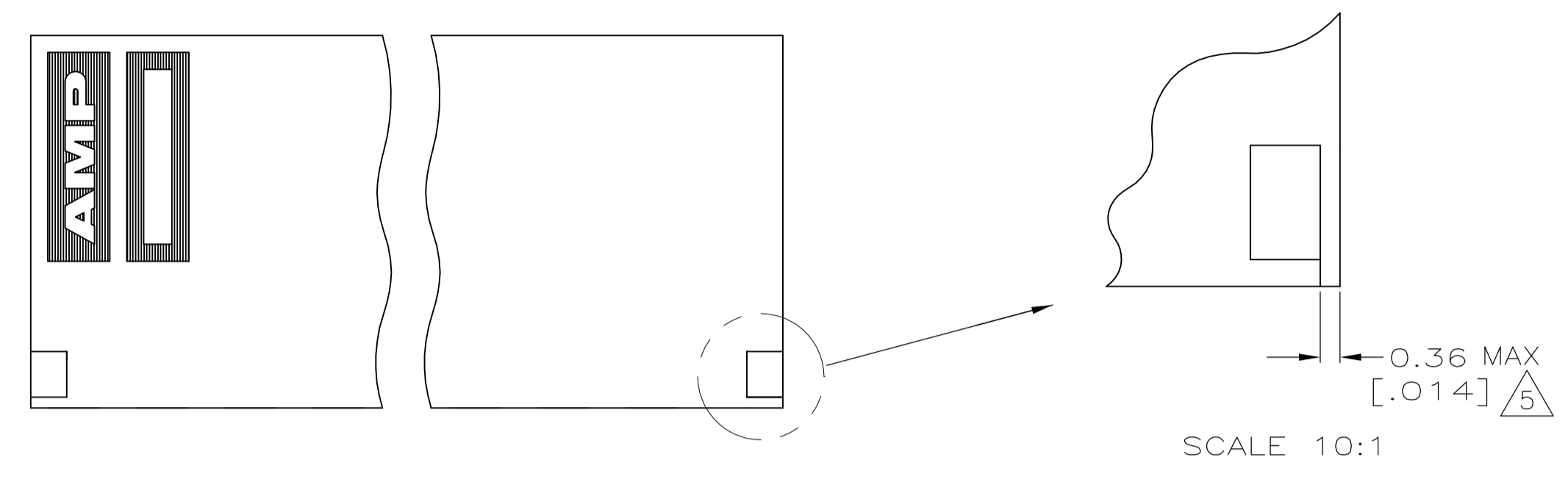


LOC	DIST	REVISIONS			
CM	54	REV	DESCRIPTION	DATE	BY
		D1	REVISED PER ECR-13-018918	04DEC13	JR

- 1 UNIT ACCEPTS A 1.14[.045] SQUARE OR ROUND POST.
- 2 UNIT ACCEPTS STANDARD SL-156 CONTACTS.
- 3 UNIT ACCEPTS KEYING PLUG 640254-1 AND KEYING PIN 640255-1.
- 4 IDENTIFICATION NUMBER FOR ALL POSITIONS, OR FOR POSITION 1 ONLY, WILL BE LOCATED AS SHOWN.
- 5 OPTIONAL CONSTRUCTION, BOTH ENDS.
- 6 LAST CIRCUIT IDENTIFICATION IS OPTIONAL.
- 7 DIMENSIONS IN BRACKETS ARE IN INCHES.



3-DIMENSIONAL MODEL NTS

1-770996-3 SHOWN

	DIM A	NO OF POSN	PART NUMBER
	59.44[2.340]	15	1-770996-5
	51.49[2.027]	13	1-770996-3
	47.52[1.871]	12	1-770996-2
OBSOLETE	31.62[1.245]	8	770996-8
OBSOLETE	19.74[0.777]	5	770996-5

THIS DRAWING IS A CONTROLLED DOCUMENT.		DIN K SALMON 7-30-92	STE TE Connectivity	
DIMENSIONS: mm [INCHES]		CHK R SWING 7-30-92	NAME	
TOLERANCES UNLESS OTHERWISE SPECIFIED:		APVD F BEILES 8-3-92	PRODUCT SPEC	
0 PLC	± -	APPLICATION SPEC		
1 PLC	± -	WEIGHT		
2 PLC	± -	SIZE		
3 PLC	± 0.13 [.005]	CAGE CODE		
4 PLC	± -	DRAWING NO		
ANGLES	± -	RESTRICTED TO		
MATERIAL NYLON,UL 94V-0 NATURAL	FINISH -	A1 00779C=770996		
CUSTOMER DRAWING		SCALE 4:1	SHEET 1 OF 1	REV D1

