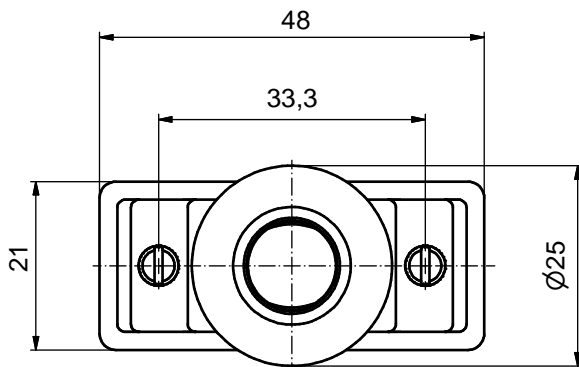
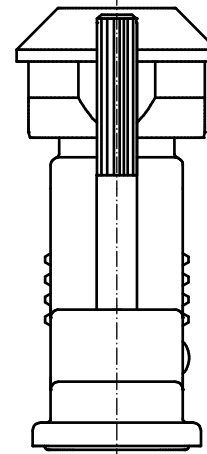
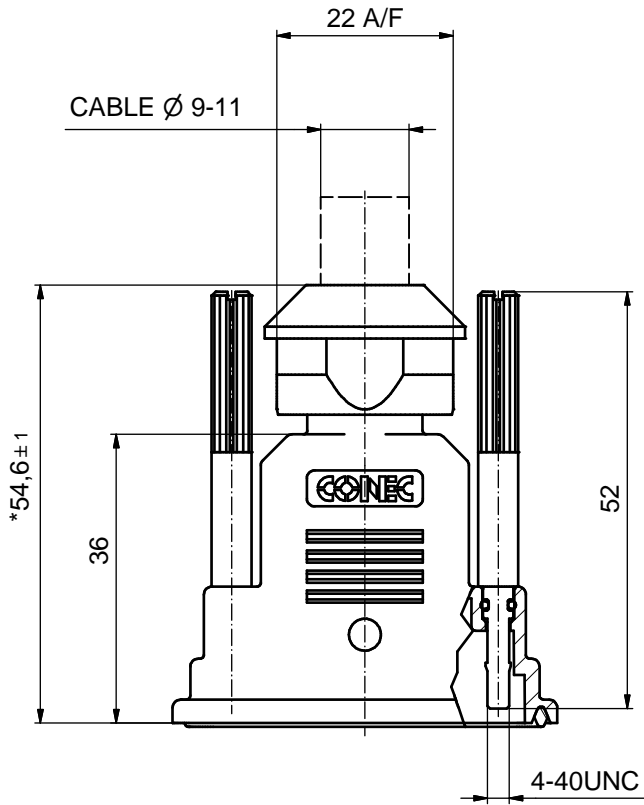
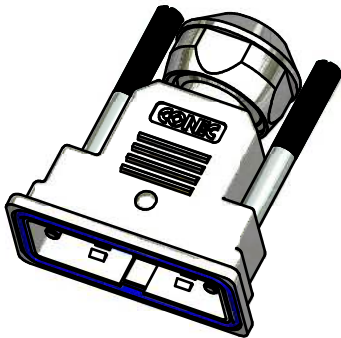


6 5 4 3 2 1



(1:1)



* COMPLETELY TIGHTENED

NOTES:

1. MATERIALS:
 HOOD, GLAND, COMPR.-RING: ABS UL94 V-0 METALLIZED
 FRONTSEALING: SILICONE VMQ BLUE
 CABLE SEALING: NBR BLACK
 JACK-SCREW: STAINLESS STEEL
 O-RING: NBR BLACK
 CABLE STRAIN RELIEF: STEEL, NI-PLATED
 SCREWS: STEEL, NI-PLATED
 SHIELDING BRACKET: CU-ALLOY, NI-PLATED
- (b) 2. TEMPERATURE RANGE: -30°C TO +80°C
3. RECOMMENDED TORQUE FOR SCREW:
 35Ncm (3.1 in.LB)
 MAX. TORQUE: 68Ncm (6 in.LB)
4. SINGLE PACKED

Directive 2002/95/EC RoHS compliant

THIS DRAWING MAY NOT BE COPIED OR REPRODUCED IN ANY WAY, AND MAY NOT BE PASSED ON TO A THIRD PARTY WITHOUT WRITTEN PERMISSION. OWNERSHIP AND COPYRIGHT OF CONEC GmbH DO NOT ALTER CAD DRAWING BY HAND	tolerance ± 0,3 unless otherw. specified		dim. in mm		scale: 1,5:1 (1:1)
	date		name		material: SEE NOTES
	drawn 06.02.2014		Heinrich		title: WATER RESISTANT D-SUB HOOD (b) SHIELDED 15 pos. JACKSCREW 4-40UNC STAINLESS STEEL
	appd. 06.02.2014		Huether		
	norm		d-old		dwg no:
3 x b	Ä5092	07.02.2014	Heinrich	DIN-A3	
a	Origin			sh: 1	
rev.	description	date	name		
				part no:	(b) 15-004770

6 5 4 3 2 1