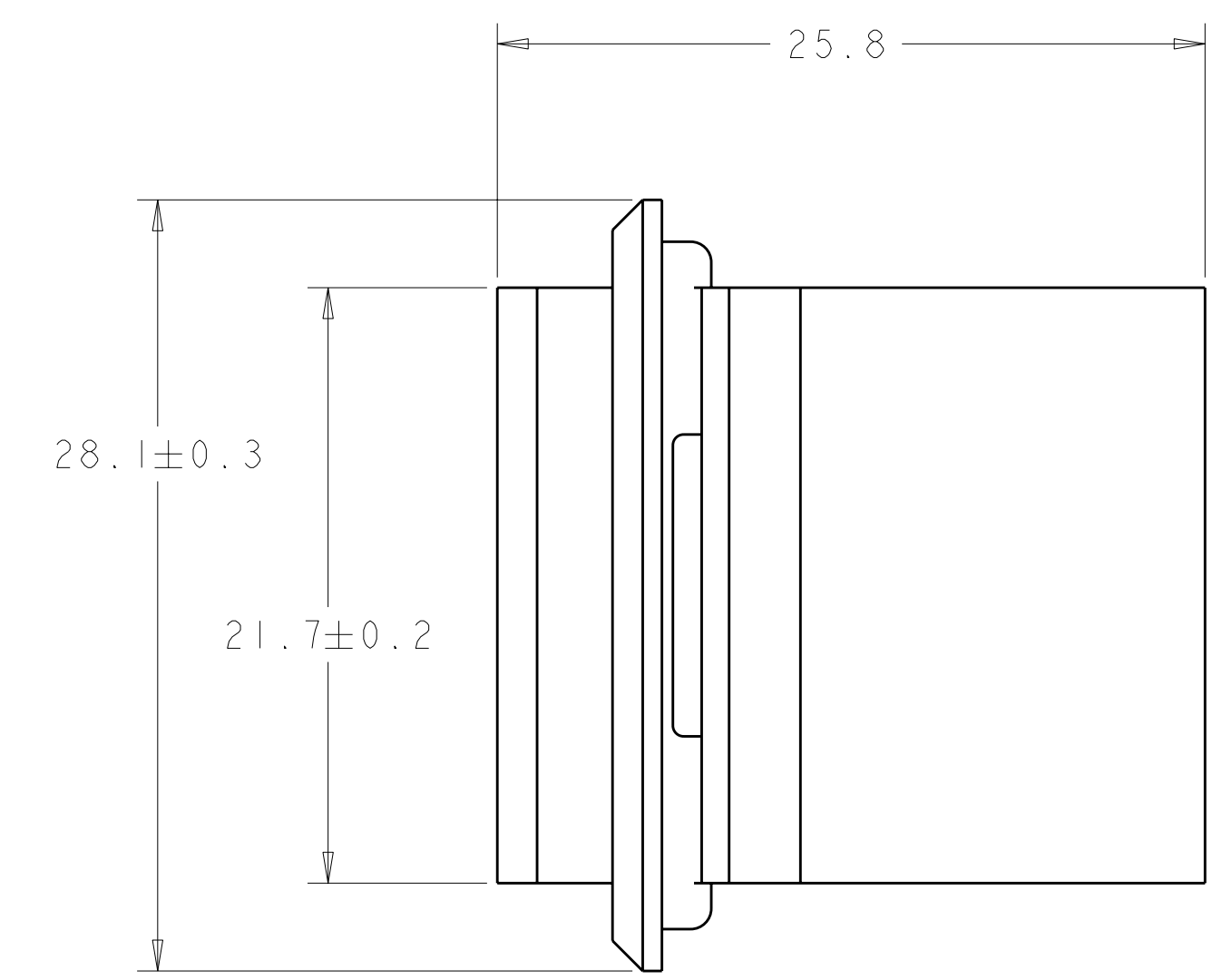
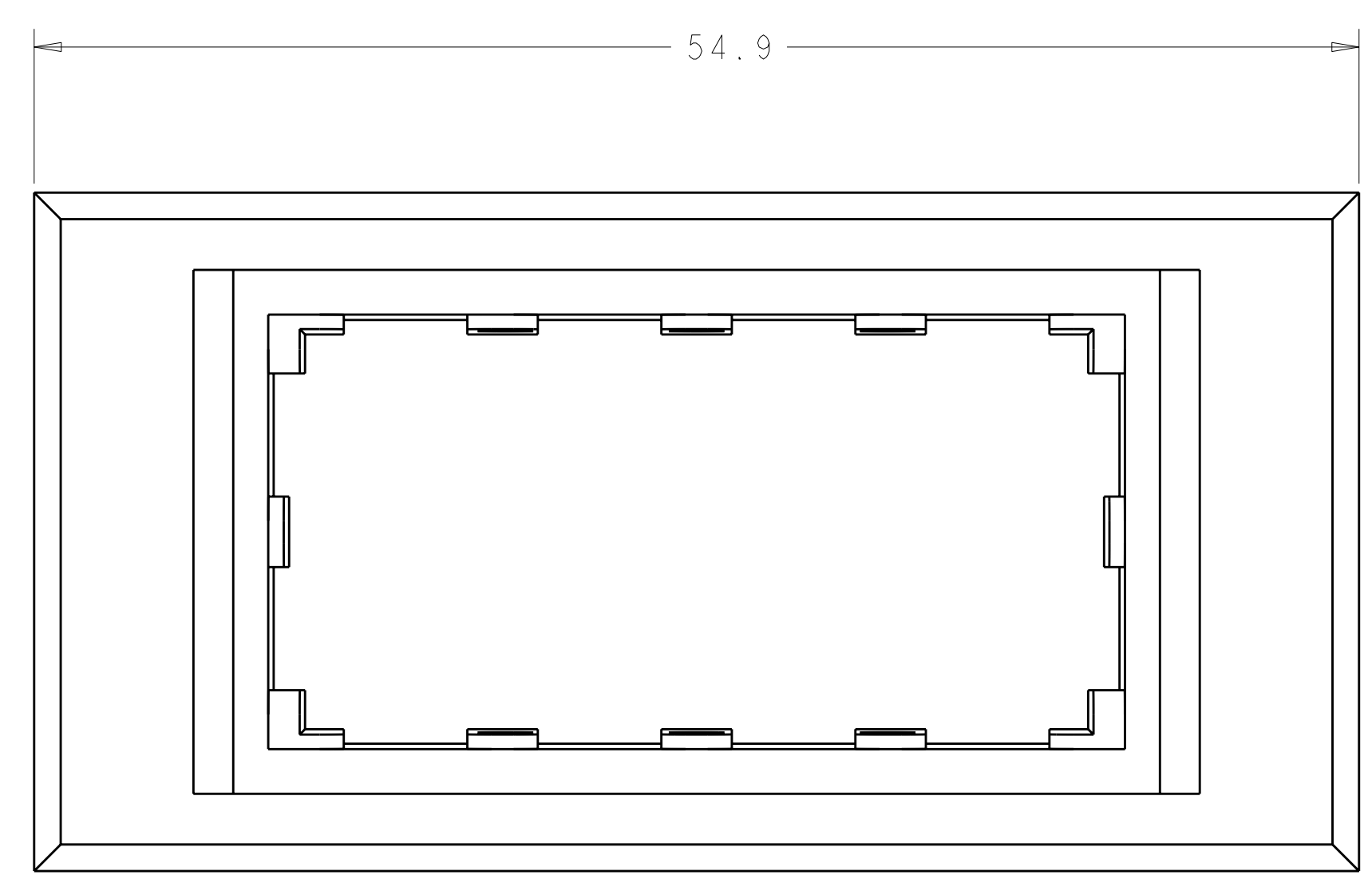
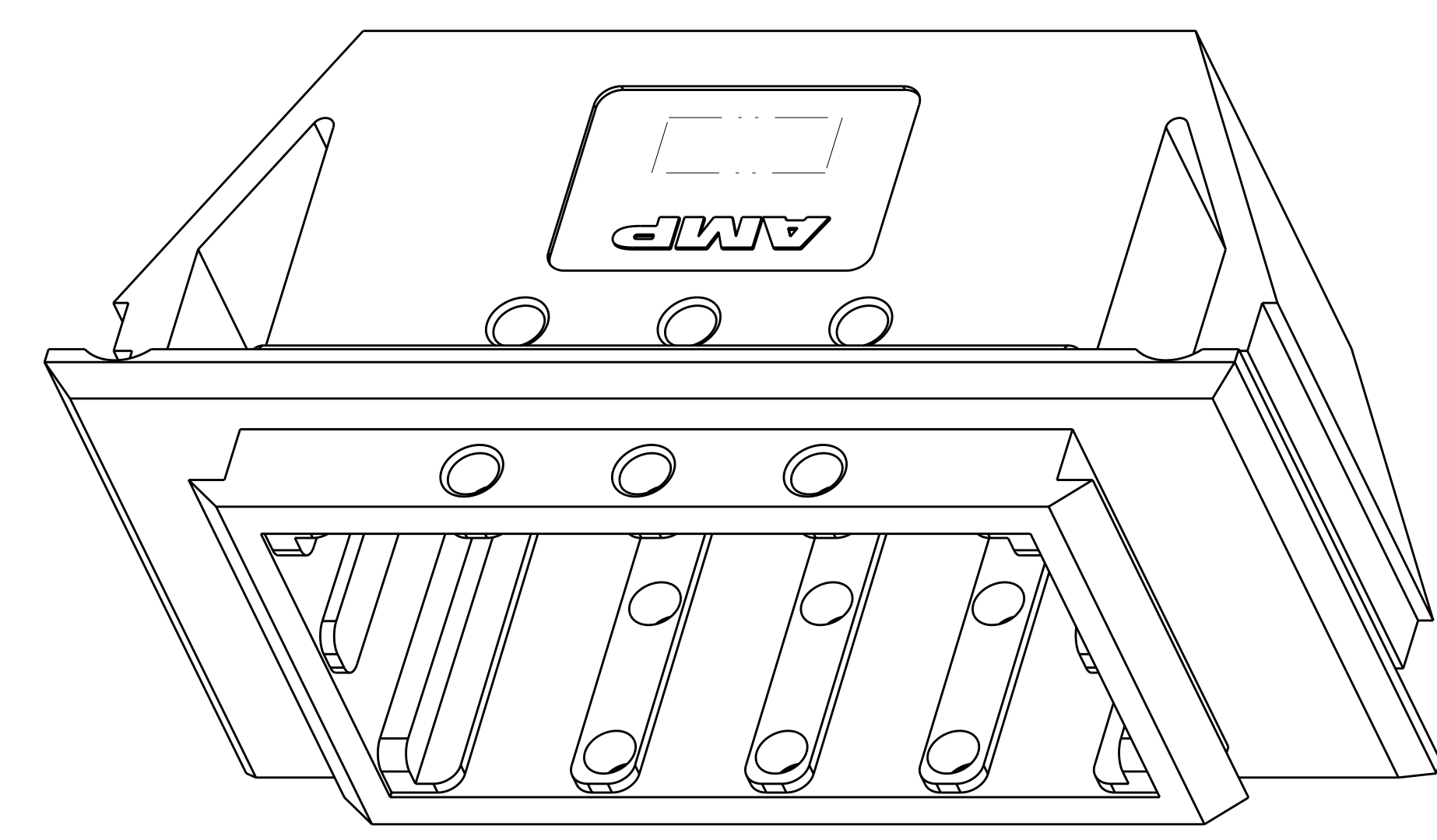
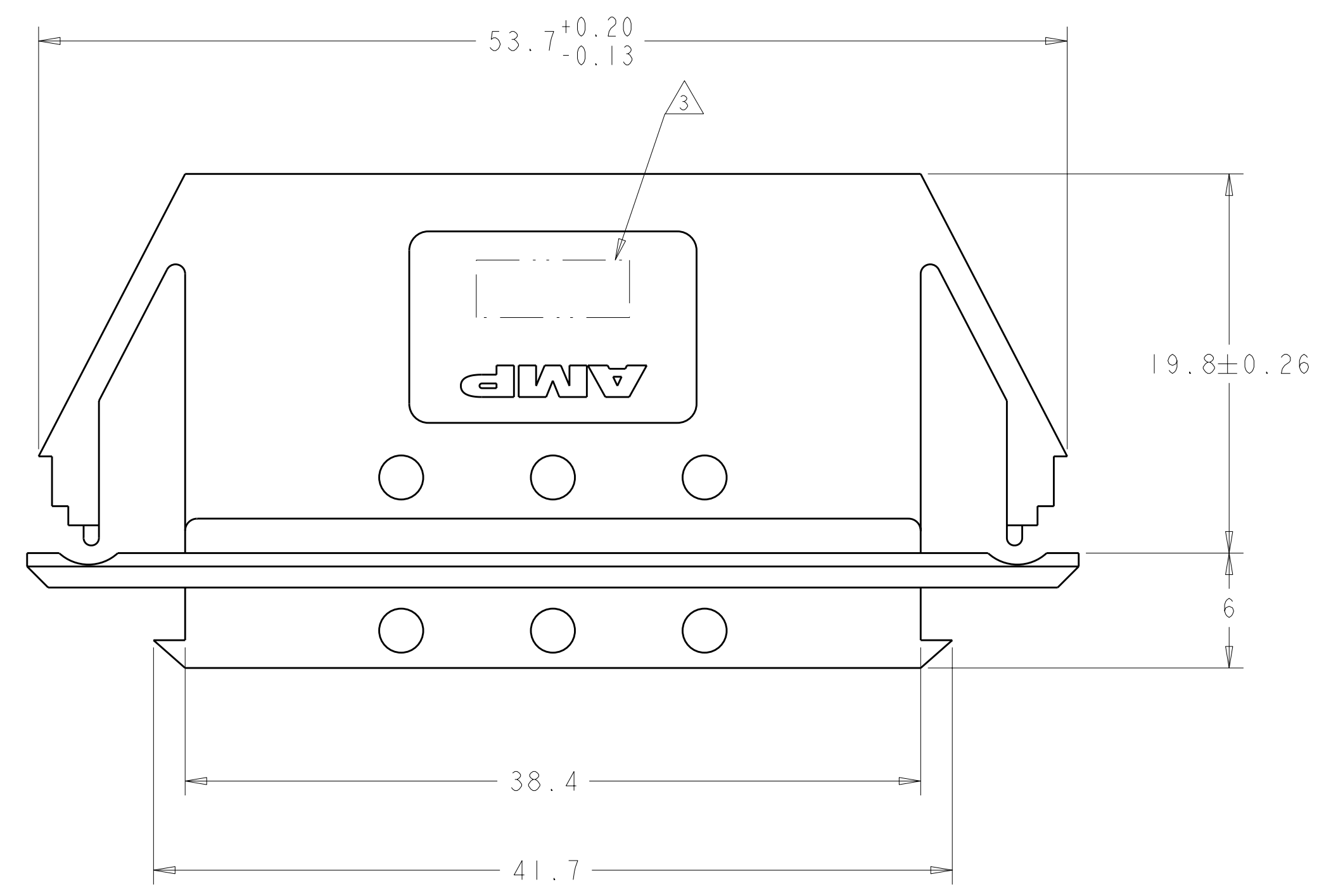


LOC	DIST	REVISIONS			
FT	0	REV	DATE	BY	APPD
		B	03JUN2011	HMR	DY



1. MATERIAL: POLYCARBONATE 94-V0
2. COLOR: BLACK
3. TE OR TE CONNECTIVITY LOGO LOCATED APPROX IN THIS AREA.

1604079-1
PART NUMBER

THIS DRAWING IS A CONTROLLED DOCUMENT.		DWN: B. HAYMAKER 09JAN2002		TE Connectivity HOUSING, 2X4 POWER PRODUCT RECEPTACLE	
DIMENSIONS: mm		CHK: K. KETELSLEGER 14MAR02			
TOLERANCES UNLESS OTHERWISE SPECIFIED:		APVD: K. KETELSLEGER 14MAR02		NAME: PRODUCT SPEC	
9 PLC ±0.13		APVD: K. KETELSLEGER 14MAR02		APPLICATION SPEC	
1 PLC ±0.13		APVD: K. KETELSLEGER 14MAR02		SIZE: CAGE CODE: DRAWING NO: RESTRICTED TO	
2 PLC ±0.13		APVD: K. KETELSLEGER 14MAR02		A100779C=1604079	
3 PLC ±0.13		APVD: K. KETELSLEGER 14MAR02		SCALE: 4:1 SHEET 1 OF 1 REV B	
4 PLC ±0.13		APVD: K. KETELSLEGER 14MAR02		CUSTOMER DRAWING	
ANGLES ±°		APVD: K. KETELSLEGER 14MAR02			
FINISH ±30°		APVD: K. KETELSLEGER 14MAR02			
MATERIAL: -		APVD: K. KETELSLEGER 14MAR02			
FINISH: -		APVD: K. KETELSLEGER 14MAR02			