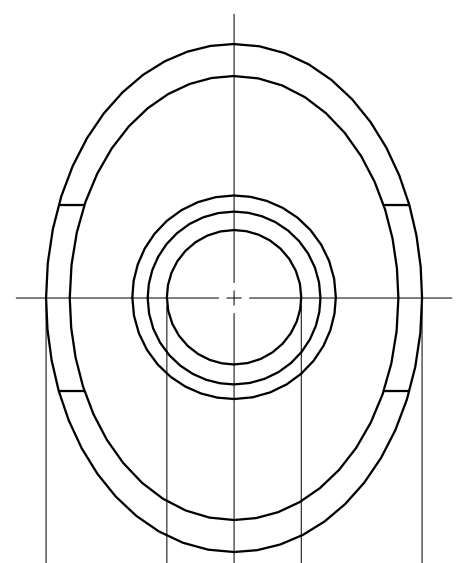


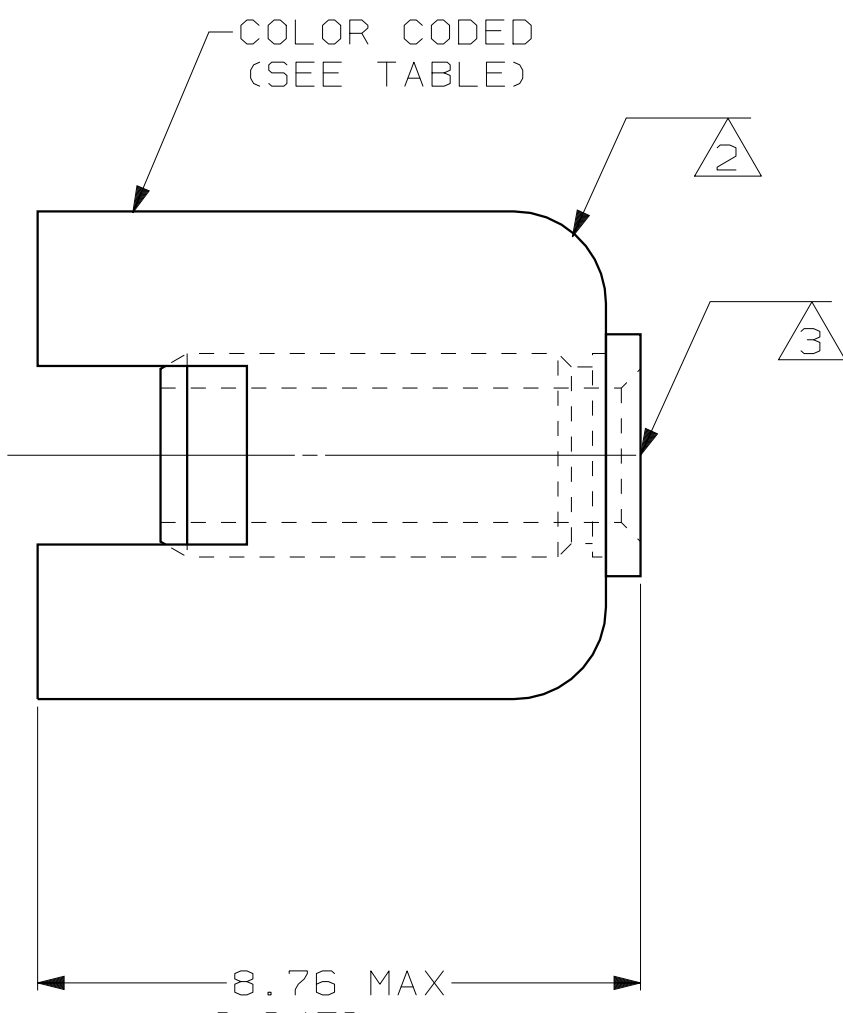
THIS DRAWING IS UNPUBLISHED. RELEASED FOR PUBLICATION, 19 .
 © COPYRIGHT 19 BY AMP INCORPORATED. ALL RIGHTS RESERVED.

LOC	DIST	REVISIONS			
P	LTR	DESCRIPTION	DATE	DWN	APVD
AJ	16	U	REV PER 0U20-0563-00	190CT00	MO JL



$\phi 1.78 \pm 0.13$
 $[\phi .070 \pm .005]$

$5.05^{+0.13}_{-0.38}$
 $[\ .199^{+.005}_{-.015}]$



- 1 ZINC PLATE PER QQ-Z-325
- 2 COPPER PER QQ-C-576
- 3 BRASS PER ASTM-B-16
- 4 TIN PLATE PER MIL-T-10727

INSULATION DIA: $0.84-1.50$
 $[\ .033-.059]$

OBSOLETE	.0194 OZ	NONE	4	2-323930-3
	.0194 OZ	VIOLET	4	2-323930-2
OBSOLETE	-	VIOLET	4	2-323930-1
	.0187 OZ	VIOLET	1	323930
WEIGHT	COLOR	FINISH	PART NUMBER	

THIS DRAWING IS A CONTROLLED DOCUMENT.		DWN J.L.GROFT 1-3-97	AMP Incorporated Harrisburg, PA 17105-3608	
DIMENSIONS: mm [INCHES]		CHK S.W.BURKHOLDER 1-3-97		
TOLERANCES UNLESS OTHERWISE SPECIFIED:		APVD S.W.BURKHOLDER 1-3-97	NAME FERRULE ASSEMBLY, TERMASHIELD	
0 PLC ±- 1 PLC ±- 2 PLC ±- 3 PLC ±- 4 PLC ±- ANGLES ±-		PRODUCT SPEC -	DRAWING NO C-323930	
MATERIAL SEE NOTES		FINISH SEE NOTES	SIZE A3	CAGE CODE 00779
		WEIGHT -	SCALE 10:1	SHEET 1 OF 1
		CUSTOMER DRAWING	REV U	