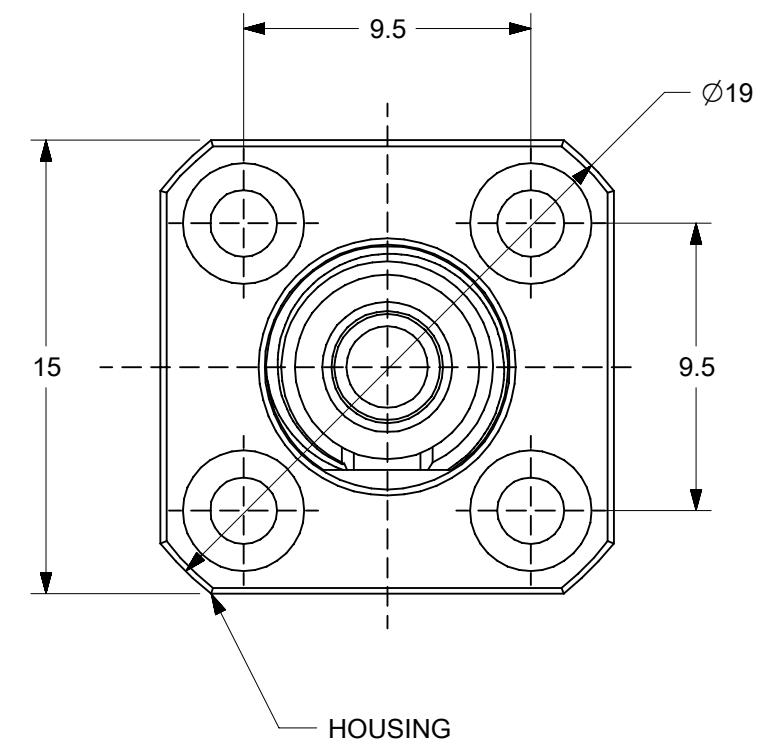
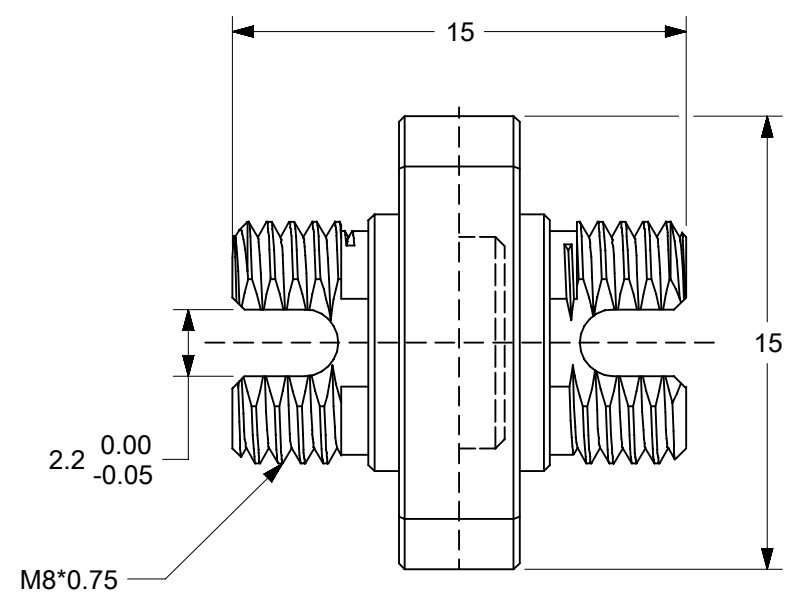
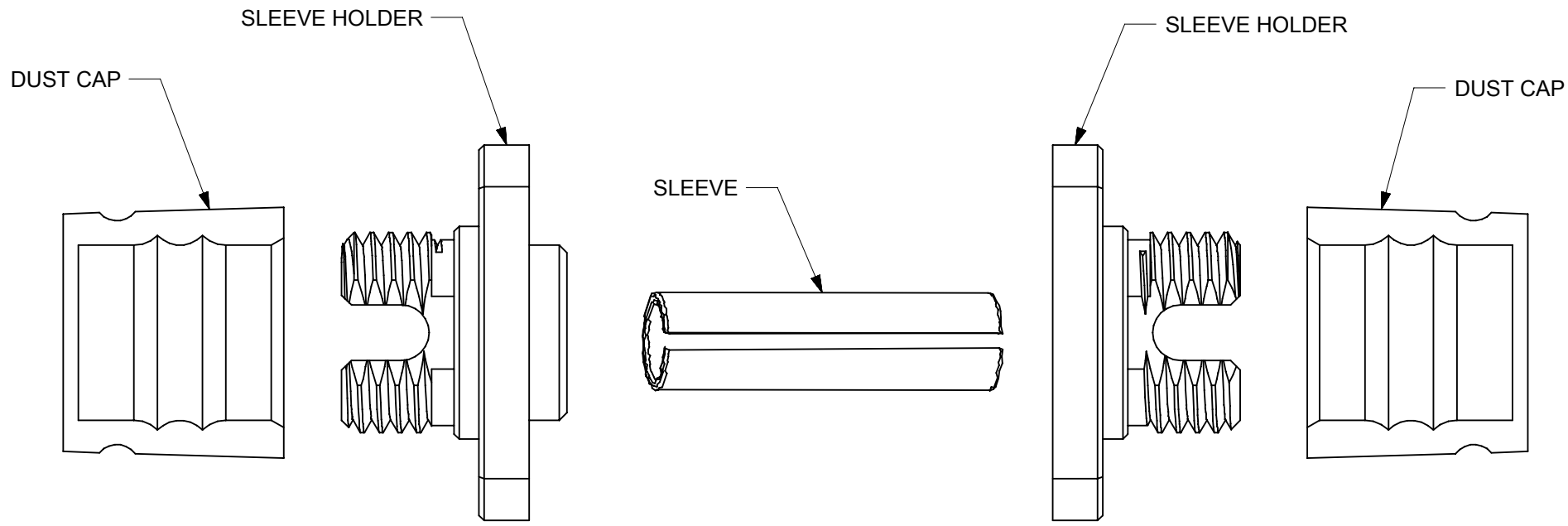


ADAPTER P/N	MATERIAL OF SLEEVE
106152-0220*	ZR



NOTES:

1. DIMENSIONS ARE FOR REFERENCE ONLY.
2. P/N 106152-0220 IS BULK PACKED PER OWI292.

THIS DRAWING CONTAINS INFORMATION THAT IS PROPRIETARY TO MOLEX ELECTRONIC TECHNOLOGIES, LLC AND SHOULD NOT BE USED WITHOUT WRITTEN PERMISSION									
DIMENSION UNITS		SCALE		CURRENT REV DESC:					
MM		4:1		<b>molex</b> FC ADAPTER PRODUCT CUSTOMER DRAWING EC NO: 624787 DRWN: VLOKESHA 2019/05/20 CHK'D: GGA 2019/11/11 APPR: GGA 2019/11/11 INITIAL REVISION: DRWN: KP 2007/02/09 APPR: 2007/02/09					
GENERAL TOLERANCES (UNLESS SPECIFIED)									
	MM	INCH							
4 PLACES	±	±							
3 PLACES	±	±							
2 PLACES	±	±							
1 PLACE	±	0.3 ±							
0 PLACES	±	0.5 ±							
ANGULAR TOL ± 1.0 °				DOCUMENT NUMBER: SD-106152-0200 DOC TYPE: PSD DOC PART: 001 REVISION: B1					
DRAFT WHERE APPLICABLE MUST REMAIN WITHIN DIMENSIONS		THIRD ANGLE PROJECTION		DRAWING		SERIES		MATERIAL NUMBER	
				B-SIZE		106152		SEE TABLE	
								CUSTOMER	
								GENERAL MARKET	
								SHEET NUMBER	
								1 OF 1	

DOCUMENT STATUS	P1	RELEASE DATE	2019/11/11 02:35:48
-----------------	----	--------------	---------------------