

1. 製品名称／PRODUCT NAME : MICRO-LOCK PLUS 2.0MM PITCH W/B CONN. SMT REC. HOUSING

製品番号／PART NUMBER : 5 0 5 5 7 0 * * 0 ☆

(* * は極数を示し、☆は色を示す。詳細は図面参照。)

(* * SHOWS CIRCUITS SIZE、☆ IS COLOR. REFER TO THE DRAWING.)

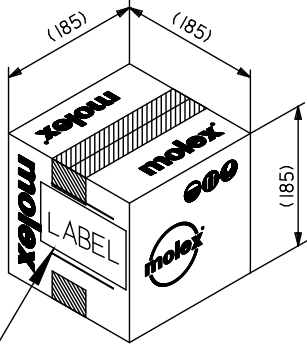
2. 標準梱包数／STANDARD PACK QUANTITY

極 数 CKT. SIZE	ポリ袋 POLY BAG	内装カートン PRIMARY CARTON		外装カートン SHIPPING CARTON
	1 袋中の製品数 QUANTITY IN ONE BAG	ポリ袋の数 NUMBER OF POLY BAG	製品数 QUANTITY	製品数(内装カートン×4) QUANTITY (PRIMARY CARTON X4)
2	500	8	4,000	16,000
3	500	6	3,000	12,000
4	500	6	3,000	12,000
5	500	4	2,000	8,000
6	200	8	1,600	6,400
7	200	8	1,600	6,400
8	200	8	1,600	6,400
9	200	8	1,600	6,400
10	200	6	1,200	4,800
11	200	4	800	3,200
12	200	4	800	3,200
13	200	4	800	3,200
14	200	4	800	3,200
15	200	4	800	3,200
16	200	4	800	3,200

THIS DOCUMENT CONTAINS INFORMATION THAT IS PROPRIETARY TO MOLEX ELECTRONIC TECHNOLOGIES, LLC AND SHOULD NOT BE USED WITHOUT WRITTEN PERMISSION

REVISION DESCRIPTION	REVISED			SALES PACKAGING SPECIFICATION FOR 505570				
CHANGE NO.	666650							
REVISED BY	YTOKUZONO	DATE	2021/04/01	DOC TYPE	DOC TYPE DESCRIPTION	DOC PART	SERIES	
REV APPR BY	KTAKAHASHI	DATE	2022/02/07	PS	ENGINEERING SPECIFICATION WORD	200	505570	
INITIAL RELEASE			CUSTOMER		DOCUMENT NUMBER		REVISION SHEET	
INITIAL DRWN	YTOKUZONO	DATE	2016/04/01	GENERAL		5055709200	E	1 OF 2
INITIAL APPR	YOITO	DATE	2016/04/05					

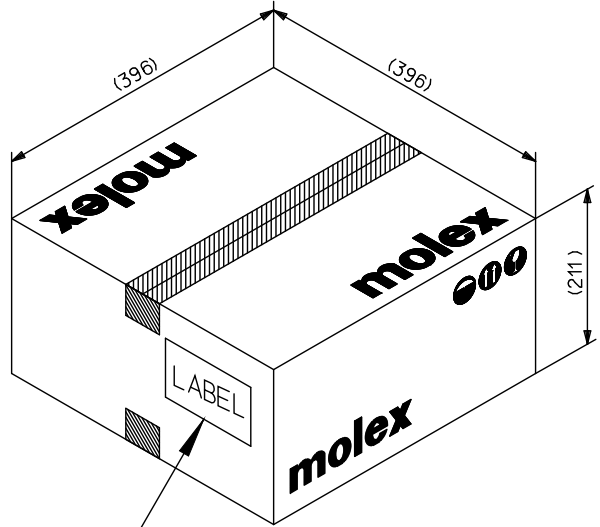
3. カートン外形参考寸法 / CARTON OUTER DIMENSIONS (REFERENCE PURPOSE ONLY) 単位 / UNIT: mm



カートンラベル
CARTON LABEL

(製品型番, 数量, ロットNO. 表示)
INDICATION OF PART No., QUANTITY, LOT No.

内装カートン
PRIMARY CARTON



カートンラベル
CARTON LABEL

(製品型番, 数量, ロットNO. 表示)
INDICATION OF PART No., QUANTITY, LOT No.

外装カートン
SHIPPING CARTON

THIS DOCUMENT CONTAINS INFORMATION THAT IS PROPRIETARY TO MOLEX ELECTRONIC TECHNOLOGIES, LLC AND SHOULD NOT BE USED WITHOUT WRITTEN PERMISSION

REVISION DESCRIPTION	REVISED	SALES PACKAGING SPECIFICATION FOR 505570					
CHANGE NO.	666650						
REVISED BY	YTOKUZONO	DATE	2021/04/01	DOC TYPE	DOC TYPE DESCRIPTION	DOC PART	SERIES
REV APPR BY	KTAKAHASHI	DATE	2022/02/07	PS	ENGINEERING SPECIFICATION WORD	200	505570
INITIAL RELEASE				CUSTOMER	DOCUMENT NUMBER	REVISION	SHEET
INITIAL DRWN	YTOKUZONO	DATE	2016/04/01	GENERAL	5055709200	E	2 OF 2
INITIAL APPR	YOITO	DATE	2016/04/05				