

Datasheet

DC-operated LED Indicators that Follow the Receiver's OSSD Output Status






To view or download the latest technical information about this product, including specifications, dimensions, accessories, and wiring, go to www.bannerengineering.com.




WARNING:

- **Do not use this device for personnel protection**
- Using this device for personnel protection could result in serious injury or death.
- This device does not include the self-checking redundant circuitry necessary to allow its use in personnel safety applications. A device failure or malfunction can cause either an energized (on) or de-energized (off) output condition.

Models


Model	Construction
 <p>M18RGX8PQ8 ¹</p>	Nickel-plated brass housing, M18x1 thread; thermoplastic diffuser. Fully encapsulated IP67.
 <p>K30LRGX8PQ8</p>	22 mm threaded polycarbonate base, translucent polycarbonate dome. Fully encapsulated IP67, IP69K per DIN 40050-9.
 <p>K50LRGX8PQ8</p>	30 mm threaded polycarbonate base, translucent polycarbonate dome. Fully encapsulated IP67, IP69K per DIN 40050-9.
 <p>K50FLRGX8PQ8</p>	Polycarbonate base, translucent polycarbonate dome. Fully encapsulated IP67, IP69K per DIN 40050-9.
 <p>K80LRGX8PQ8</p>	ABS and polycarbonate base, translucent polycarbonate dome. Electronics fully encapsulated IP67.

The following models are no longer available for order, but are still covered by the information in this document.

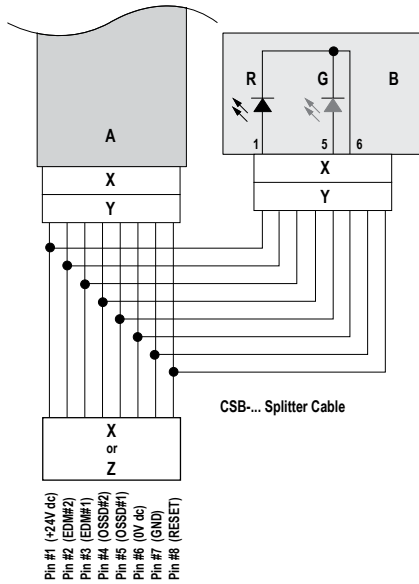
Model	Construction
 <p>T18RGX8PQ8</p>	Thermoplastic polyester housing, thermoplastic diffuser. Fully encapsulated IP67.

¹ Available in a kit that includes one M18 EZ-LIGHT, one SMB18A mounting bracket, and hardware for mounting to the side channel of an EZ-SCREEN housing. Kit model number EZA-M18RGX8PQ8.



Model	Construction
 T30RGX8PQ8	Thermoplastic polyester housing, thermoplastic diffuser. Fully encapsulated IP67.

Wiring



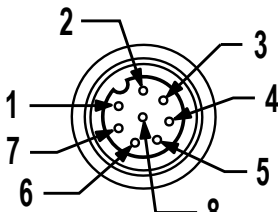
Key:

- A = Standard EZ-SCREEN M12 connector/wiring
- B = EZ-LIGHT
- R = Red
- G = Green
- X = Male M12
- Y = Female M12
- Z = Unterminated
- C = CSB...Splitter Cable DEE2R-8...D*



Note: *Use a model DEE2R-8..D double-ended cordset to extend the length between the CSB splitter and the EZ-LIGHT.

Pinout and Color Code Information

EZ-LIGHT for EZ-SCREEN Pinout / Color Code			M12 Specification ²			Connector (female face view)
Pin	Color	Function	Pin	Color	Function	
1	Brown	+ 24 V DC	1	White	+ 24 V DC	
2	Orange/Black	No connection	2	Brown	No connection	
3	Orange	No connection	3	Green	No connection	
4	White	No connection	4	Yellow	No connection	
5	Black	OSSD #1	5	Gray	OSSD #1	
6	Blue	0 V DC	6	Pink	0 V DC	
7	Green/Yellow	No connection	7	Blue	No connection	
8	Violet	No connection	8	Red	No connection	

Specifications

Supply Voltage and Current

K30L, M18 and T18 Models: +24 V DC at 30 mA max.
T30, K50L, K50FL and K80L Models: +24 V DC at 45 mA max.

Outputs

PNP

Indicators

Entire translucent diffuser or dome provides indication.
Red/Green indication follows EZ-SCREEN OFF/ON OSSD#1 output.

Connections

Integral 8-pin M12 male quick-disconnect connector

Construction

See Models table

Environmental Rating

All models: IP67
K50L, K30L, K50FL: IP67, IP69K per DIN 40050-9
K80L has encapsulated electronics only; other models fully encapsulated

² The M12 specification pin assignment and color codes are listed as a customer courtesy. The user must verify suitability of these cordsets for each application.

Certifications

All models:



Banner Engineering Europe Park Lane, Culliganlaan 2F bus 3, 1831 Diegem, BELGIUM

K50L, K50FL, T18, and T30 models only:



Turck Banner LTD Blenheim House, Blenheim Court, Wickford, Essex SS11 8YT, Great Britain

K30L and K50L models only:



Operating Conditions

-40 °C to +50 °C (-40 °F to +122 °F)

Required Overcurrent Protection

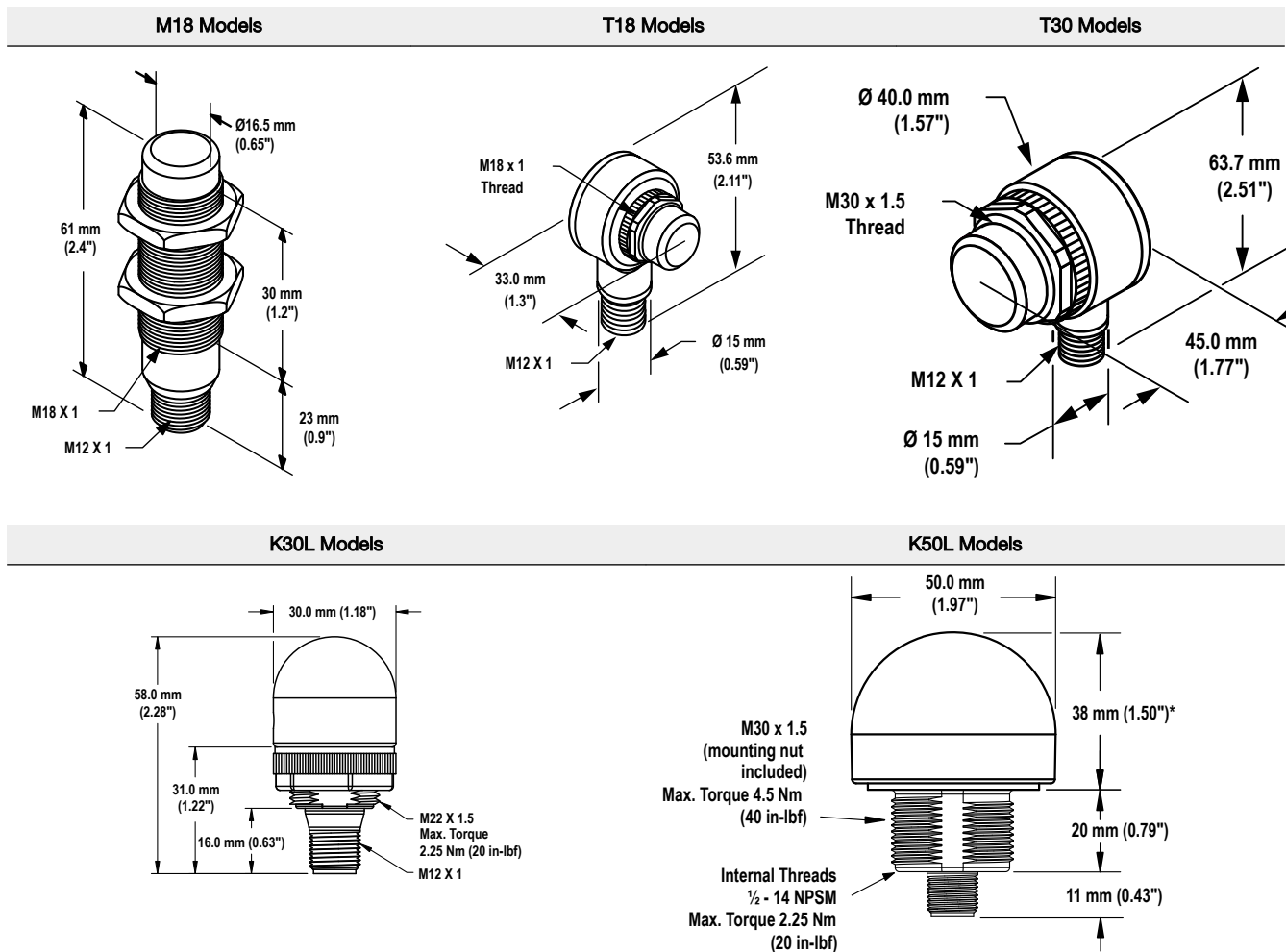


WARNING: Electrical connections must be made by qualified personnel in accordance with local and national electrical codes and regulations.

Overcurrent protection is required to be provided by end product application per the supplied table. Overcurrent protection may be provided with external fusing or via Current Limiting, Class 2 Power Supply. Supply wiring leads < 24 AWG shall not be spliced. For additional product support, go to www.bannerengineering.com.

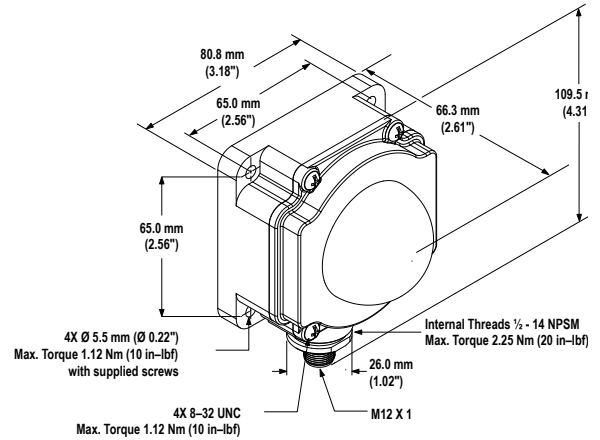
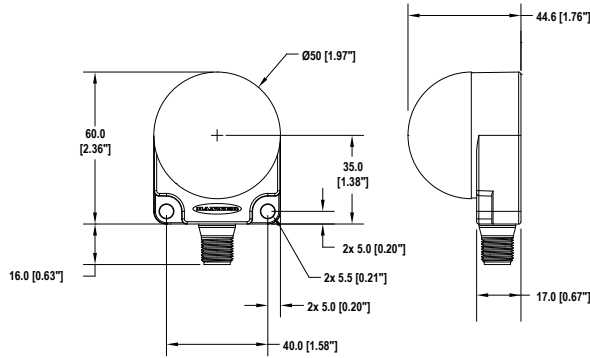
Supply Wiring (AWG)	Required Overcurrent Protection (Amps)
20	5.0
22	3.0
24	2.0
26	1.0
28	0.8
30	0.5

Dimensions



K50FL Models

K80L Models



Accessories

Cordsets

8-Pin Threaded M12 Splitter Cordsets—Flat Junction			
Model	Trunk (Male)	Branches (Female)	Pinout
CSB-M1280M1280	No trunk	No branches	<p>Male</p> <p>Female</p> <p>1 = Brown 2 = Or/Bk 3 = Orange 4 = White 5 = Black 6 = Blue 7 = Gn/Ye 8 = Violet</p>
CSB-M1281M1281	0.3 m (1 ft)	2 x 0.3 m (1 ft)	
CSB-M1288M1281	2.44 m (8 ft)		
CSB-M12815M1281	4.57 m (15 ft)		
CSB-M12825M1281	7.62 m (25 ft)		
CSB-UNT825M1281	7.62 m (25 ft) Unterminated		

8-Pin Threaded M12 Cordsets—Double Ended				
Model (8-pin/8-pin)	Length	Style	Dimensions	Pinout
DEE2R-81D	0.3 m (1 ft)	Female Straight/ Male Straight		<p>Female</p> <p>Male</p>
DEE2R-83D	0.91 m (3 ft)			
DEE2R-88D	2.44 m (8 ft)			
DEE2R-815D	4.57 m (15 ft)			
DEE2R-825D	7.62 m (25 ft)			
DEE2R-850D	15.24 m (50 ft)			
DEE2R-875D	22.86 m (75 ft)			

8-Pin Threaded M12 Cordsets—Double Ended					
Model (8-pin/8-pin)	Length	Style	Dimensions	Pinout	
DEE2R-8100D	30.48 m (100 ft)			1 = Brown 2 = Orange/Black 3 = Orange 4 = White	5 = Black 6 = Blue 7 = Green/Yellow 8 = Violet

Banner Engineering Corp. Limited Warranty

Banner Engineering Corp. warrants its products to be free from defects in material and workmanship for one year following the date of shipment. Banner Engineering Corp. will repair or replace, free of charge, any product of its manufacture which, at the time it is returned to the factory, is found to have been defective during the warranty period. This warranty does not cover damage or liability for misuse, abuse, or the improper application or installation of the Banner product.

THIS LIMITED WARRANTY IS EXCLUSIVE AND IN LIEU OF ALL OTHER WARRANTIES WHETHER EXPRESS OR IMPLIED (INCLUDING, WITHOUT LIMITATION, ANY WARRANTY OF MERCHANTABILITY OR FITNESS FOR A PARTICULAR PURPOSE), AND WHETHER ARISING UNDER COURSE OF PERFORMANCE, COURSE OF DEALING OR TRADE USAGE.

This Warranty is exclusive and limited to repair or, at the discretion of Banner Engineering Corp., replacement. **IN NO EVENT SHALL BANNER ENGINEERING CORP. BE LIABLE TO BUYER OR ANY OTHER PERSON OR ENTITY FOR ANY EXTRA COSTS, EXPENSES, LOSSES, LOSS OF PROFITS, OR ANY INCIDENTAL, CONSEQUENTIAL OR SPECIAL DAMAGES RESULTING FROM ANY PRODUCT DEFECT OR FROM THE USE OR INABILITY TO USE THE PRODUCT, WHETHER ARISING IN CONTRACT OR WARRANTY, STATUTE, TORT, STRICT LIABILITY, NEGLIGENCE, OR OTHERWISE.**

Banner Engineering Corp. reserves the right to change, modify or improve the design of the product without assuming any obligations or liabilities relating to any product previously manufactured by Banner Engineering Corp. Any misuse, abuse, or improper application or installation of this product or use of the product for personal protection applications when the product is identified as not intended for such purposes will void the product warranty. Any modifications to this product without prior express approval by Banner Engineering Corp will void the product warranties. All specifications published in this document are subject to change; Banner reserves the right to modify product specifications or update documentation at any time. Specifications and product information in English supersede that which is provided in any other language. For the most recent version of any documentation, refer to: www.bannerengineering.com.

For patent information, see www.bannerengineering.com/patents.