

NOTES:

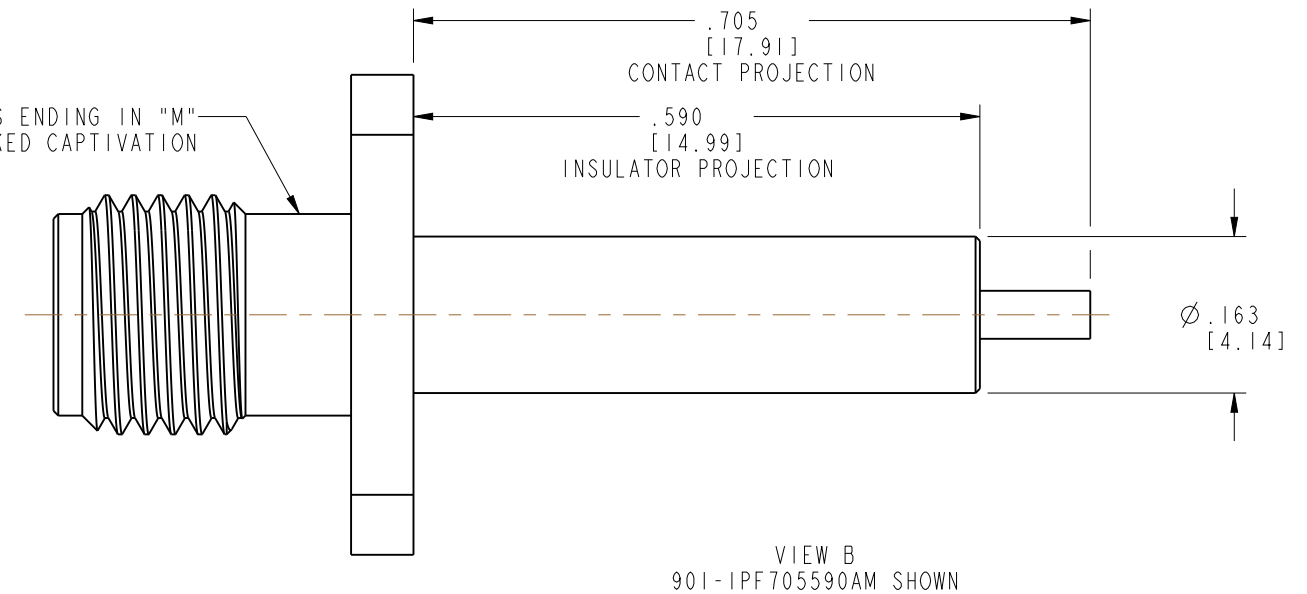
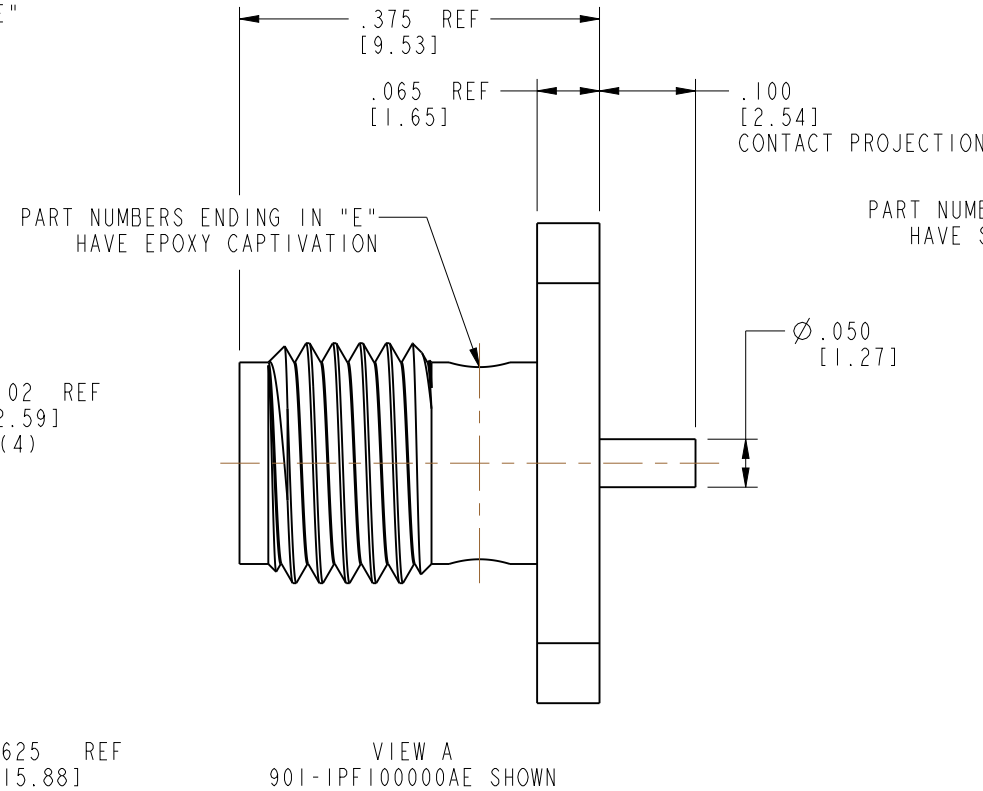
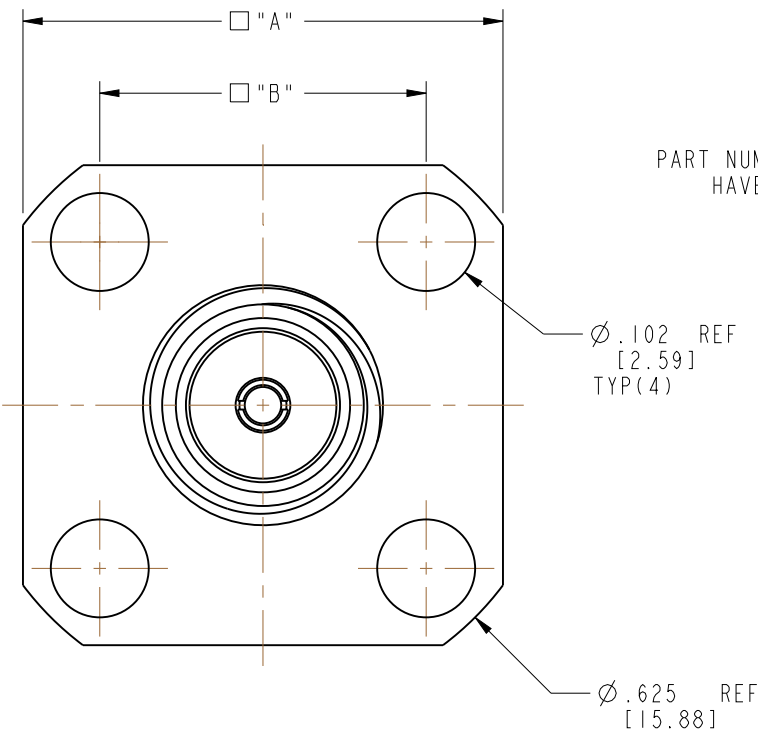
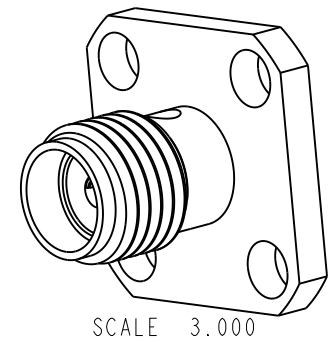
- MATERIALS AND FINISHES:  
 BODY - STAINLESS STEEL, PASSIVATED  
 CONTACT - BERYLLIUM COPPER, GOLD PLATING  
 INSULATOR - PTFE
- ELECTRICAL:  
 A. IMPEDANCE: 50 OHM  
 B. FREQUENCY RANGE: DC - 18 GHz  
 C. VSWR(RETURN LOSS): 1.15 (-23 dB), MAX.  
 D. DIELECTRIC WITHSTANDING VOLTAGE: 1000 VRMS, MIN.
- MECHANICAL:  
 A. DURABILITY: 500 CYCLES MIN.  
 B. TEMPERATURE RANGE: -65° C TO +165° C
- PACKAGING:  
 A. QUANTITY: SINGLE PACK  
 B. MARKING: PACKAGING TO BE MARKED  
 "AMPHENOL RF, PART NUMBER, AND DATE CODE"

- ORDERING INFORMATION:  
 A. ADDITIONAL CANDLESTICK LENGTHS ARE AVAILABLE  
 B. CHANGE XXX TO DESIRED CONTACT PROJECTION AND  
 YYY TO DESIRED INSULATOR PROJECTION LENGTH IN INCHES.  
 [.705 MAX. CONTACT PROJECTION, .050 MIN. CONTACT PROJECTION]  
 C. EXAMPLE: 901-IPF100000AE HAS CONTACT PROJECTION OF .100 [2.54]  
 AND NO INSULATOR PROJECTION,  
 AS SHOWN IN "VIEW A".  
 901-IPF705590AM HAS CONTACT PROJECTION OF .705 [17.91] AND  
 INSULATOR PROJECTION OF .590 [14.99],  
 AS SHOWN IN "VIEW B".  
 D. CONTACT AMPHENOL RF MARKETING FOR QUOTE AND MORE INFORMATION.

THIRD ANGLE PROJ.

REVISIONS

REV	DESCRIPTION	DATE	ECO	APPR
A	RELEASE TO MFG.	08-Aug-19	12523	CJV



DRAWING NO.	"A" IN [MM]	"B" IN [MM]	CAPTIVATION
901-1PFXXXXYYAE	.375 [9.53]	.250 [6.35]	EPOXY
901-1PFXXXXYYAM	.375 [9.53]	.250 [6.35]	MECHANICAL
901-2PFXXXXYYAE	.500 [12.70]	.340 [8.64]	EPOXY
901-2PFXXXXYYAM	.500 [12.70]	.340 [8.64]	MECHANICAL
901-3PFXXXXYYAE	.687 [17.45]	.375 [9.53]	EPOXY
901-3PFXXXXYYAM	.687 [17.45]	.375 [9.53]	MECHANICAL
901-4PFXXXXYYAE	1.000 [25.40]	.689 [17.50]	EPOXY
901-4PFXXXXYYAM	1.000 [25.40]	.689 [17.50]	MECHANICAL

**CUSTOMER OUTLINE DRAWING**  
ALL OTHER SHEETS ARE FOR INTERNAL USE ONLY

UNLESS OTHERWISE SPECIFIED, DIMENSIONS ARE IN INCHES AND TOLERANCES ARE:  
 2 PLACE DECIMAL 3 PLACE DECIMAL ANGLES  
 ±.015 (0,381 mm) ±.005 (0,127 mm) ± 1°

NOTICE - These drawings, specifications, or other data (1) are, and remain the property of Amphenol corp. (2) must be returned upon request; and (3) are confidential and not to be disclosed to any person other than those to whom they are given by Amphenol Corp. the furnishing of these drawings, specifications, or other data by Amphenol Corp., or to any other person to anyone for any purpose is not to be regarded by implication or otherwise in any manner licensing, granting rights to permitting such holder or any other person to manufacture, use or sell any product, process or design, patented or otherwise, that may in any way be related to or disclosed by said drawings, specifications, or other data.

MATERIAL  
SEE NOTES

REFERENCE  
EAR: 7643  
REF: 901-9215-3CCSF

CONFIGURATION LEVEL: In Work  
FINISH

DRAWN  
C. VIGORITO

ENGINEER  
C. VIGORITO

APPROVED  
K. CAPOZZI

CAD FILE

DATE  
12-Oct-18

DATE  
12-Oct-18

DATE  
08-Aug-19

TITLE  
SMA PANEL JACK, POST CONTACT  
STEEL BODY PASSIVATED  
VARIOUS LENGTHS

SCALE: 5.0:1.0 SHEET 2 OF 2

DWG SIZE  
B

REV  
A

Amphenol RF  
www.amphenolrf.com

DRAWING NO. 901-XPFXXXXYYAX

ITEM NO. 901-XPFXXXXYYAX

PART NO. 901-XPFXXXXYYAX