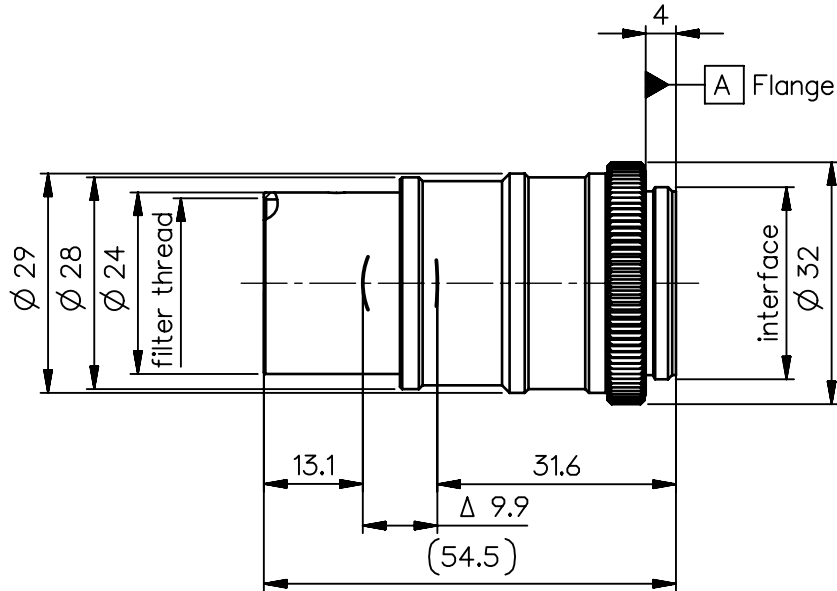


order number	lens name	f-stop
0009-191-000-40	Macro-CCD-Lens -0.5x 5.6	5.6
0009-191-000-41	Macro-CCD-Lens -0.5x 8	8



Specification		ON				
image circle max. (mm)	11	working distance (mm)	90			
focal length f' (mm)	35.1	interface	C-mount			
magnification β' [range]	-0.5	filter thread	M22.5 x0.5			
spectral range λ (nm)	400 - 750	weight (g)	55			
schematic diagram		*) in air				
		design includes CCD cover glass: no				
		SF (mm)	-33.3	f-stop	∅ EnP	∅ Exp
		S'F' (mm) *)	27.7			
		HH' (mm) *)	0.7			
		SH (mm)	1.8			
		S'H' (mm) *)	-7.4			
		SEnP (mm)				
		S'Exp (mm) *)				

<b>NX</b> PROTECTIVE NOTE "DIN ISO 16016" TO BE OBSERVED	EU-D	AL-T1A	US-D	US-ML	not export controlled	
	REV	ECC	DATE	APPROVED	PDM Status Freigabe	-
	a	neu			SCALE	
	b	08-0281	24.11.08	Strozew	MATERIAL	
	c	11-0358	20.07.11	Kuehne	TITLE	
	d	14-0184	21.08.14	Schiffe	Macro-CCD-Lens 0.5x	
e	14-0184	17.08.15	Hornbog			
f	17-0915	05.12.17	Denk			
GENERAL TOLERANCE OF DIMENSION, FORM, POS.				FIRST ISSUE	DATE	NAME
BASIC TOLERANCING PRINCIPLE				ISSUE	21.08.14	Schifferer
				CHKD	21.08.14	Stauder
<b>DIN A 4</b> ALL DIMENSIONS ARE IN MM AND INCLUDE SURFACE TREATMENT						
				DRAWING NO.		
				0009-191-100-00-0001f		SHEET 1 OF 1
				REPLACES		