

THIS DRAWING CONTAINS INFORMATION THAT IS PROPRIETARY TO MOLEX ELECTRONIC TECHNOLOGIES, LLC AND SHOULD NOT BE USED WITHOUT WRITTEN PERMISSION

|   |        |                                    |            |  |              |  |
|---|--------|------------------------------------|------------|--|--------------|--|
| DIMENSION UNITS   | SCALE  | CURRENT REV DESC: REMASTERED TO NX |            | <b>molex</b>   |              |  |
| mm  | NTS    |                                    |            |  |              |  |
| GENERAL TOLERANCES (UNLESS SPECIFIED)                   |        |                                    |            | I-TRAC BACKPLANE HEADER<br>GUIDE LEFT ASSEMBLY SALES DRAWING |              |  |
| ANGULAR TOL   | ± 0.5° | EC NO: 671119                      |            | PRODUCT CUSTOMER DRAWING                                     |              |  |
| 4 PLACES  | ±      | DRWN: YOGEEB                       | 2021/06/21 | DOCUMENT NUMBER  |              |  |
| 3 PLACES  | ±      | CHK'D: MMALLIGEVALU                | 2022/01/28 | SD-75705-002   |              |  |
| 2 PLACES  | ± 0.13 | APPR: CWANG25                      | 2022/02/18 | DOC TYPE   DOC PART   REVISION                               |              |  |
| 1 PLACE   | ± 0.25 | INITIAL REVISION:                  |            | PSD   001   E1   |              |  |
| 0 PLACES  | ±      | DRWN: BPISZCZOR                    | 2006/06/06 | MATERIAL NUMBER  |              |  |
|   |        | APPR: JLAURX                       | 2006/06/12 | CUSTOMER   |              |  |
| DRAFT WHERE APPLICABLE<br>MUST REMAIN WITHIN DIMENSIONS |        | THIRD ANGLE PROJECTION             | DRAWING    | SERIES   | SHEET NUMBER |  |
|   |        |                                    | C-SIZE     | 75705  | 1 OF 4       |  |

# 75705-\*\*\*\*

MODULE TYPE -- TAIL PLATING TYPE  
 GUIDE LEFT -- TIN ONLY = 2 (PREVIOUSLY TIN/LEAD)  
 GUIDE LEFT -- TIN ONLY = 3  
 GUIDE LEFT W/END -- TIN ONLY = 6 (PREVIOUSLY TIN/LEAD)  
 GUIDE LEFT W/END -- TIN ONLY = 7

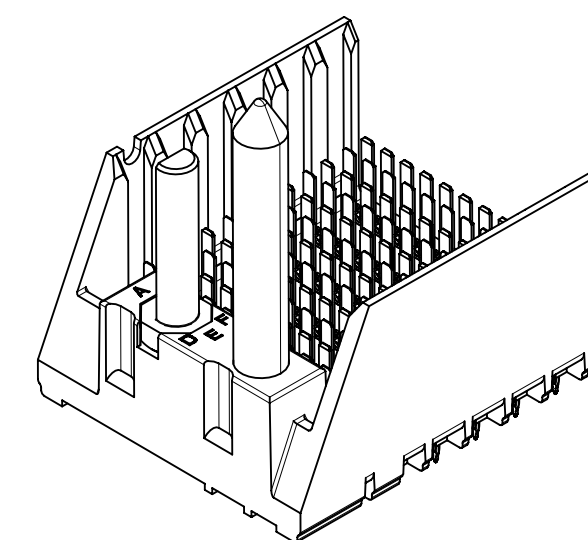
# OF COLUMNS  
 5 = 5 COL  
 6 = 6 COL  
 8 = 8 COL  
 1 = 10 COL

KEY ORIENTATION  
 0 = NO KEY  
 1 = A  
 2 = B  
 3 = C  
 4 = D  
 5 = E  
 6 = F  
 7 = G  
 8 = H

PIN LENGTH (P)  
 2 = 3.90 - 30 GOLD  
 3 = 4.70 - 30 GOLD  
 4 = 5.70 - 30 GOLD  
 5 = 4.70 & 5.70 - 30 GOLD STAGGERED  
 6 = 3.90 - 10 GOLD  
 7 = 4.70 - 10 GOLD  
 8 = 5.70 - 10 GOLD  
 9 = 4.70 & 5.70 - 10 GOLD STAGGERED

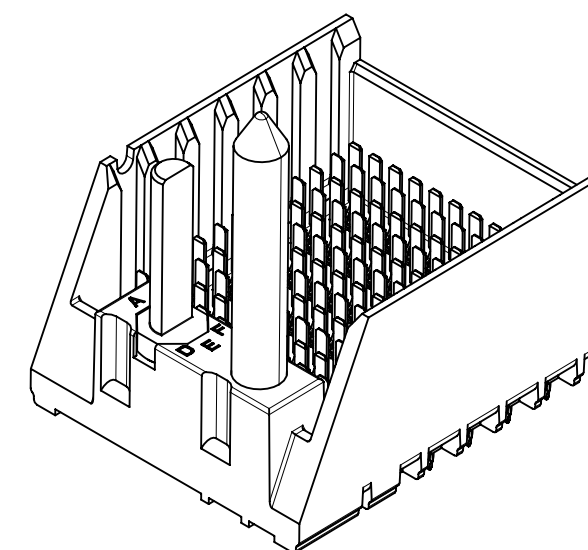
| MATERIAL NUMBER | # OF COLUMNS | DIM "A" | DIM "B" |
|-----------------|--------------|---------|---------|
| 75705-*5**      | 5            | 24.8    | 14.80   |
| 75705-*6**      | 6            | 28.5    | 18.50   |
| 75705-*8**      | 8            | 35.9    | 25.90   |
| 75705-*1**      | 10           | 43.3    | 33.30   |

GUIDE LEFT STYLE



| MATERIAL NUMBER | # OF COLUMNS | DIM "A" | DIM "B" |
|-----------------|--------------|---------|---------|
| 75705-*5**      | 5            | 26.1    | 14.80   |
| 75705-*6**      | 6            | 29.8    | 18.50   |
| 75705-*8**      | 8            | 37.2    | 25.90   |
| 75705-*1**      | 10           | 44.6    | 33.30   |

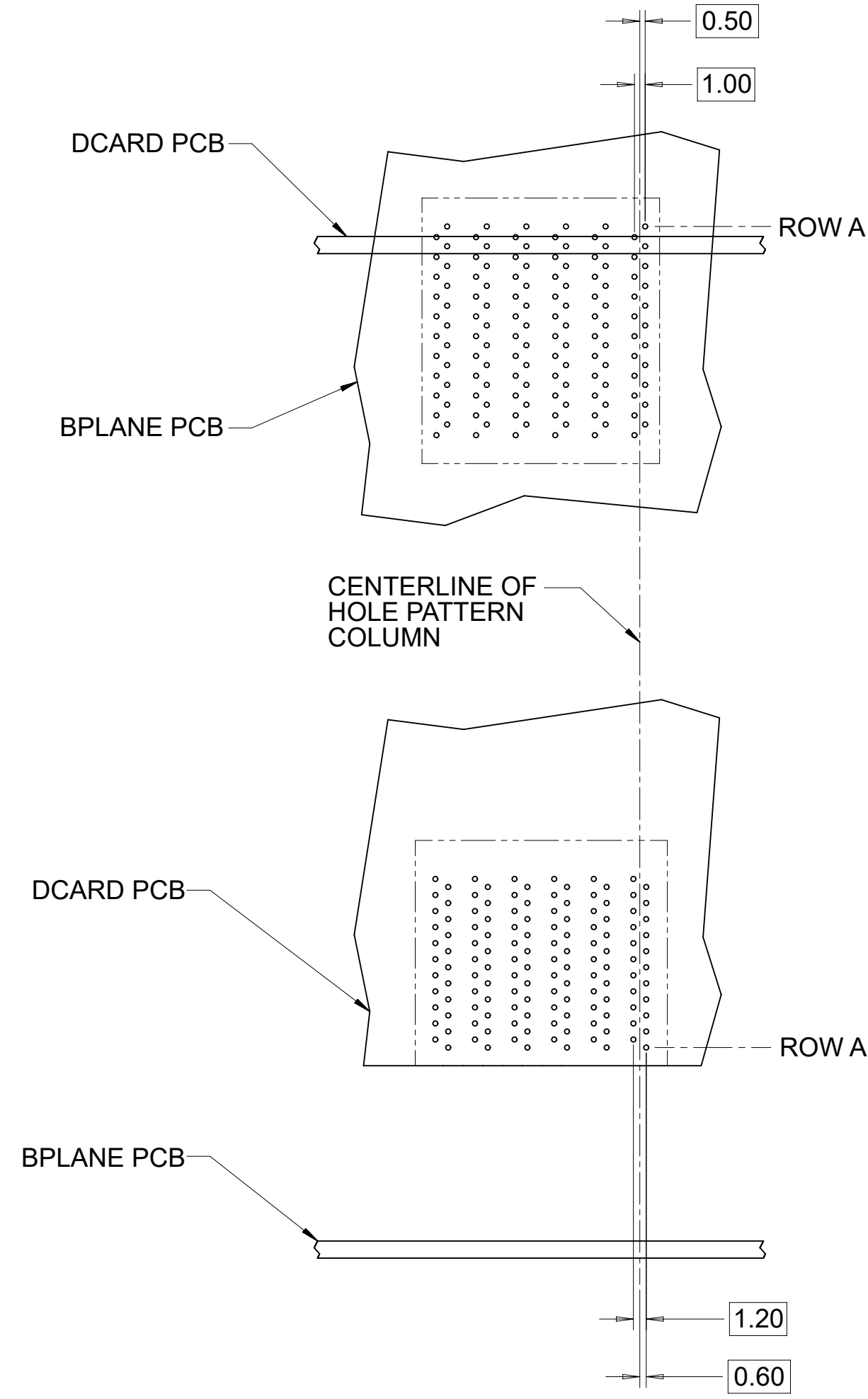
GUIDE LEFT W/END STYLE



NOTES:

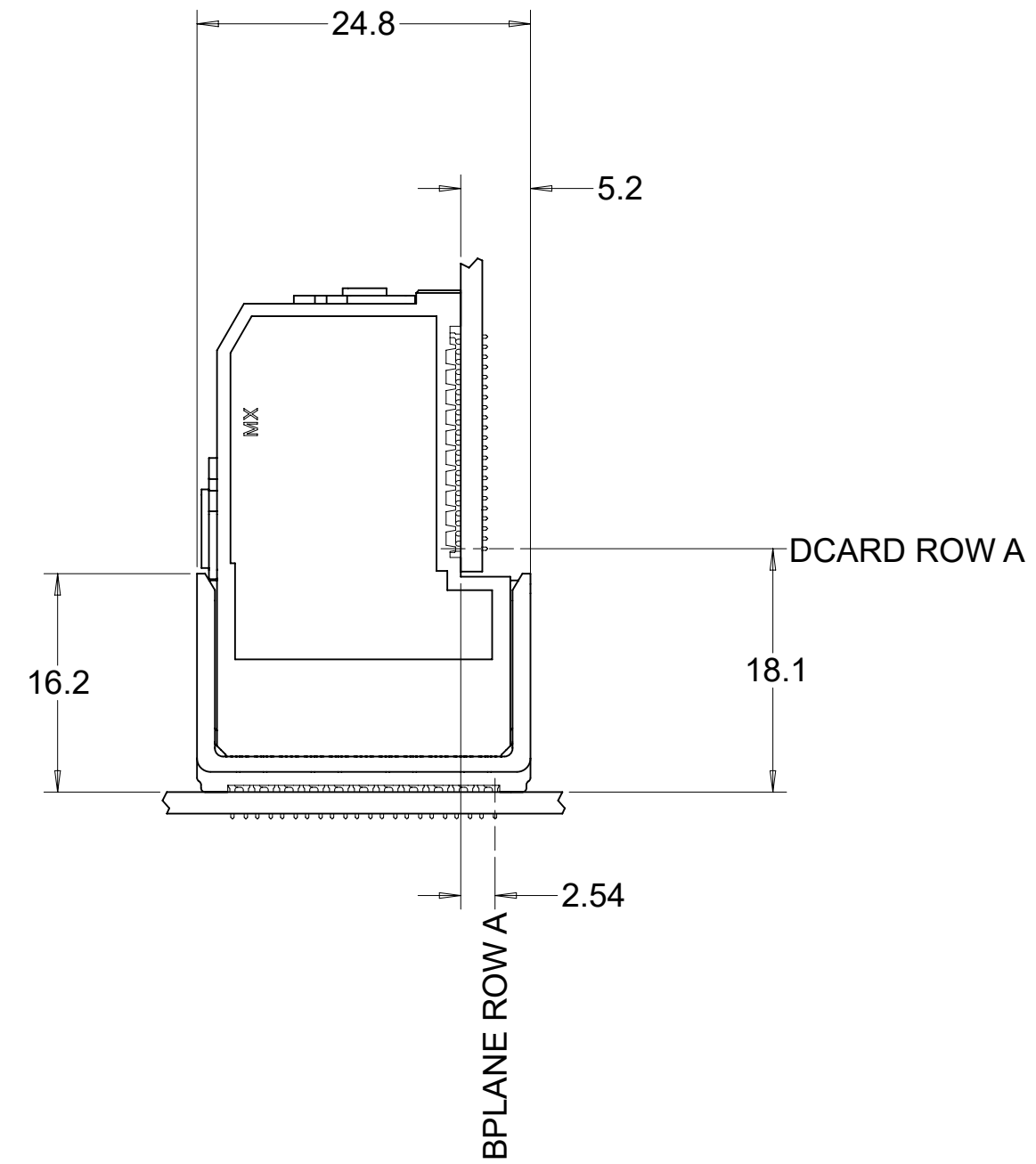
- MATERIALS: HOUSING - LIQUID CRYSTAL POLYMER (LCP) GLASS-FILLED, UL94V-0  
 TERMINALS - HIGH PERFORMANCE COPPER ALLOY
- FINISH: 10 MICROINCH MINIMUM GOLD OR 30 MICROINCH MINIMUM GOLD IN CONTACT AREA. SELECTIVE MATTE TIN ON PCB TAILS, NICKEL OVERALL.
- REFER TO MOLEX PRODUCT SPECIFICATION PS-75710-999 FOR PERFORMANCE SPECIFICATIONS.
- FOR MIXED CONTACT MATING LENGTHS, CONSULT MOLEX FOR AVAILABILITY.
- THIS PART CONFORMS TO CLASS B REQUIREMENTS OF MOLEX COSMETIC SPEC PS-45499-002.
- PACKAGE PER: PK-70873-587.
- GUIDED PARTS TO BE SHIPPED WITH 2-56 UNC B SCREW P/N 73774-1000.
- FOR GROUNDED GUIDE PINS USE DIA 3.56+/- 0.08 (PTH), DIA 3.66(DRILL), AND DIA 6.5 (PAD).
- REFER TO PCB ROUTING GUIDE FOR ANTIPAD AND ROUTING RECOMMENDATIONS.

|   |  |        |  |   |  |                |  |                 |  |
|---|--|--------|--|---|--|----------------|--|-----------------|--|
| THIS DRAWING CONTAINS INFORMATION THAT IS PROPRIETARY TO MOLEX ELECTRONIC TECHNOLOGIES, LLC AND SHOULD NOT BE USED WITHOUT WRITTEN PERMISSION |  |        |  |   |  |                |  |                 |  |
| DIMENSION UNITS   |  | SCALE  |  | CURRENT REV DESC: REMASTERED TO NX  |  |                |  |                 |  |
| mm  |  | NTS    |  |   |  |                |  |                 |  |
| GENERAL TOLERANCES (UNLESS SPECIFIED)   |  |        |  |   |  |                |  |                 |  |
| ANGULAR TOL   |  | ± 0.5° |  | EC NO: 671119<br>DRWN: YOGEEB 2021/06/21<br>CHK'D: MMALLIGEVALU 2022/01/28<br>APPR: CWANG25 2022/02/18      |  |                |  |                 |  |
| 4 PLACES  |  | ±      |  | INITIAL REVISION:<br>DRWN: BPISZCZOR 2006/06/06<br>APPR: JLAURX 2006/06/12                                  |  |                |  |                 |  |
| 3 PLACES  |  | ±      |  |   |  |                |  |                 |  |
| 2 PLACES  |  | ± 0.13 |  | PRODUCT CUSTOMER DRAWING<br>DOCUMENT NUMBER: SD-75705-002<br>DOC TYPE: PSD<br>DOC PART: 001<br>REVISION: E1 |  |                |  |                 |  |
| 1 PLACE   |  | ± 0.25 |  |   |  |                |  |                 |  |
| 0 PLACES  |  | ±      |  | THIRD ANGLE PROJECTION  |  | DRAWING        |  | SERIES          |  |
| DRAFT WHERE APPLICABLE MUST REMAIN WITHIN DIMENSIONS  |  |        |  | C-SIZE  |  | 75705          |  | MATERIAL NUMBER |  |
|   |  |        |  | SEE TABLE   |  | GENERAL MARKET |  | SHEET NUMBER    |  |
|   |  |        |  |   |  |                |  | 2 OF 4          |  |



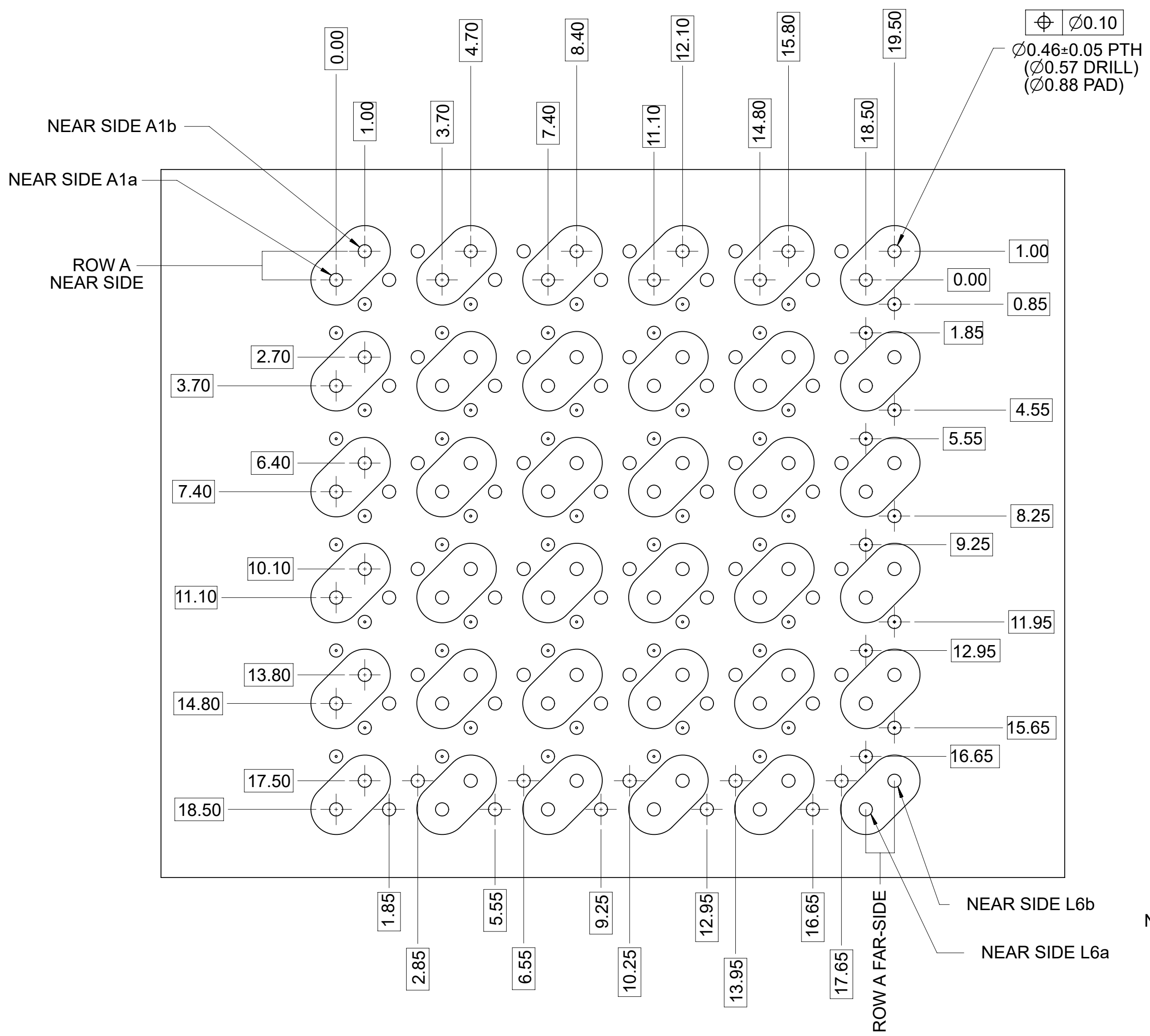
**I-TRAC 11 ROW  
BOARD RELATIONSHIPS**

SCALE 2:1



THIS DRAWING CONTAINS INFORMATION THAT IS PROPRIETARY TO MOLEX ELECTRONIC TECHNOLOGIES, LLC AND SHOULD NOT BE USED WITHOUT WRITTEN PERMISSION

|  |  |       |  |                                    |  |         |  |  |  |                 |  |                |  |              |  |
|--|--|-------|--|------------------------------------|--|---------|--|--|--|-----------------|--|----------------|--|--------------|--|
| DIMENSION UNITS                                      |  | SCALE |  | CURRENT REV DESC: REMASTERED TO NX |  |         |  |  |  |                 |  |                |  |              |  |
| mm   |  | NTS   |  |                                    |  |         |  |  |  |                 |  |                |  |              |  |
| GENERAL TOLERANCES (UNLESS SPECIFIED)                |  |       |  | EC NO: 671119                      |  |         |  | <b>I-TRAC BACKPLANE HEADER<br/>GUIDE LEFT ASSEMBLY SALES DRAWING</b> |  |                 |  |                |  |              |  |
| ANGULAR TOL ± 0.5°                                   |  |       |  | DRWN: YOGEEB 2021/06/21            |  |         |  |  |  |                 |  |                |  |              |  |
| 4 PLACES ±   |  |       |  | CHK'D: MMALLIGEVALU 2022/01/28     |  |         |  | <b>PRODUCT CUSTOMER DRAWING</b>                                      |  |                 |  |                |  |              |  |
| 3 PLACES ±   |  |       |  | APPR: CWANG25 2022/02/18           |  |         |  |  |  |                 |  |                |  |              |  |
| 2 PLACES ± 0.13                                      |  |       |  | INITIAL REVISION:                  |  |         |  | DOCUMENT NUMBER<br><b>SD-75705-002</b>                               |  |                 |  |                |  |              |  |
| 1 PLACE ± 0.25                                       |  |       |  | DRWN: BPISZCZOR 2006/06/06         |  |         |  |  |  |                 |  |                |  |              |  |
| 0 PLACES ±   |  |       |  | APPR: JLAURX 2006/06/12            |  |         |  | DOC TYPE   |  | DOC PART        |  | REVISION       |  |              |  |
| DRAFT WHERE APPLICABLE MUST REMAIN WITHIN DIMENSIONS |  |       |  | THIRD ANGLE PROJECTION             |  | DRAWING |  | SERIES   |  | MATERIAL NUMBER |  | CUSTOMER       |  | SHEET NUMBER |  |
|  |  |       |  |                                    |  | C-SIZE  |  | 75705  |  | SEE TABLE       |  | GENERAL MARKET |  | 3 OF 4       |  |



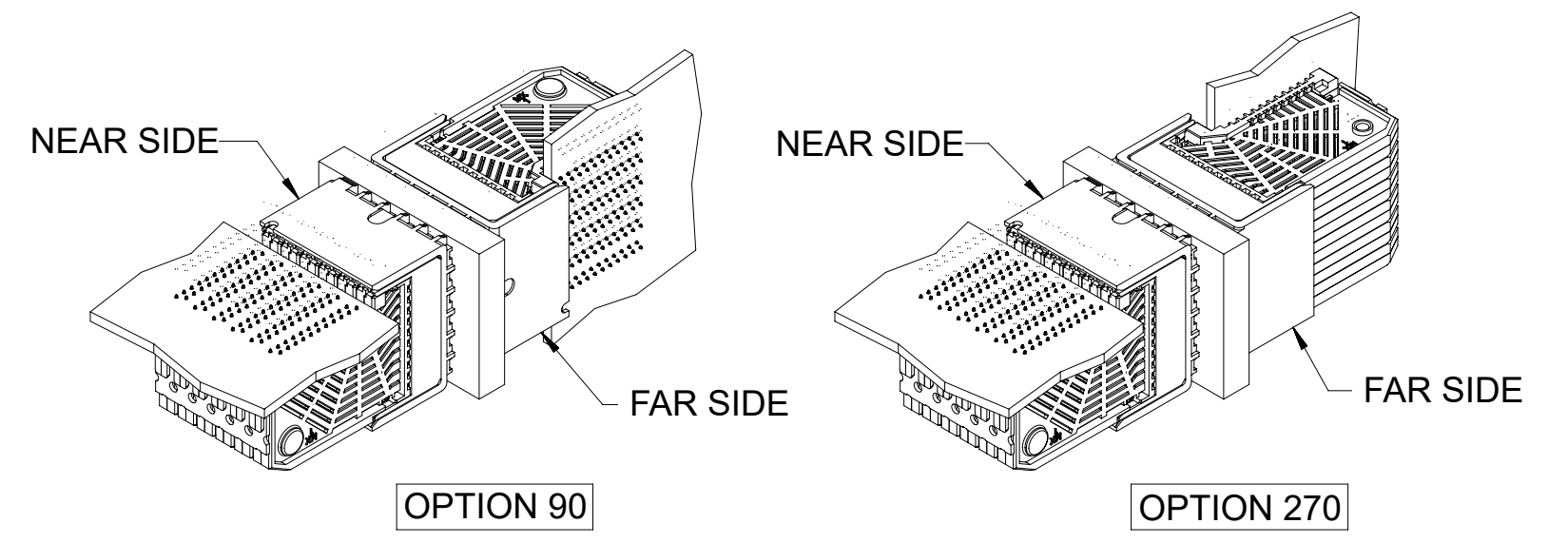
Orthogonal PCB Layout

NOTES:

- SIGNAL PAIRS (SHARED VIAS)
- NEAR SIDE GROUNDS
- FAR SIDE GROUNDS

| ORTHO PIN MAPPING                |         |         |         |         |         |
|----------------------------------|---------|---------|---------|---------|---------|
| OPTION 90 (NEAR SIDE - FAR SIDE) |         |         |         |         |         |
| A1b-L6b                          | A2b-J6b | A3b-G6b | A4b-E6b | A5b-C6b | A6b-A6b |
| A1a-L6a                          | A2a-J6a | A3a-G6a | A4a-E6a | A5a-C6a | A6a-A6a |
| C1b-L5b                          | C2b-J5b | C3b-G5b | C4b-E5b | C5b-C5b | C6b-A5b |
| C1a-L5a                          | C2a-J5a | C3a-G5a | C4a-E5a | C5a-C5a | C6a-A5a |
| E1b-L4b                          | E2b-J4b | E3b-G4b | E4b-E4b | E5b-C4b | E6b-A4b |
| E1a-L4a                          | E2a-J4a | E3a-G4a | E4a-E4a | E5a-C4a | E6a-A4a |
| G1b-L3b                          | G2b-J3b | G3b-G3b | G4b-E3b | G5b-C3b | G6b-A3b |
| G1a-L3a                          | G2a-J3a | G3a-G3a | G4a-E3a | G5a-C3a | G6a-A3a |
| J1b-L2b                          | J2b-J2b | J3b-G2b | J4b-E2b | J5b-C2b | J6b-A2b |
| J1a-L2a                          | J2a-J2a | J3a-G2a | J4a-E2a | J5a-C2a | J6a-A2a |
| L1b-L1b                          | L2b-J1b | L3b-G1b | L4b-E1b | L5b-C1b | L6b-A1b |
| L1a-L1a                          | L2a-J1a | L3a-G1a | L4a-E1a | L5a-C1a | L6a-A1a |

| ORTHO PIN MAPPING                 |         |         |         |         |         |
|-----------------------------------|---------|---------|---------|---------|---------|
| OPTION 270 (NEAR SIDE - FAR SIDE) |         |         |         |         |         |
| A1b-A1a                           | A2b-C1a | A3b-E1a | A4b-G1a | A5b-J1a | A6b-L1a |
| A1a-A1b                           | A2a-C1b | A3a-E1b | A4a-G1b | A5a-J1b | A6a-L1b |
| C1b-A2a                           | C2b-C2a | C3b-E2a | C4b-G2a | C5b-J2a | C6b-L2a |
| C1a-A2b                           | C2a-C2b | C3a-E2b | C4a-G2b | C5a-J2b | C6a-L2b |
| E1b-A3a                           | E2b-C3a | E3b-E3a | E4b-G3a | E5b-J3a | E6b-L3a |
| E1a-A3b                           | E2a-C3b | E3a-E3b | E4a-G3b | E5a-J3b | E6a-L3b |
| G1b-A4a                           | G2b-C4a | G3b-E4a | G4b-G4a | G5b-J4a | G6b-L4a |
| G1a-A4b                           | G2a-C4b | G3a-E4b | G4a-G4b | G5a-J4b | G6a-L4b |
| J1b-A5a                           | J2b-C5a | J3b-E5a | J4b-G5a | J5b-J5a | J6b-L5a |
| J1a-A5b                           | J2a-C5b | J3a-E5b | J4a-G5b | J5a-J5b | J6a-L5b |
| L1b-A6a                           | L2b-C6a | L3b-E6a | L4b-G6a | L5b-J6a | L6b-L6a |
| L1a-A6b                           | L2a-C6b | L3a-E6b | L4a-G6b | L5a-J6b | L6a-L6b |



|   |  |                     |  |   |  |            |  |                 |  |                |  |          |  |              |  |          |  |
|---|--|---------------------|--|---|--|------------|--|-----------------|--|----------------|--|----------|--|--------------|--|----------|--|
| THIS DRAWING CONTAINS INFORMATION THAT IS PROPRIETARY TO MOLEX ELECTRONIC TECHNOLOGIES, LLC AND SHOULD NOT BE USED WITHOUT WRITTEN PERMISSION |  |                     |  |   |  |            |  |                 |  |                |  |          |  |              |  |          |  |
| DIMENSION UNITS   |  | SCALE               |  | CURRENT REV DESC: REMASTERED TO NX                        |  |            |  |                 |  |                |  |          |  |              |  |          |  |
| mm  |  | NTS                 |  |   |  |            |  |                 |  |                |  |          |  |              |  |          |  |
| GENERAL TOLERANCES (UNLESS SPECIFIED)   |  |                     |  | I-TRAC BACKPLANE HEADER GUIDE LEFT ASSEMBLY SALES DRAWING |  |            |  |                 |  |                |  |          |  |              |  |          |  |
| ANGULAR TOL ± 0.5°  |  |                     |  | PRODUCT CUSTOMER DRAWING                                  |  |            |  |                 |  |                |  |          |  |              |  |          |  |
| 4 PLACES ±  |  | EC NO: 671119       |  | DRWN: YOGEEB  |  | 2021/06/21 |  | DOCUMENT NUMBER |  |                |  | DOC TYPE |  | DOC PART     |  | REVISION |  |
| 3 PLACES ±  |  | CHK'D: MMALLIGEVALU |  | APPR: CWANG25   |  | 2022/01/28 |  | SD-75705-002    |  |                |  | PSD      |  | 001          |  | E1       |  |
| 2 PLACES ± 0.13   |  | INITIAL REVISION:   |  | DRWN: BPISZCZOR   |  | 2006/06/06 |  | MATERIAL NUMBER |  |                |  | CUSTOMER |  | SHEET NUMBER |  |          |  |
| 1 PLACE ± 0.25  |  | APPR: JLAURX        |  | 2006/06/12  |  | SEE TABLE  |  |                 |  | GENERAL MARKET |  | 4 OF 4   |  |              |  |          |  |
| DRAFT WHERE APPLICABLE MUST REMAIN WITHIN DIMENSIONS  |  |                     |  | THIRD ANGLE PROJECTION                                    |  | DRAWING    |  | SERIES          |  | 75705          |  |          |  |              |  |          |  |