

Cat No. 733-714

AK-F 14 Plus

Description

Distribution box - Industrial Quality -, flange type, with open top and bottom, for use with various flanges or to combine multiple AK-F - distribution boxes with combination flange, 1 row, 14 modules with pre-installed height adjustable DIN rail. Integrated ventilation elements included to reduce condensation. Labeling strips included. Additional connection space has standard 35 mm DIN rail installed.

Knockouts on each side:
 2 x M40/50
 2 x M20/25
 2 x M20

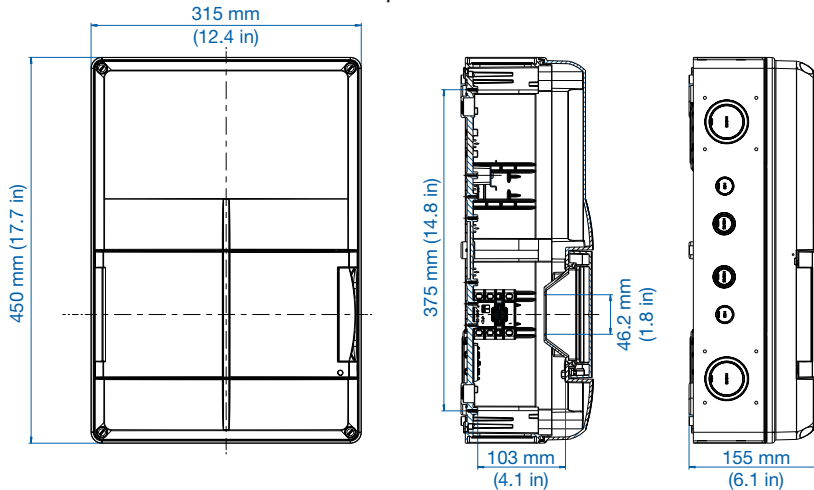
Rear Knockouts:
 2 x M32/40
 6 x M20/25



315 x 450 x 155 mm
 (12.4 x 17.7 x 6.1 in)



Flange end walls sold separately see page 33.



Cat No. 733-728

AK-F 28 Plus

Description

Distribution box - Industrial Quality -, flange type, with open top and bottom, for use with various flanges or to combine multiple AK-F - distribution boxes with combination flange, 2 rows, 28 modules with pre-installed height adjustable DIN rails. Integrated ventilation elements included to reduce condensation. Labeling strips included. Additional connection space has standard 35 mm DIN rail installed.

Knockouts on each side:
 2 x M40/50
 4 x M20/25
 3 x M20

Rear Knockouts:
 2 x M32/40
 8 x M20/25



315 x 600 x 155 mm
 (12.4 x 23.6 x 6.1 in)



Flange end walls sold separately see page 33.

