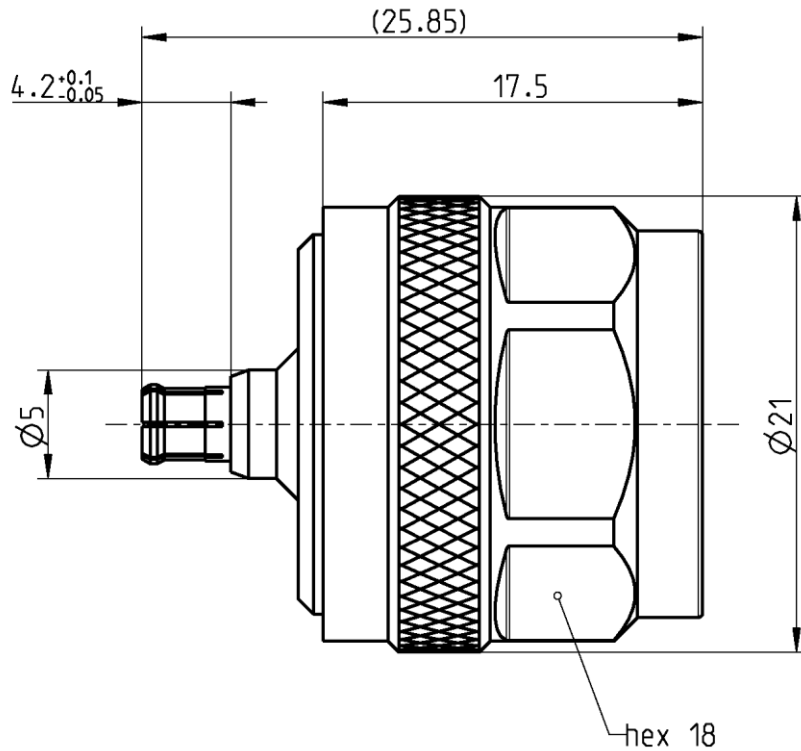


MCX

Adaptor  
MCX Plug – N Plug

**29S153-S00Z5**



All dimensions are in mm; tolerances according to ISO 2768 m-H

**Interface**

According to	MCX side:	CECC 22220, IEC 61169-36
	N side:	IEC 61169-16, MIL-PRF-39012, CECC 22210

**Documents**

N/A

**Material and plating**

**Connector parts**

Center contact  
Outer contact MCX side  
Outer contact N side  
Dielectric

**Material**

Brass  
CuBe  
Brass  
PTFE

**Plating**

AuroDur®, gold plated  
AuroDur®, gold plated  
Nickel, 2.5-5 µm

Dieses Dokument ist urheberrechtlich geschützt • This document is protected by copyright • Rosenberger Hochfrequenztechnik GmbH & Co. KG

RF\_35/09.14/6.2

MCX

Adaptor  
MCX Plug – N Plug

**29S153-S00Z5**

**Electrical data**

Impedance	50 Ω
Frequency	DC to 6 GHz
Return loss	≥ 30 dB, DC to 2 GHz ≥ 28 dB, 2 to 4 GHz ≥ 18 dB, 4 to 6 GHz
Insertion loss	≤ 0.05 x √f(GHz) dB, DC to 4 GHz
Insulation resistance	≥ 1 GΩ
Center contact resistance	≤ 5.0 mΩ, MCX side;    ≤ 1 mΩ, N side
Outer contact resistance	≤ 2.5 mΩ, MCX side;    ≤ 0.25 mΩ, N side
Test voltage	750 V rms
Working voltage	335 V rms
Contact Current	1.5A DC max.

**Mechanical data**

	MCX side	N side
Mating cycles	≥ 500	min. 500
Coupling nut retention	N/A	≥ 450 N
Center contact captivation: axial	≥ 28 N	≥ 28 N
Engagement force	≤ 25 N	N/A
Disengagement force	8 N min. to 20 N max.	N/A
Coupling test torque	N/A	max. 1.7 Nm
Recommended torque	N/A	0.7 Nm to 1.1 Nm

**Environmental data**

Temperature range	-55°C to +155°C
Thermal shock	CECC 22 220, Chapter 4.6.7
Vibration	CECC 22 220, Chapter 4.6.3
Corrosion	CECC 22 220, Chapter 4.6.10
Moisture resistance	CECC 22 220, Chapter 4.6.6
RoHS	compliant

**Tooling**

N/A

**Suitable cables**

N/A

**Weight**

Weight 26.2 g/pce

While the information has been carefully compiled to the best of our knowledge, nothing is intended as representation or warranty on our part and no statement herein shall be construed as recommendation to infringe existing patents. In the effort to improve our products, we reserve the right to make changes judged to be necessary.

For the installation of the electrotechnical equipment, particular electrotechnical expertise is required.



Dieses Dokument ist urheberrechtlich geschützt • This document is protected by copyright • Rosenberger Hochfrequenztechnik GmbH & Co. KG

RF\_35/09.14/6.2

Draft	Date	Approved	Date	Rev.	Engineering change number	Name	Date
Inge Mühlauer	30.08.04	Chr. Janßen	04.11.20	e00	20-1927	S. Huber-Siegl	04.11.20
Rosenberger Hochfrequenztechnik GmbH & Co. KG P.O.Box 1260 D-84526 Tittmoning Germany <a href="http://www.rosenberger.de">www.rosenberger.de</a>						Tel. : +49 8684 18-0 Email : <a href="mailto:info@rosenberger.de">info@rosenberger.de</a>	
						Page 2 / 2	