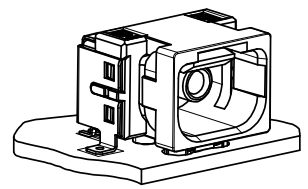
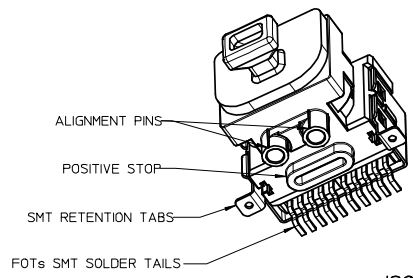
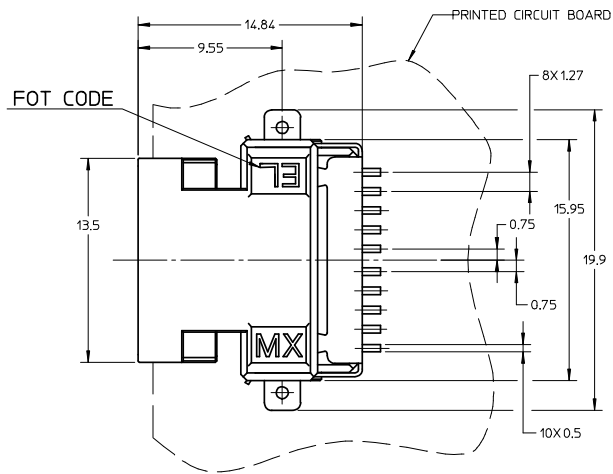


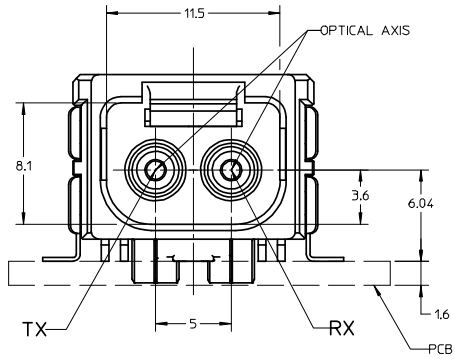
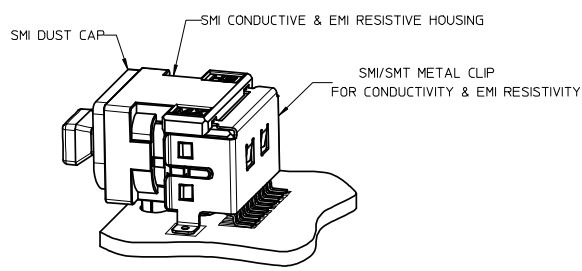
SMI/SMT TRANSCEIVER ASSEMBLY P/N	FOT's TYPE	FOT CODE
1061082200	IEEE-1394/ DIGITAL FDL300K	IE
1061083200	10/100 ETHERNET EDL300K	EL
1061084200	INDUSTRIAL DATA LINK IDL300K	ID



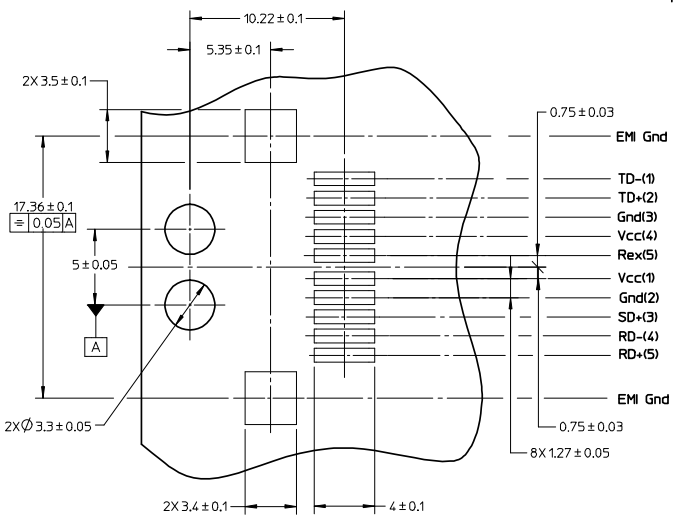
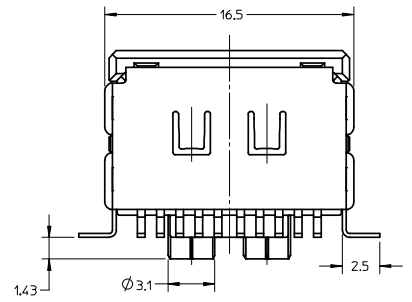
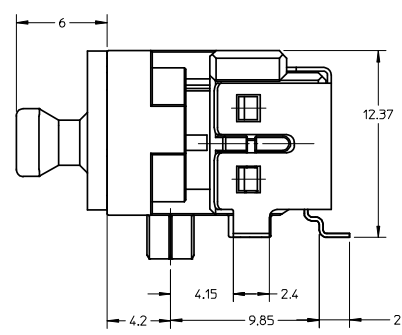
ISOMETRIC VIEWS
SCALE 2.5:1



DUST CAP NOT SHOWN



SMI TRANSCEIVER ASSEMBLY
MOUNTED ON THE PCB
DUST CAP NOT SHOWN



RECOMMENDED PCB LAYOUT

NOTE:
1. ALL DIMENSIONS ARE FOR REFERENCE ONLY EXCEPT FOR RECOMMENDED PCB LAYOUT.
2. ATTACHMENT OF THE COMPONENT TO THE PCB SHALL BE VIA HOT BAR, LASER OR IR SOLDERING.
RE-FLOW OVEN SOLDERING IS NOT APPROVED AT THIS TIME.

ENTER DESCRIPTION EC NO: MF2008-0555 DRWN:SMIGO 2008/06/11 CHKD: 2008/06/11 APPR:SMIGO 2008/06/26	QUALITY SYMBOLS ▽=0 ▽=0	GENERAL TOLERANCES (UNLESS SPECIFIED)		DIMENSION STYLE MM ONLY		SCALE 4:1	DESIGN UNITS METRIC	THIRD ANGLE PROJECTION	
		mm	INCH	DRAWN BY	DATE	TITLE	SMI TRANSCEIVER ASSEMBLY SURFACE MOUNT SOLDERING		
4 PLACES ±	---	±	---	BG	09/12/06				
3 PLACES ±	---	±	---	CHECKED BY	DATE				
2 PLACES ±	---	±	---	SE	9/15/06				
1 PLACE ±	---	±	---	APPROVED BY	DATE				
ANGULAR ±1/2°		MATERIAL NO. SEE TABLE		DOCUMENT NO. SD-106108-X200		SHEET NO. 1 OF 1			
DRAFT WHERE APPLICABLE MUST REMAIN WITHIN DIMENSIONS		THIS DRAWING CONTAINS INFORMATION THAT IS PROPRIETARY TO MOLEX INCORPORATED AND SHOULD NOT BE USED WITHOUT WRITTEN PERMISSION							