



Dynamic Series | Dynamic 3000 Series

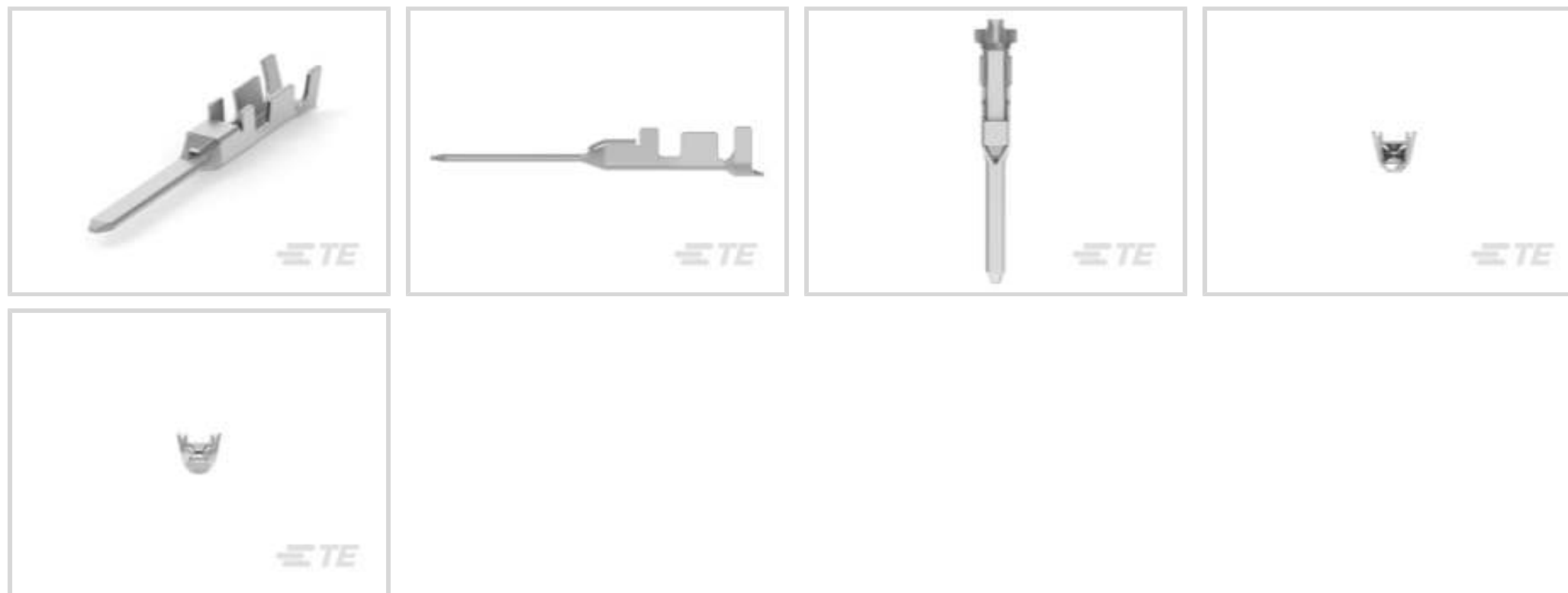
TE Internal #: 917485-5

Connector Contact, Tab, Component-to-Wire, 16 – 14 AWG Wire Size, 1.23 – 2.27 mm² Wire Size, Tin, Reel & Box, Wire & Cable, 15 A, Dynamic 3000 Series

[View on TE.com >](#)

Connectors > PCB Connectors > Wire-to-Board Connectors > Wire-to-Board Connector Contacts >

Contact: Component To Wire; 15A, 28-14 wire size



Contact Type: **Tab**

Connector System: **Component-to-Wire**

Wire Size: **1.23 – 2.27 mm²**

Contact Mating Area Plating Material: **Tin**

[All Contact: Component To Wire; 15A, 28-14 wire size \(91\)](#)

Features

Product Type Features

Connector System	Component-to-Wire
Connector & Contact Terminates To	Wire & Cable

Contact Features

Mating Tab Width	2 mm[.08 in]
Mating Tab Thickness	.64 mm[.025 in]
Contact Type	Tab
Contact Mating Area Plating Material	Tin
Contact Current Rating (Max)	15 A

Dimensions

Wire Size	1.23 – 2.27 mm ²
-----------	-----------------------------

Usage Conditions

Operating Temperature Range	-55 – 105 °C[-67 – 221 °F]
-----------------------------	----------------------------



Operation/Application

Circuit Application	Power & Signal
---------------------	----------------

Packaging Features

Packaging Method	Reel & Box
------------------	------------

Product Compliance

[For compliance documentation, visit the product page on TE.com>](#)

EU RoHS Directive 2011/65/EU	Compliant
EU ELV Directive 2000/53/EC	Compliant
China RoHS 2 Directive MIIT Order No 32, 2016	No Restricted Materials Above Threshold
EU REACH Regulation (EC) No. 1907/2006	Current ECHA Candidate List: JUNE 2023 (235) Candidate List Declared Against: JAN 2023 (233) Does not contain REACH SVHC
Halogen Content	Low Halogen - Br, Cl, F, I < 900 ppm per homogenous material. Also BFR/CFR/PVC Free
Solder Process Capability	Not applicable for solder process capability

Product Compliance Disclaimer

This information is provided based on reasonable inquiry of our suppliers and represents our current actual knowledge based on the information they provided. This information is subject to change. The part numbers that TE has identified as EU RoHS compliant have a maximum concentration of 0.1% by weight in homogenous materials for lead, hexavalent chromium, mercury, PBB, PBDE, DBP, BBP, DEHP, DIBP, and 0.01% for cadmium, or qualify for an exemption to these limits as defined in the Annexes of Directive 2011/65/EU (RoHS2). Finished electrical and electronic equipment products will be CE marked as required by Directive 2011/65/EU. Components may not be CE marked. Additionally, the part numbers that TE has identified as EU ELV compliant have a maximum concentration of 0.1% by weight in homogenous materials for lead, hexavalent chromium, and mercury, and 0.01% for cadmium, or qualify for an exemption to these limits as defined in the Annexes of Directive 2000/53/EC (ELV). Regarding the REACH Regulation, the information TE provides on SVHC in articles for this part number is based on the latest European Chemicals Agency (ECHA) 'Guidance on requirements for substances in articles' posted at this URL: <https://echa.europa.eu/guidance-documents/guidance-on-reach>

Compatible Parts



TE Part # CAT-D9934-A75B
Receptacle and Tab Housing: 5.08 mm Pitch, 250-600V



TE Part # CAT-D9934-A75C
Receptacle and Tab Housing: 5.08 mm pitch, 600V



TE Part # CAT-D9934-A75A
Receptacle and Tab Housing: 3.81 mm pitch, 250V



TE Part # 234168-1
EXTRACTION TOOL(DYNAMIC D-3)




TE Part # 2305570-1
Strip Terminal Cutter-Side Feed-No Crimp



TE Part # 2-2151119-1
OCEAN_2.0_APPLICATOR-S-100F110F



TE Part # 2-2151119-2
OCEAN_2.0_APPLICATOR-S-100F110F



TE Part # 2-2836205-1
OCEAN_2.0_APPLICATOR-S-100F110OV



TE Part # 2-2836205-2
OCEAN_2.0_APPLICATOR-S-100F110OV



TE Part # 2151119-1
OCEAN_2.0_APPLICATOR-S-100F110F



TE Part # 2151119-2
OCEAN_2.0_APPLICATOR-S-100F110F



TE Part # 2836205-1
OCEAN_2.0_APPLICATOR-S-100F110OV



TE Part # 2836205-2
OCEAN_2.0_APPLICATOR-S-100F110OV



TE Part # 7-2151119-1
OCEAN_2.0_APPLICATOR-S-100F110F



TE Part # 7-2151119-2
OCEAN_2.0_APPLICATOR-S-100F110F



TE Part # 7-2151119-7
OCEAN_2.0_SPARE_PART_KIT-110F110F



TE Part # 7-2836205-1
OCEAN_2.0_APPLICATOR-S-100F110OV




TE Part # 7-2836205-2
OCEAN_2.0_APPLICATOR-S-100F110OV




TE Part # 7-2836205-7
OCEAN_2.0_SPARE_PART_KIT-100F110OV

Also in the Series | **Dynamic 3000 Series**



Connector Contacts(3)



Insertion & Extraction Tools(1)



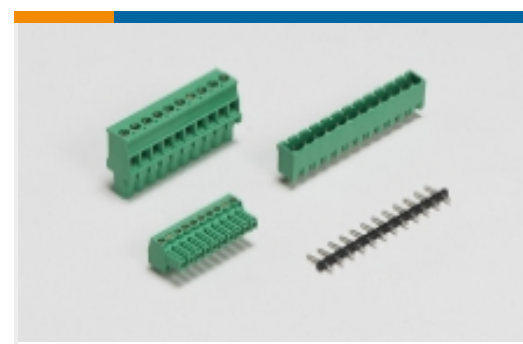
PCB Connector Keying(1)



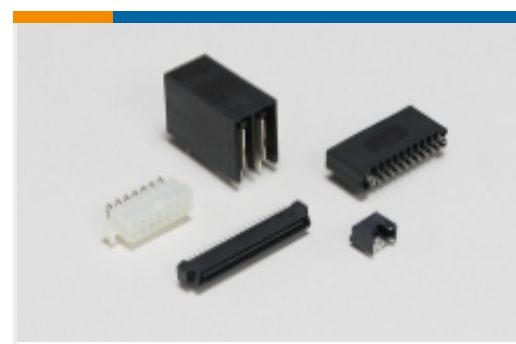
PCB Connector Mounting(8)



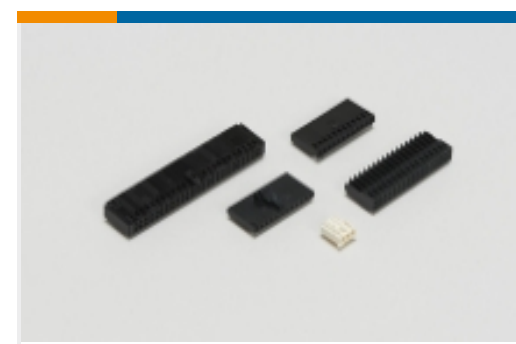
PCB Headers & Receptacles(283)



PCB Terminal Blocks(25)



Standard Rectangular Connectors(2)

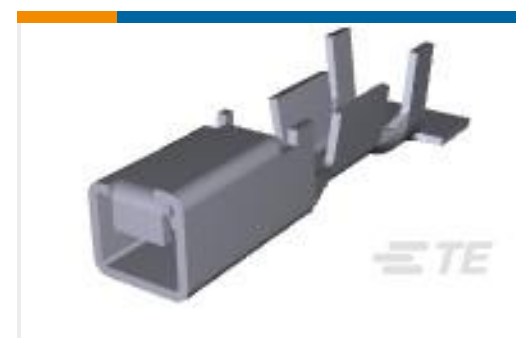


Wire-to-Board Connector Assemblies & Housings(152)



Wire-to-Board Connector Contacts(91)

Customers Also Bought

TE Part #1-917808-3
DYNAMIC D-5200M TAB HSG 6P X-XTE Part #178803-3
Receptacle and Tab Housing: 3.81 mm pitch, 250VTE Part #1-179277-5
DYNAMIC 3200 HDR ASSY 4P HTE Part #1747418-2
DYNAMIC D4200 REC CONT M

Documents

Product Drawings

DYNAMIC D-3 TAB CONT. 2L PRE-TIN

English

CAD Files

3D PDF

3D

Customer View Model

[ENG_CVM_CVM_917485-5_E.2d_dxf.zip](#)

English

Customer View Model

[ENG_CVM_CVM_917485-5_E.3d_igs.zip](#)

English

Customer View Model

[ENG_CVM_CVM_917485-5_E.3d_stp.zip](#)

English

By downloading the CAD file I accept and agree to the [Terms and Conditions](#) of use.



Datasheets & Catalog Pages

[1-1773732-4_DYNAMIC_SERIES_CATALOG_ENGLISH](#)

Japanese

[1-1773732-4_DYNAMIC_SERIES_CATALOG_ENGLISH](#)

English

Product Specifications

[Application Specification](#)

English

Instruction Sheets

[Instruction Sheet \(non U.S.\)](#)

English

Agency Approvals

[TUV Certificate](#)

English