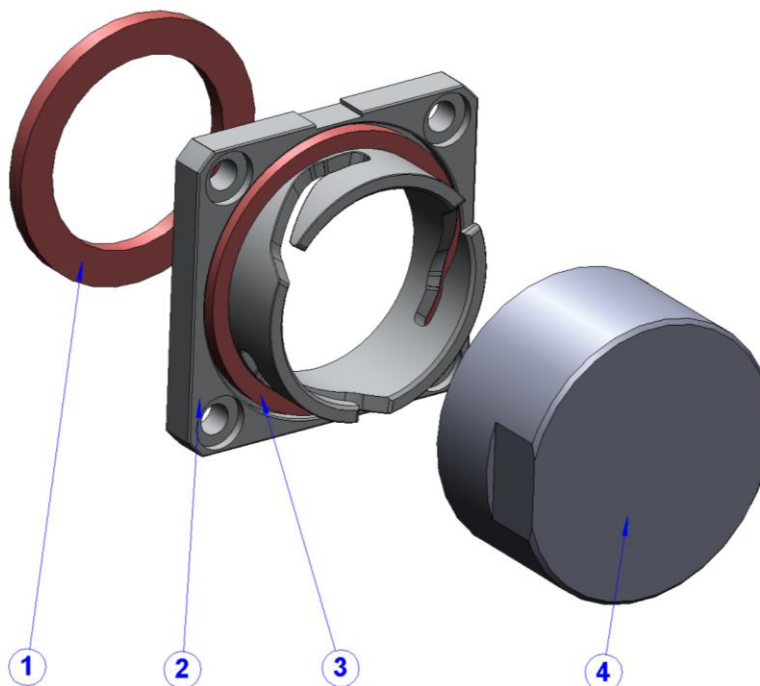


PAGE 1/2	ISSUE 21-08-18B	SERIES R2CT	PART NUMBER R2CT107000
----------	------------------------	--------------------	-------------------------------

Dimensions in mm



DESCRIPTION

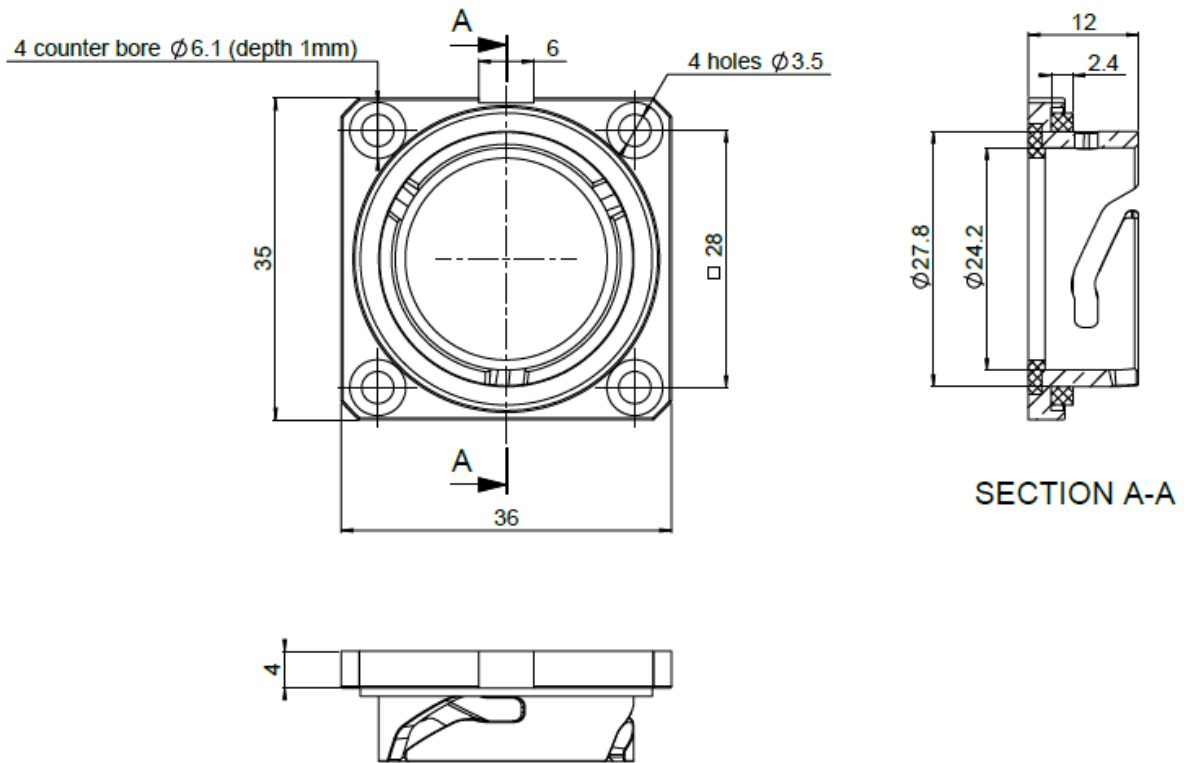
REP	COMPONENT	MATERIALS	PLATING
1	GASKET PANEL SEALING	SILICONE	
2	RECEPTACLE BODY	BRASS	TIN NICKEL OVER COPPER
3	GASKET CONNECTION SEALING	SILICONE	
4	PROTECTION CAP	ALUMINIUM (matt finish)	NONE

GENERAL CHARACTERISTICS

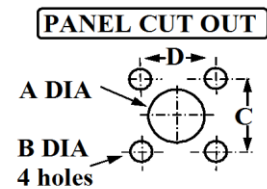
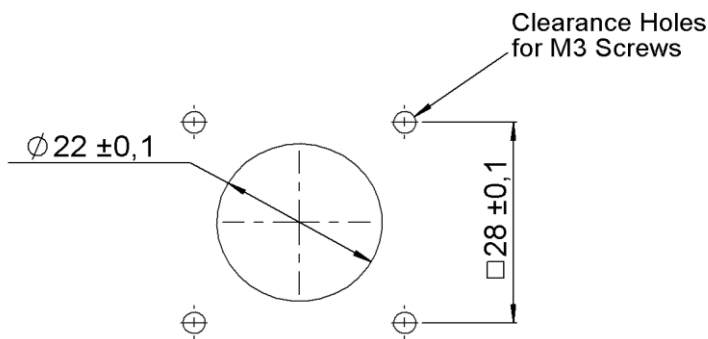
Mechanical Mating endurance Vibrations	IEC 61300-2-2 In accordance with IEC 61300-2-1 IEC 60721-3-4 class 4M5 ET Si EN 300 019-2-4	100 cycles compliant
Environmental Protection class Operating temperature	IEC 60529 IEC 61300-2-22	IP67 mated -40°C to +85°C
Weight	45 g	
Packaging	84 pieces in one cardboard box (volume = 5 L)	

PAGE 2/2	ISSUE 21-08-18B	SERIES R2CT	PART NUMBER R2CT107000
----------	-----------------	-------------	------------------------

Dimensions in mm



PANEL CUT OUT



	mm	
	Maxi	mini
A	21.9	22.1
B	M3	
C	28.1	27.9
D	28.1	27.9