

6

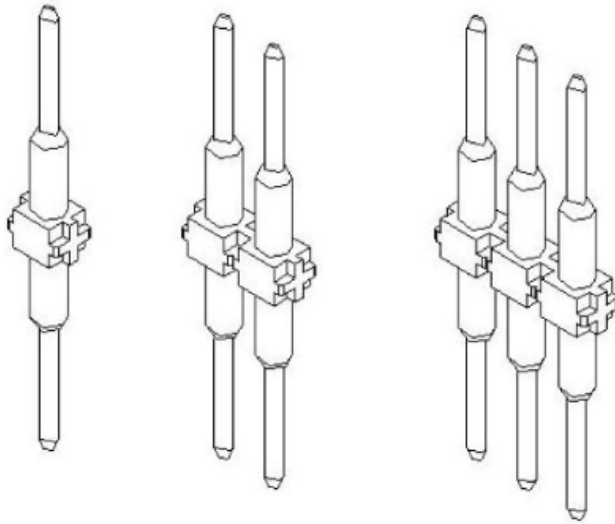
5

4

3

2

1


**MATERIAL SPECIFICATIONS:**

Housing: LCP

Contacts: Phosphor bronze, Tin plated

**ELECTRICAL SPECIFICATIONS:**

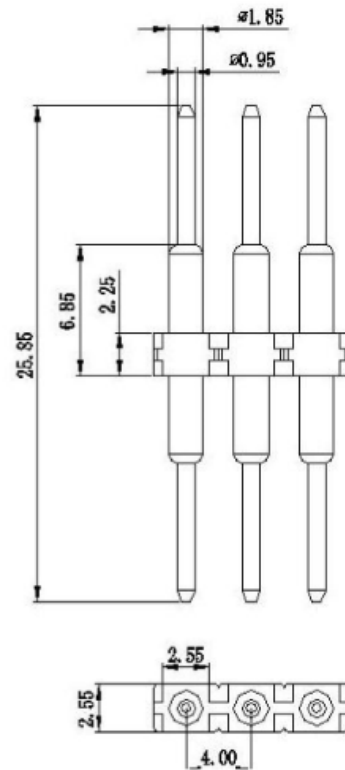
Rated current: 9 Amps max.

Rated voltage: 250V

**ENVIRONMENTAL SPECIFICATIONS:**

Operating Temperature: -40°C ~ +105°C

RoHS COMPLIANT
-------------------



NOTE: REPLACE "X" IN PART NUMBER WITH NUMBER OF POSITIONS

TOLERANCE UNLESS OTHERWISE SPECIFIED X ± 1 X.X ± 0.4 X.XX ± 0.13		<b>Power Dynamics, Inc.</b> Phone: 973 560-0019 Whippany, New Jersey Fax: 973 560-0076	
DRAWN BY PB CHECK BY APPR BY		PART #: <b>PD-LJ4-XP</b> MC: B07-1P SCALE: NTS	
DATE: 3/27/18 DATE: DATE:		PART: 4mm PITCH JUMPERS FOR PD-LTB4-XP & PD-LTB8-2P ALL DIMENSIONS FOR REFERENCE ONLY DIMENSIONS ARE IN MILLIMETERS	
		SHEET 1 of 1 REV:	

**REVISIONS**

REV	DATE	CHANGE	CHK	CHK	APPR

6

5

4

3

2

1