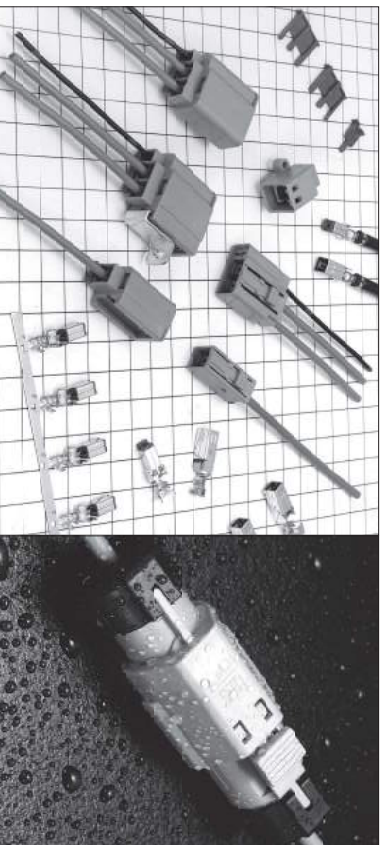


# GT5 Series

—— Connectors for Coaxial Cables ——

(In-line type, Board type, Hybrid type, Waterproof type)



## ■ Features

- **Cost performance:**  
Labor costs can be kept low because signal wires and shield wires can be crimped in one step. Additionally, the cable assembly process is semi-automatic.
- **Excellent high frequency performance**  
Please refer to V.S.W.R data on the following pages.

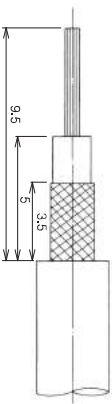
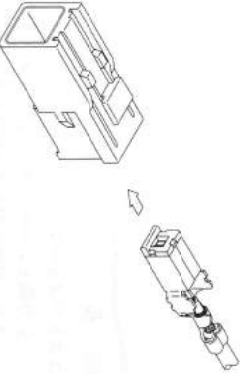
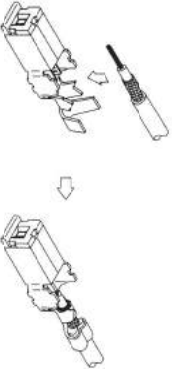
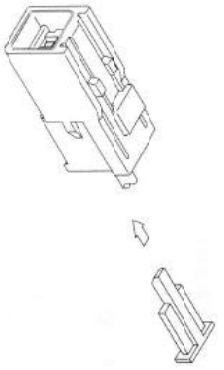
## ■ Applications

For car TV, radio antenna, etc.

◆ TEST DATA (using 1.5D-2V Type cable)

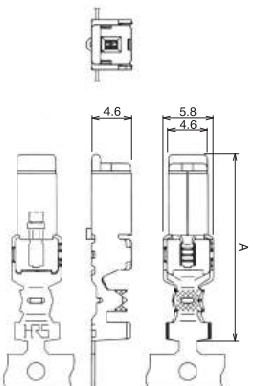


◆ Cable Assembly Instructions

<p>1. Strip the cable.</p> 	<p>3. Insert the terminal into the housing. (Push it in until the housing lance latches.)</p> 
<p>2. Crimp the cable to the terminal.</p> 	<p>4. Attach the retainer (Push in the retainer until it locks.)</p> 

## Terminal for Coaxial Cable

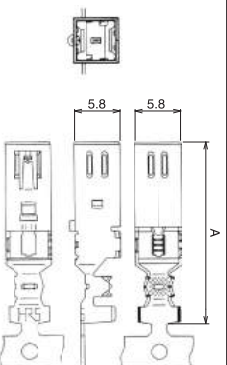
### F Connector Terminals



Part No.	HRS No.	Material / Finish or color	Conductor size	Insulator outer diameter		A	Sales unit	RoHS
				Insulator	Jacket			
GT15-3001-74-SSCF(T0)	755-0006-1-70		AWG#30	φ0.6~0.9	φ1.4~1.8	22.7		
GT15-428116-2-SSCF(T0)	755-0123-6		AWG#24~28	φ1.0~1.4	φ2.0~2.4	22.7		
GT15-428116-2-SSCF(T0)	755-0078-3-70		AWG#30	φ2.3~2.7		21.7	1,300pcs/feet	
GT15-3011-6-2-SSCF(T0)	755-0012-9-70		AWG#30	φ1.5~2.0				
GT15-428116-2-SSCF(T0)	755-0026-1-70	Insulator : PBTD/Black gray	AWG#24~28	φ2.6~3.4				
GT15-42021F12-2-3-PPCF(T0)	755-0071-4-70	Center terminal : Phosphor bronze/Tin plating	AWG#20~22	φ2.0~2.5	φ3.3~3.7			○
GT15-42021F12-2-3-PPCF(T0)	755-0071-2-70	Center terminal : Phosphor bronze/Tin plating	AWG#30	φ2.5~2.9	φ3.6~4.0			
GT15-4281F3-3-SSCF(T0)	755-0016-6-70	Outer terminal : Brass/Tin plating	AWG#24~28			22.7	1,100pcs/feet	
GT15-4281F3-3-SSCF(T0)	755-0016-3-70		AWG#20~22					
GT15-4281F4-5-SCF(T0)	755-0020-3-70		AWG#30	φ3.0~3.6				
GT15-4281F4-5-SCF(T0)	755-0024-4-70		AWG#24~28					
GT15-42021F14-4-SCF(T0)	755-0036-3-70		AWG#20~22					

Note : Products marked with an asterisk (\*) support insulators made of polyethylene foam.

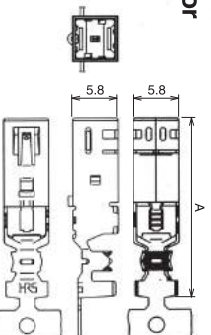
### M Connector Terminals



Part No.	HRS No.	Material / Finish or color	Conductor size	Insulator outer diameter		A	Sales unit	RoHS
				Insulator	Jacket			
GT15-3001-74-SSCF(T0)	755-0017-9-70		AWG#30	φ0.6~0.9	φ1.4~1.8	24.05		
GT15-3011-6-2-SSCF(T0)	755-0021-6-70		AWG#24~28	φ1.5~2.0	φ2.6~3.4	23.05		
GT15-428116-2-3-PPCF(T0)	755-0094-0-70		AWG#20~22	φ2.0~2.5	φ3.3~3.7			
GT15-42021F12-2-3-PPCF(T0)	755-0058-2-70	Insulator : PBTD/Black gray	AWG#20~22	φ2.0~2.5	φ3.3~3.7			○
GT15-42021F12-2-3-PPCF(T0)	755-0058-1-70	Center terminal : Brass/Tin plating	AWG#30	φ2.5~2.9	φ3.6~4.0		900pcs/feet	
GT15-3011-6-2-SSCF(T0)	755-0015-3-70	Outer terminal : Brass/Tin plating	AWG#24~28			24.05		
GT15-4281F3-3-SSCF(T0)	755-0034-5-70		AWG#20~22					
GT15-42021F12-2-3-PPCF(T0)	755-0019-4-70		AWG#30	φ4.6~5.0				
GT15-4281F4-5-PPCF(T0)	755-0023-1-70		AWG#24~28	φ3.0~3.6				
GT15-4281F4-5-PPCF(T0)	755-0023-1-70		AWG#20~22					

Note : Products marked with an asterisk (\*) support insulators made of polyethylene foam.

### Terminal for Low-insertion M Connector

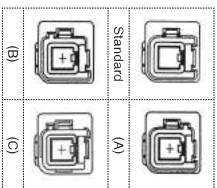
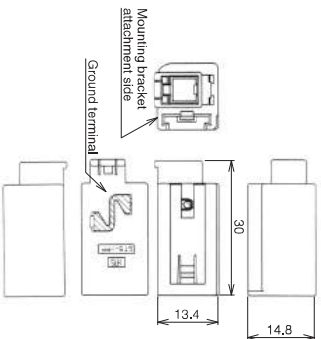


Part No.	HRS No.	Material / Finish or color	Conductor size	Insulator outer diameter	Jacket outer diameter	A	Sales unit	RoHS
GT15-3001-74-5PCF(T0)	755-0068-4-70	Insulator : PBTD/Black gray	AWG#30	φ0.6~0.9	φ1.4~1.8	24.05		
GT15-428116-2-3-PPCF(T0)	755-0078-3-70	Center terminal : Brass/Tin plating	AWG#24~28	φ1.5~2.0	φ2.3~2.7	23.05	900pcs/feet	○
GT15-3011-6-2-3-PPCF(T0)	755-0057-2-70	Outer terminal : Brass/Tin plating	AWG#30	φ2.6~3.4		23.05		
GT15-428116-2-3-PPCF(T0)	755-0066-4-70		AWG#24~28					

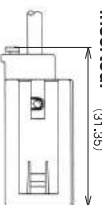


## M Connector

### ● Housing



### ◆ Shown with retainer inserted. (31.35)



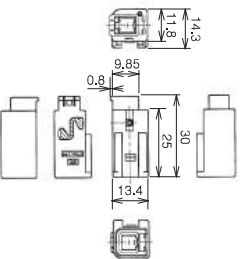
Part No.	HRS No.	Corresponding F Connector Housing	Material / Finish	Color	Key position	Sales unit	RoHS
GT5-1-PP-HU(Z)	755-0005-0-70	GT5-1S-SHU	Housing: PBT Ground terminal: Phosphor bronze / Tin plating	Light gray	Standard	1	○
GT5-1-PP-HU(A)(VZ)	755-0039-1-70	GT5-1S-SHU (A)		Brown	(A)		
GT5-1-PP-HU(B)(VZ)	755-0040-0-70	GT5-1S-SHU (B)		Green	(B)		
GT5-1-PP-HU(C)(VZ)	755-0103-9-70	GT5-1S-SHU (C)		Blue	(C)		

\*See page 17 for panel mounting in-line bracket.

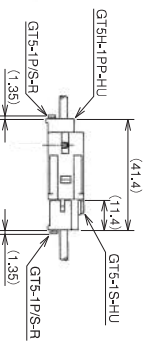
\*Please use a corresponding F connector housing with a matching key type.

\*Use together with separate retainer (GT5-1P/S-R) sold separately.

### ● Housing (H type bracket)



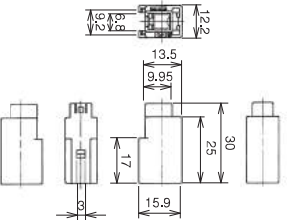
### ◆ Mated Connector



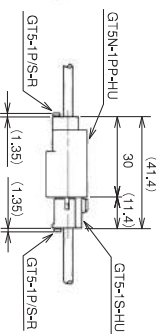
\*Use together with separate retainer (GT5-1P/S-R) sold separately.

Part No.	HRS No.	Material	Color	Corresponding F Connector	Sales unit	RoHS
GT5H-1PP-HU(U)	755-0093-7-10	PBT	Light gray	GT5-1S-SHU GT55R-1S-HU	1	○

### ● Housing (N type bracket)



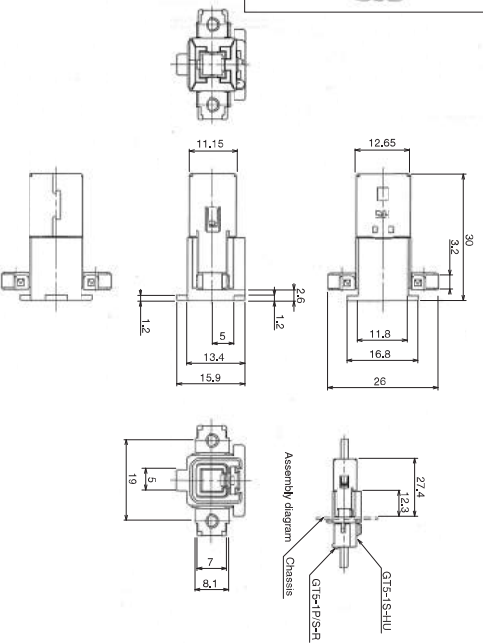
### ◆ Mated Connector



\*Use together with separate retainer (GT5r-P/S-R) sold separately.

Part No.	HRS No.	Material	Color	Corresponding F Connector	Sales unit	RoHS
GT5N-1PP-HU	755-0090-9	PBT	Light gray	GT5-1S-SHU GT55r-1S-HU	1	○

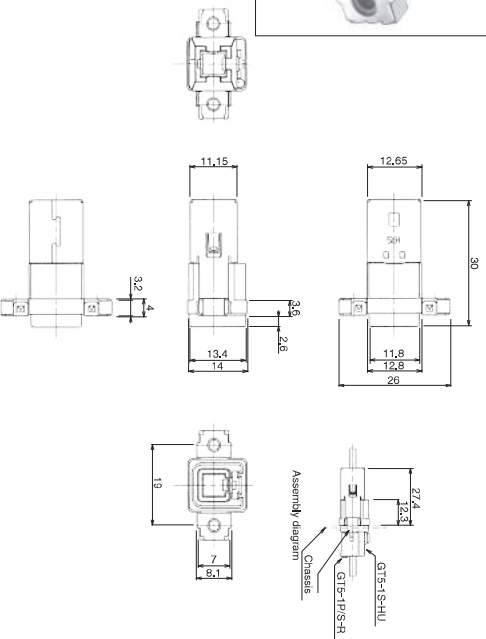




Part No.	HRS No.	Material/ Finish or color	Corresponding F Connector	Sales unit	RoHS
GT5B-1P-HU(70)	755-005-1-70	Housing : PBT/ Light gray Ground terminal : Phosphor bronze/Tin plating	GT5-1S-HU GT5R-1S-HU	1	○

Note 1 : This product does not require a retainer.

Note 2 : Use JIS B 1115 and 1122 class 4, nominal diameter 3, length 6 screws for the mounting screws.



Part No.	HRS No.	Material/ Finish or color	Corresponding F Connector	Sales unit	RoHS
GT5S-1P-HU(70)	755-005-0-4-70	Housing : PBT/ Light gray Ground terminal : Phosphor bronze/Tin plating	GT5-1S-HU GT5R-1S-HU	1	○

Note 1 : This product does not require a retainer.

Note 2 : Use JIS B 1115 and 1122 class 4, nominal diameter 3, length 6 screws for the mounting screws.

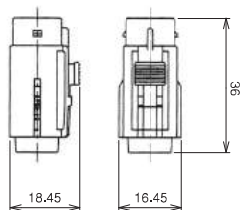




## 1 Pos. for Coaxial Cable, Waterproof type

### ■ F Connector

#### ● Housing

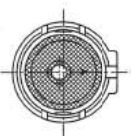
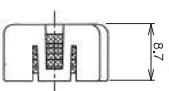
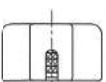
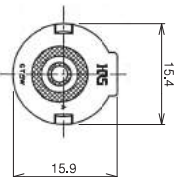


Part No.	HRS No.	Material	Color	Sales unit	RoHS
GT5W-1S-HU	755-0027-2	PBT	Light gray	1	<input type="radio"/>

Note : Use this product with a retainer that matches the cable.

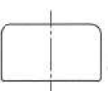


#### ● Retainer (Used with: GT5W-1P-HU, GT5JW-1PP-HU, GT5W-1S-HU, GT5W-1P-HU)



Part No.	HRS No.	Material / Finish or color	Sales unit	RoHS
GT5W-1P/S-R	755-0028-5	Retainer : PBT/Dark gray Rubber : Silicon rubber/light blue	1	<input type="radio"/>

\*This product supports cables with outer diameters of φ2.9 to φ3.4. Waterproofness will depend on the cable. Please contact Hirose Electric if you intend to use cables other than those recommended.

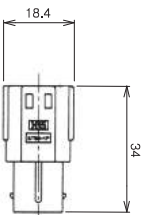
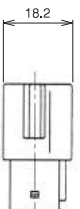
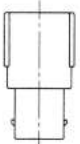


## M Connector

### ● Housing



Part No.	HHS No.	Material / Finish or color	Sales unit	RoHS
GT5W-1P-HU	755-0025-0	Housing : PB/T Light gray Connector seal : Silicon rubber/White	1	○

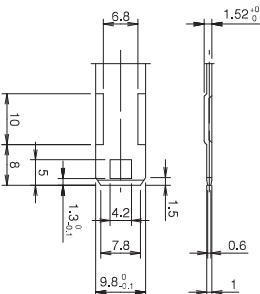


Note - Use this product with a retainer that matches the cable.

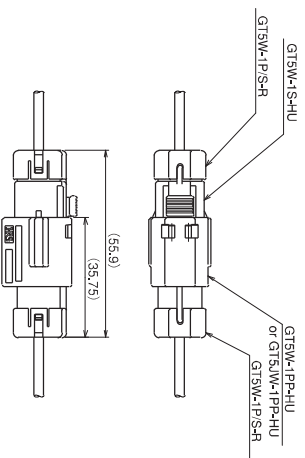


### ◆ Recommended Bracket Dimensions (Used with GT5W-1P-HU)

Please check with Hirose for information on the bracket for GT5W-1P-HU.



### ◆ Mated Connector

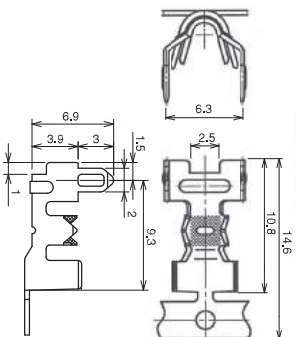
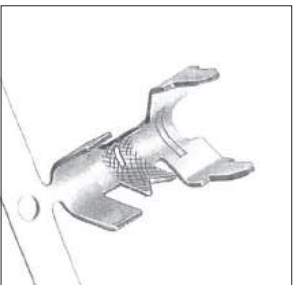


Part No.	HHS No.	Material / Finish or color	Sales unit	RoHS
GT5W-1P-HU	755-0070-1	Housing : PB/T Light gray	1	○
GT5W-1P-HU	755-0069-2	Connector seal : Silicon rubber/White		

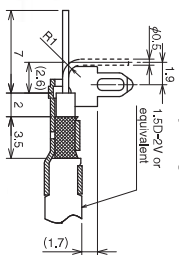
Note - Use this product with a retainer that matches the cable.

## G Terminal

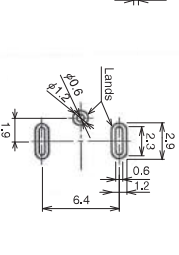
### ■ For Cable Termination Part



### ◆ Recommended Cable Assembly Diagram

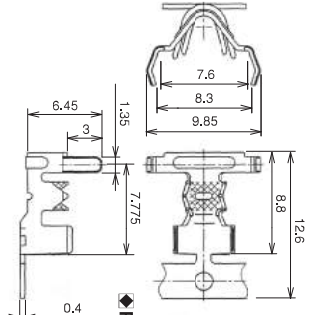


### ◆ Recommended Board Dimensions

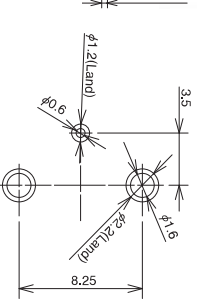


Part No.	HRS No.	Material	Finish	Sales unit	RoHS
GT-A-1-SCF(TO)	755-0032-2-70	Brass	Tin plating	1,500 pcs/steel	○

### ◆ Recommended Cable Assembly Diagram

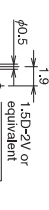


### ◆ Recommended Board Dimensions

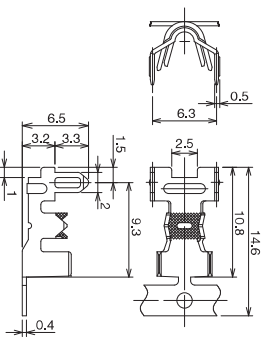
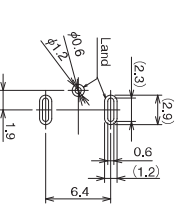


Part No.	HRS No.	Material	Finish	Sales unit	RoHS
GT-B-1-SCF(TO)	755-0049-5-70	Brass	Tin plating	1,500 pcs/steel	○

### ◆ Recommended Cable Assembly Diagram



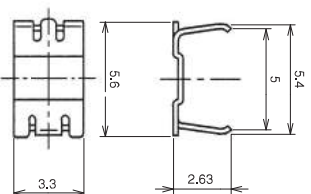
### ◆ Recommended Board Dimensions



Part No.	HRS No.	Material	Finish	Sales unit	RoHS
GT-C-1-SCF	755-0106-7	Brass	Tin plating	1,500 pcs/steel	○

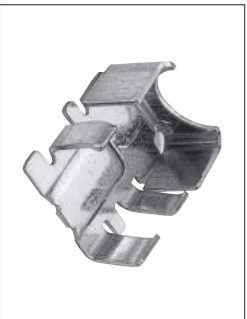


## Shield Plate

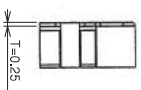
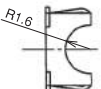
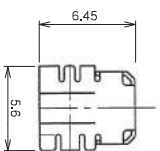


Part No.	HRS No.	Material	Finish	Sales unit	FoHS
GT5-PI-S-CBR(70)	755-0048-2 70	Brass	Tin plating	1	○

Assembled

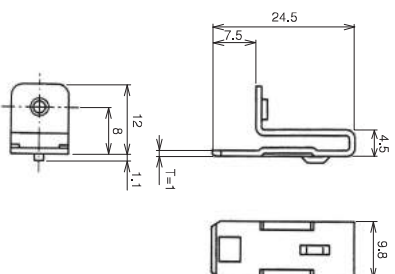


Assembled



Part No.	HRS No.	Material	Finish	Sales unit	FoHS
GT5C-PI-P-CBR(70)	755-0088-7 70	Brass	Tin plating	1	○

## ■ Panel Mount In-line Bracket



Part No.	HRS No.	Material	Finish	Used with connectors	Sales unit	RoHS
GT-BK(70)	751-0039-6-70	SPCC	Tin plating	GT5-1PP-1H(U)(70), GT5-1PP-4H(U)(70), GT5-1PP-4H(U)(Z0), GT5-1PP-4H(D)(Z0), GT5-1PP-4H(E)(Z0), GT5-1PP-4H(F)(Z0), GT5-1PP-4H(G)(Z0), GT5-1PP-4H(I)(Z0), GT5-2PP-1H(U)(70), GT5-2PP-4H(U)(70), GT5-2PP-4H(U)(A)(70), GT5-2PP-4H(D)(Z0)	1	○

## ◆ Crimping Tools

Please ask your Hirose Electric account representative for a user manual.

### Automatic Crimping Machine

Photo for reference only. Subject to change.



### Specifications

Item	Specifications	Remarks
Press capacity	1.5tons	
Stroke length	30mm	
Number of strokes	200spm (50Hz)	200spm (60Hz)
Weight	75kg	
Motor	0.2kW	AC100V
Crimping speed	2,000~4,000/H	

Part No. CM-105C

\*Terminal crimp height setting tables are available for each cable type. Please contact your Hirose Electric account representative.

Please note that we will need to define new crimp heights for novel cables and this may take a few days.

