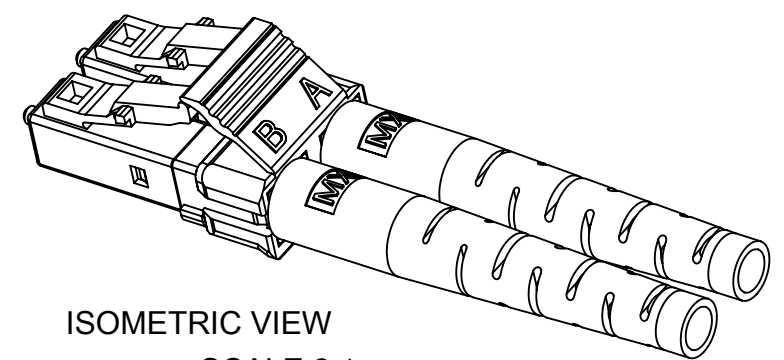
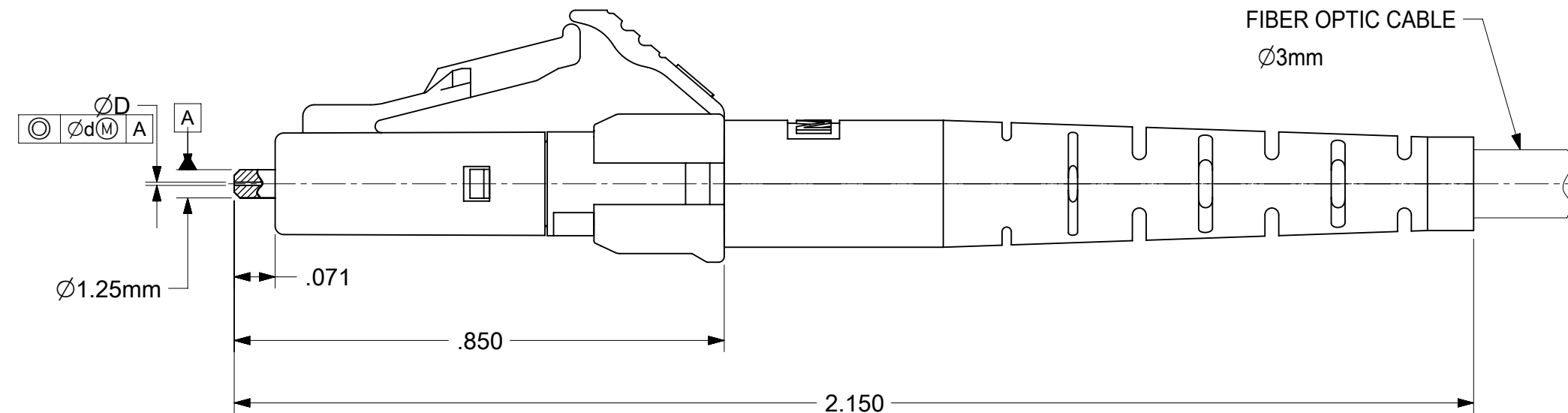
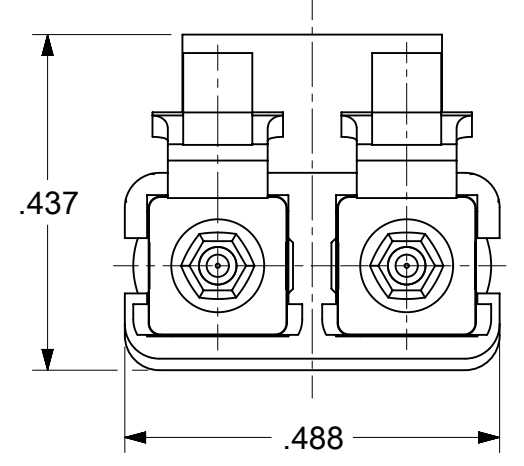
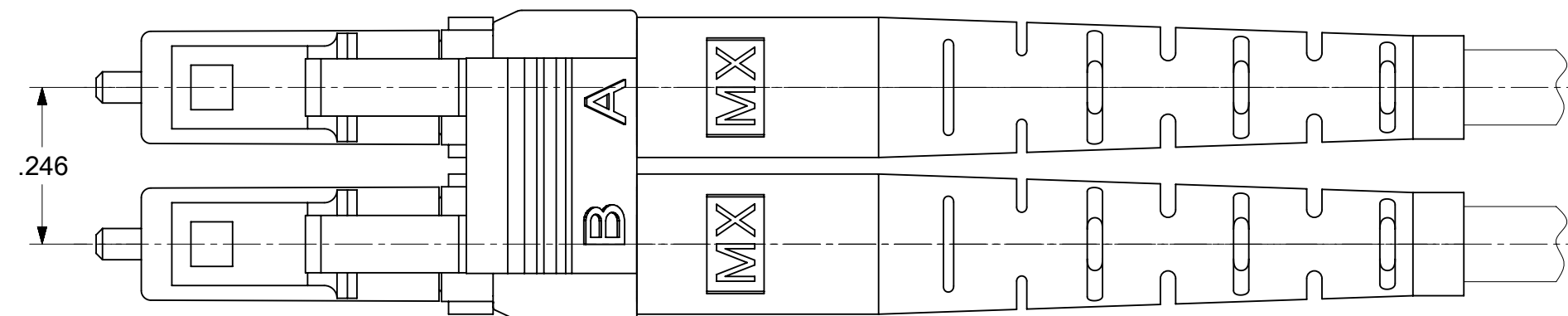


CONNECTOR P/N	∅D (μm)	∅d (μm)	CONN. BODY COLOR	CONN. BOOT COLOR	CABLE TYPE
1060252250	125.5 +1.0/-0	1	BLUE	WHITE	SINGLE MODE
1060253250	127 +0.3/-0	3	BEIGE	WHITE	MULTIMODE
1060253260					
1060254250	125 +0.5/-0	1	BLUE	WHITE	SINGLEMODE
1060255250	126 +0.5/-0				
1060256250	125.25 +0.5/-0	0.5	BLUE	WHITE	SINGLEMODE
1060252270	125.5 +0.5/-0				
3 1060255260	126 +1.0/-0	1	BEIGE	WHITE	MULTIMODE
3 1060253270	127 +3/-0	3			



ISOMETRIC VIEW
SCALE 2:1

- NOTES:
1. ALL DIMENSIONS ARE FOR REFERENCE ONLY.
 2. DUST CAPS ARE NOT SHOWN.
 3. P/N's 1060255260 AND 1060253270 ARE BULK PACKED IN QUANTITIES OF 100PCS.
 4. TUBING P/N 86024-2012 MUST BE SHORTENED AFTER FILLING THE EPOXY ACCORDING TO THE TERMINATION PROCEDURE P/N PS-86028-2000

THIS DRAWING CONTAINS INFORMATION THAT IS PROPRIETARY TO MOLEX ELECTRONIC TECHNOLOGIES, LLC AND SHOULD NOT BE USED WITHOUT WRITTEN PERMISSION									
DIMENSION UNITS	SCALE	CURRENT REV DESC:							
INCH	4:1								
GENERAL TOLERANCES (UNLESS SPECIFIED)		EC NO: 695254			LC DUPLEX CONNECTOR 3MM CABLE APPLICATION				
ANGULAR TOL ± 0.5°		DRWN: JHUANG18 2022/01/20			PRODUCT CUSTOMER DRAWING				
4 PLACES ±		CHKD: IGUMIN 2022/04/29			DOCUMENT NUMBER				
3 PLACES ±		APPR: IGUMIN 2022/04/29			SD-106025-X250				
2 PLACES ±		INITIAL REVISION:			DOC TYPE		DOC PART		REVISION
1 PLACE ±		DRWN: PGIBLIN 2006/02/07			PSD		001		D
0 PLACES ±		APPR: IGUMIN 2006/02/07			MATERIAL NUMBER		CUSTOMER		SHEET NUMBER
DRAFT WHERE APPLICABLE MUST REMAIN WITHIN DIMENSIONS		THIRD ANGLE PROJECTION		DRAWING	SERIES	MATERIAL NUMBER	CUSTOMER		SHEET NUMBER
				B-SIZE	106025	SEE TABLE	GENERAL MARKET		1 OF 1