

| | | | | | | | |
|-----|------|-----------|-----|-------------|-----------|-----|------|
| LOC | DIST | REVISIONS | | | | | |
| A1 | - | P | LTR | DESCRIPTION | DATE | DWN | APVD |
| | | | A | NEW DRAWING | 26SEP2011 | GP | GM |
| | | | | | | | |
| | | | | | | | |

SEE CUSTOMER DRAWING 2141999
Siehe Kundenzeichnung 2141999

2011


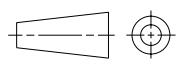
RELEASED FOR PUBLICATION

ALL RIGHTS RESERVED.

Tyco Electronics AMP GmbH

© COPYRIGHT 2011

THIS DRAWING IS UNPUBLISHED.

| | | | | | | | |
|--|---|--|-----------|--|-----------|--------------|---------------|
| DIMENSIONS: | | DWN | 26SEP2011 | MATERIAL | - | FINISH | - |
| mm | | CHK | 26SEP2011 |  TE Connectivity | | | |
| TOLERANCES UNLESS OTHERWISE SPECIFIED: | | APVD | - | | | | |
| 0 PLC | ± | PRODUCT SPEC | - | NAME 10POS. HYBRID RECEPTACLE HOUSING ASSEMBLY | | | |
| 1 PLC | ± | APPLICATION SPEC | - | | | | |
| 2 PLC | ± | WEIGHT | - | SIZE | CAGE CODE | DRAWING NO | RESTRICTED TO |
| 3 PLC | ± |  | - | A 4 | 00779 | ©-2177000 | - |
| 4 PLC | ± | | | | | | |
| ANGLES | ± | CUSTOMER DRAWING | | SCALE | - | SHEET 1 OF 1 | REV A |