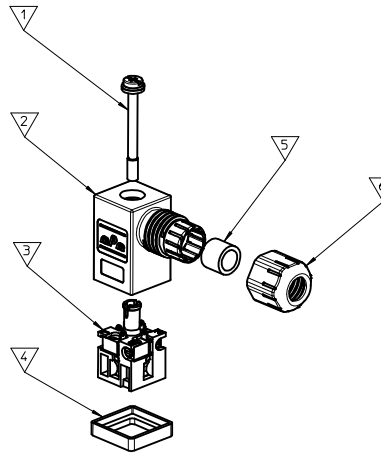


ITEM	DESCRIPTION
1	SCREW
2	EXTERNAL THREAD COVER
3	INSERT
4	GASKET
5	GROMMET
6	EXTERNAL THREAD NUT

C29200NOT\*\*\*\*



SERIES \_\_\_\_\_  
 C29= EXTERNAL THREAD FORM C MICRO  
 POLES \_\_\_\_\_  
 2= 2 POLE & 3= 3 POLE  
 THREAD \_\_\_\_\_  
 00 = EXTERNAL THREAD  
 MATERIAL AND HOUSING COLOR \_\_\_\_\_  
 G= PA6 GREY, N= PA6 BLACK, W= PA6 BLACK V0, T= TRANSPARENT  
 GROUND POSITION \_\_\_\_\_  
 0= UNMOUNTED, 2= H12, 3=H3, 6 =H6 & 9= H9  
 SCREW AND GASKET \_\_\_\_\_  
 U= PROFILE SILICON GASKET AND IP67 SCREW  
 T= PROFILE NBR GASKET AND IP67 SCREW  
 NON STANDARD PACKAGING \_\_\_\_\_  
 CN= BULK PACK UN-MOUNTED  
 SN= BULK PACK MOUNTED  
 ADDITIONAL CODES \_\_\_\_\_  
 SA= UL AGENCY APPROVAL

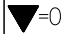
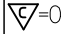

NOTES:

- FOR SPECIFIC PART NUMBERS PLEASE CONTACT SALES OR CONSULT THE INTELLIGENT PART NUMBERS IN THE TABLE ATTACHED
- PACKAGING SPECIFICATION: PLEASE SEE PK-121201-001
- PRODUCT SPECIFICATION: PLEASE SEE PS-121201-001
- CABLE SIZES 3 - 5.5 MM DIAMETER
- TIGHTENING TORQUES: SEE PS-121201-001
- GROUND POSITION SHOWN H12

LAST INSPECTION NUMBER 9

<b>ADDED PART NUMBER</b> EC NO: IPC2013-1466 DRWN:DSHEA 2013/03/21 CHKD:SMCGREEVY 2013/03/21 APPR:STGERFFIN 2013/04/08	<b>QUALITY SYMBOLS</b> ▽=0 ▽=0	<b>GENERAL TOLERANCES (UNLESS SPECIFIED)</b>		<b>DIMENSION STYLE</b> MM ONLY	<b>SCALE</b> 2:1	<b>DESIGN UNITS</b> METRIC	THIRD ANGLE PROJECTION
		4 PLACES ± --- ± --- 3 PLACES ± --- ± --- 2 PLACES ± 0.1 ± --- 1 PLACE ± 0.2 ± --- 0 PLACE ± --- ± ---	mm INCH	DRAWN BY: DMAHER_WEU DATE: 2010/05/10 CHECKED BY: _____ DATE: _____	TITLE: EXTERNAL THREAD C29 SERIES 121205		
DESCRIPTION: _____		ANGULAR ± --- °		APPROVED BY: EFOLAN DATE: 2010/05/25	<b>molex</b>		
DRAFT WHERE APPLICABLE MUST REMAIN WITHIN DIMENSIONS		SEE SHEET 2		MATERIAL NO. _____	DOCUMENT NO. SD-121205-001	SHEET NO. 1 OF 2	

PART NUMBER	mPm NUMBER	DESCRIPTION
1212050001	C29200N0T	FORM C MICRO 2 POLE BLACK NBR GASKET
1212050002	C29200G0T	FORM C MICRO 2 POLE GREY NBR GASKET
1212050003	C29200W0TSA	FORM C MICRO 2 POLE BLACK UL V0 NBR GASKET
1212050004	C29200T0T	FORM C MICRO 2 POLE TRANSPARENT NBR GASKET
1212050005	C29300N0T	FORM C MICRO 3 POLE BLACK NBR GASKET
1212050006	C29300G0T	FORM C MICRO 3 POLE GREY NBR GASKET
1212050007	C29300W0TSA	FORM C MICRO 3 POLE BLACK UL V0 NBR GASKET
1212050008	C29300T0T	FORM C MICRO 3 POLE TRANSPARENT NBR GASKET
1212050009	C29200N0TCN	FORM C MICRO 2 POLE BLACK NBR GASKET
1212050011	C29200W0TCNSA	FORM C MICRO 2 POLE BLACK UL V0 NBR GASKET
1212050012	C29200N2TSN	FORM C MICRO 2 POLE BLACK NBR GASKET
1212050013	C29200W0USA	FORM C MICRO 2 POLE BLACK UL V0 SILICONE GASKET
1212050014	C29300W0USA	FORM C MICRO 3 POLE BLACK UL V0 SILICONE GASKET
1212050015	C29300W0TCNSA	FORM C MICRO 3 POLE BLK UL V0 PA6 NBR BULK
1212050016	C29200W0UCNSA	FORM C MICRO 2 POLE BLK UL V0 PA6 SILICONE BULK
1212050017	C29300W0UCNSA	FORM C MICRO 3 POLE BLK UL V0 PA6 SILICONE BULK
1212050018	C29300G2TSN	FORM C MICRO 3 POLE GREY NBR GASKET
1212050019	C29200T2TSN	FORM C MICRO 2 POLE TRANSPARENT NBR GASKET
1212050020	C29200W6TSNSA	FORM C MICRO 2 POLE BLK UL V0 PA6 NBR BULK
1212050021	C29300N2TSN	FORM C MICRO 3 POLE BLACK NBR GASKET
1212050022	C29300N0U	FORM C MICRO 3 POLE BLACK SILICONE GASKET
1212050023	C29200W2TSNSA	FORM C MICRO 2 POLE BLK UL V0 PA6 NBR BULK
1212050024	C29300N0TCN	FORM C MICRO 3 POLE BLACK NBR GASKET

SEE SHEET 1 EC NO: IPG2013-1466 DRWNG: SHEA 2013/03/21 CHKD: SMC GREVY 2013/03/21 APPR: STGERFFIN 2013/04/08	QUALITY SYMBOLS  = 0  = 0	GENERAL TOLERANCES (UNLESS SPECIFIED) <table border="1"> <thead> <tr> <th></th> <th>mm</th> <th>INCH</th> </tr> </thead> <tbody> <tr><td>4 PLACES</td><td>± .005</td><td>± .0008</td></tr> <tr><td>3 PLACES</td><td>± .008</td><td>± .0010</td></tr> <tr><td>2 PLACES</td><td>± 0.1</td><td>± .004</td></tr> <tr><td>1 PLACE</td><td>± 0.2</td><td>± .008</td></tr> <tr><td>0 PLACE</td><td>± .005</td><td>± .0008</td></tr> </tbody> </table>		mm	INCH	4 PLACES	± .005	± .0008	3 PLACES	± .008	± .0010	2 PLACES	± 0.1	± .004	1 PLACE	± 0.2	± .008	0 PLACE	± .005	± .0008	DIMENSION STYLE <b>MM ONLY</b> DRAWN BY: DMAHER_WEU DATE: 2010/05/10 CHECKED BY: _____ DATE: _____ APPROVED BY: EFOLAN DATE: 2010/05/25 MATERIAL NO. _____ DOCUMENT NO. SD-121205-001	SCALE: 1:1 DESIGN UNITS: METRIC THIRD ANGLE PROJECTION TITLE: EXTERNAL THREAD C29 SERIES 121205 	SHEET NO. 2 OF 2
		mm	INCH																				
	4 PLACES	± .005	± .0008																				
	3 PLACES	± .008	± .0010																				
2 PLACES	± 0.1	± .004																					
1 PLACE	± 0.2	± .008																					
0 PLACE	± .005	± .0008																					
ANGLULAR ± .005° DRAFT WHERE APPLICABLE MUST REMAIN WITHIN DIMENSIONS	SIZE A2	THIS DRAWING CONTAINS INFORMATION THAT IS PROPRIETARY TO MOLEX INCORPORATED AND SHOULD NOT BE USED WITHOUT WRITTEN PERMISSION																					