

Handle Series FG9

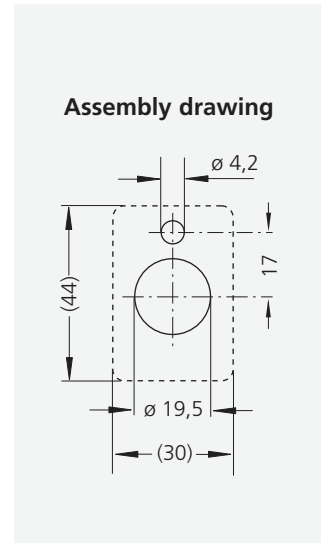
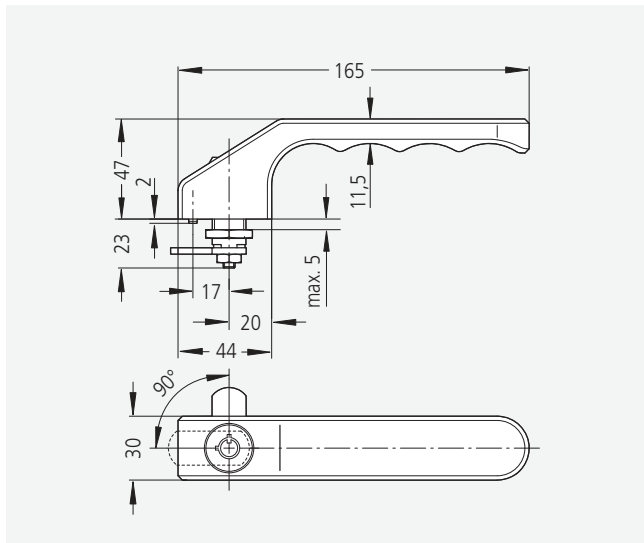
Handle lever for fastening on machines and technical installations.

Material and surface:

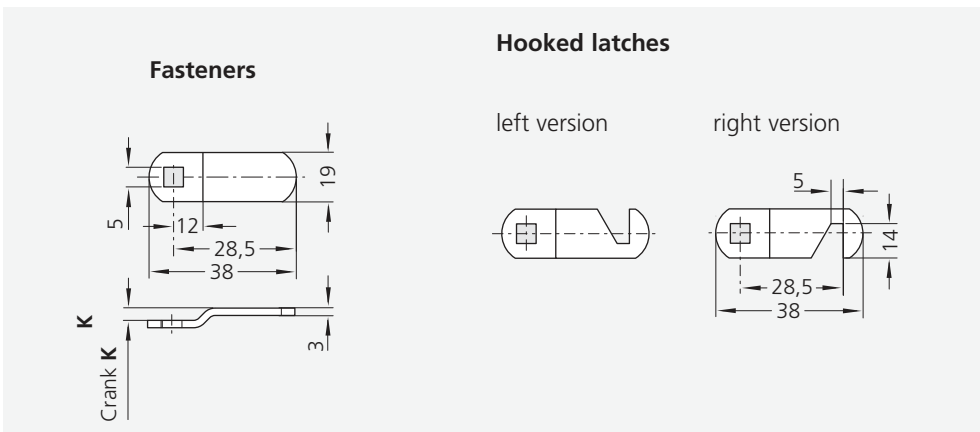
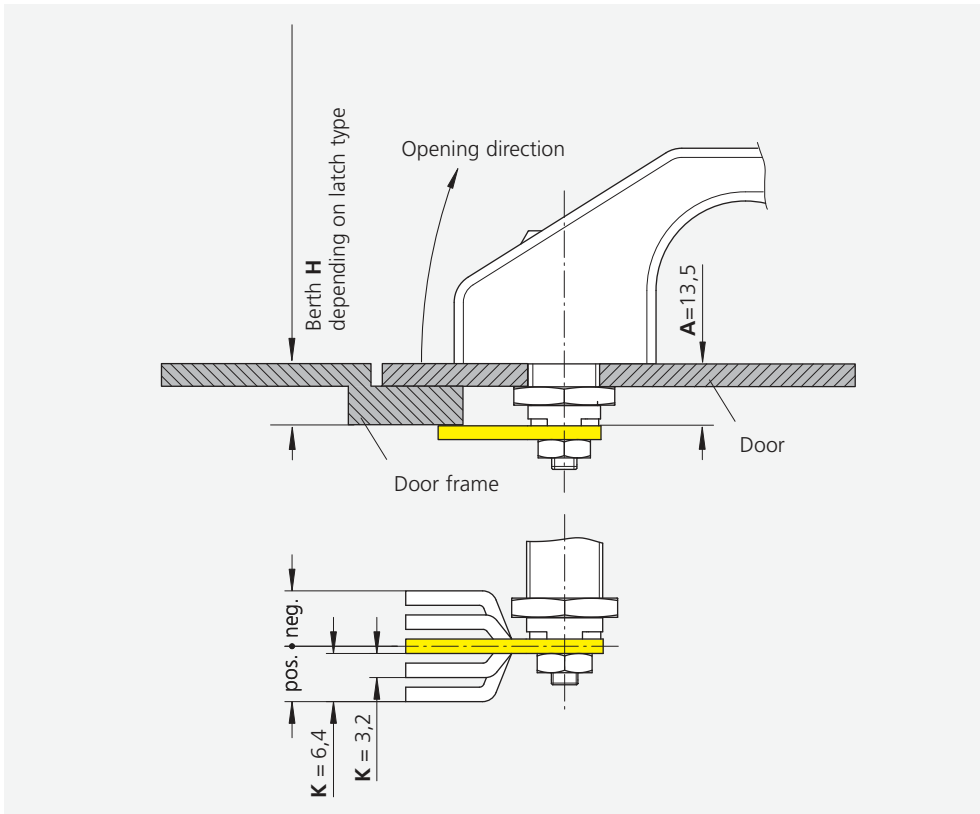
Aluminium AlMgSi 0.5; vibratory ground, natural colour or black anodized with dull bright finish.

Design advantages:

Mechanical lock for fastening incl. cylindrical pin $\varnothing 4 \times 10$ mm for anti-twist protection. Suitable for wall thicknesses up to 5 mm and clamping ranges up to max. 19.9 mm.



Colour version	Order no.
natural colour	FG9-30.165.11
black	FG9-30.165.14



Latches for safety lock

Berth							Typ FG9-30.V	Typ FG9-30.H	
	positive			negative			Fasteners	Hooked latches left	right
A	K	H	A	K	H	Order no.	Order no.	Order no.	
13,5	+ 0,0	13,5	13,5	- 0,0	13,5	FG9-30.000.V	FG9-30.000.H	FG9-30.000.H	
13,5	+ 3,2	16,7	13,5	- 3,2	10,3	FG9-30.003.V	FG9-30.003.HL	FG9-30.003.HR	
13,5	+ 6,4	19,9	13,5	- 6,4	7,1	FG9-30.006.V	FG9-30.006.HL	FG9-30.006.HR	