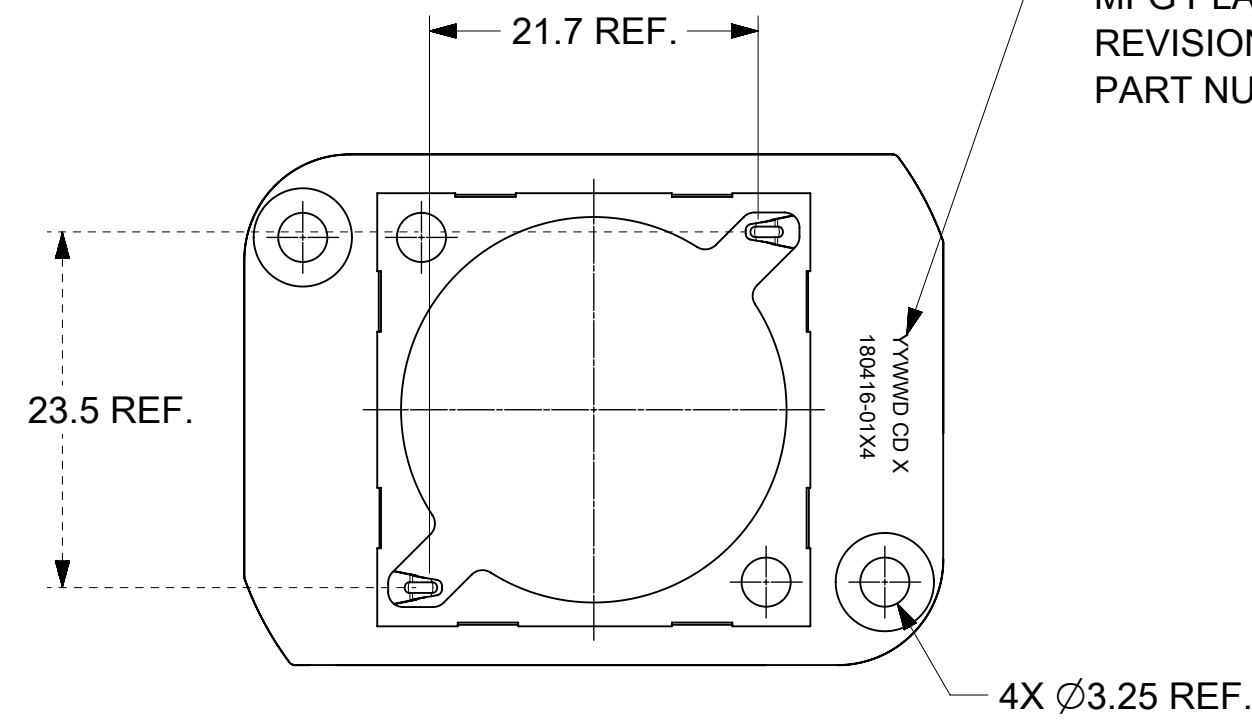
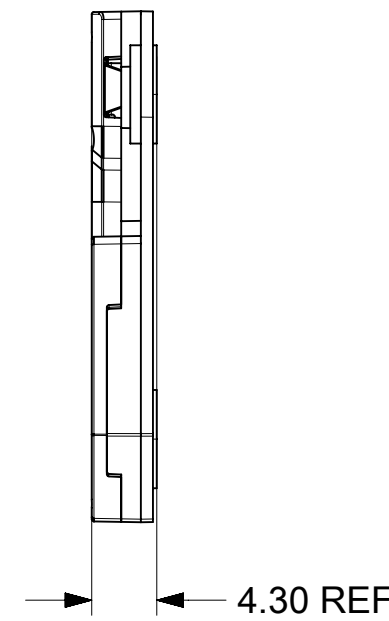
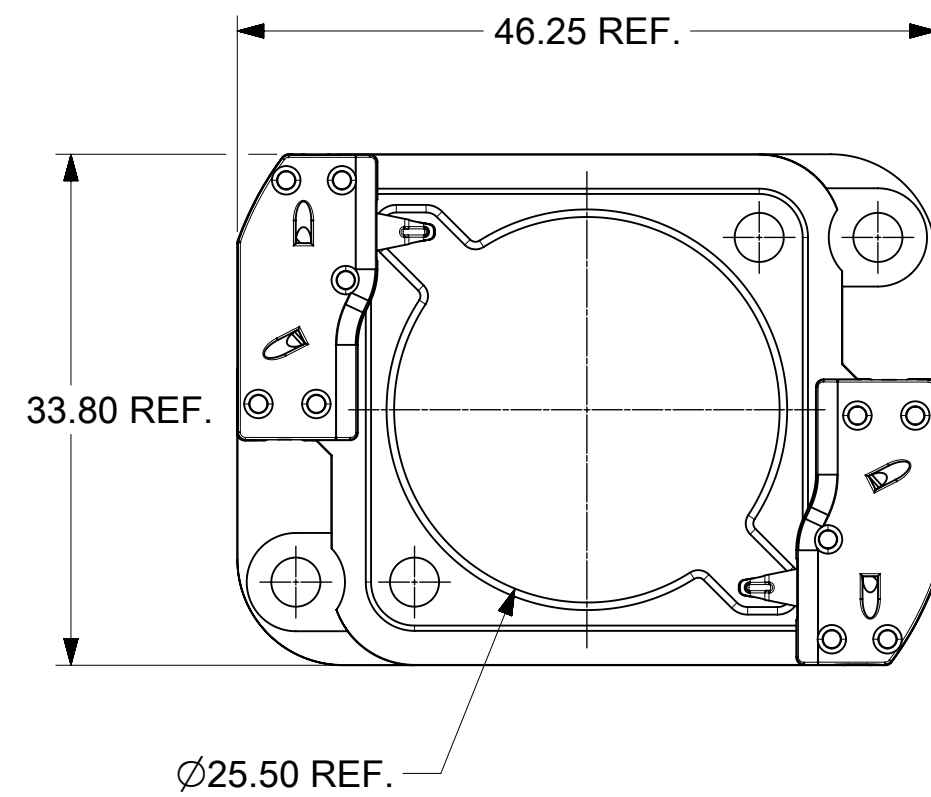
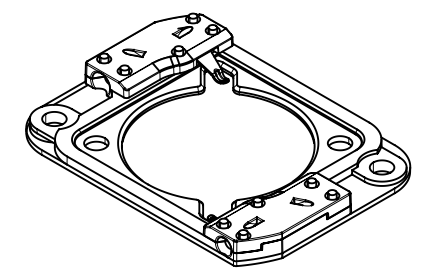


PART NUMBER	DESCRIPTION	MATERIAL	AGENCY APPROVAL
180416-0104	28MM X 28MM HOLDER ASSEMBLY	POLYAMIDE (PA66) GLASS FILLED, COLOR: NATURAL	UL496 FILE E345583
180416-0114	28MM X 28MM HOLDER ASSEMBLY	POLYESTER (PBT) GLASS FILLED,COLOR: WHITE	-

HOLDER ASSEMBLY
180416-0104, 180416-0114



PART MARKED WITH
DATE CODE (YYWWD)
MFG PLANT (CD)
REVISION (X)
PART NUMBER (180416-01X4)



ISO VIEW A
SCALE 1:1

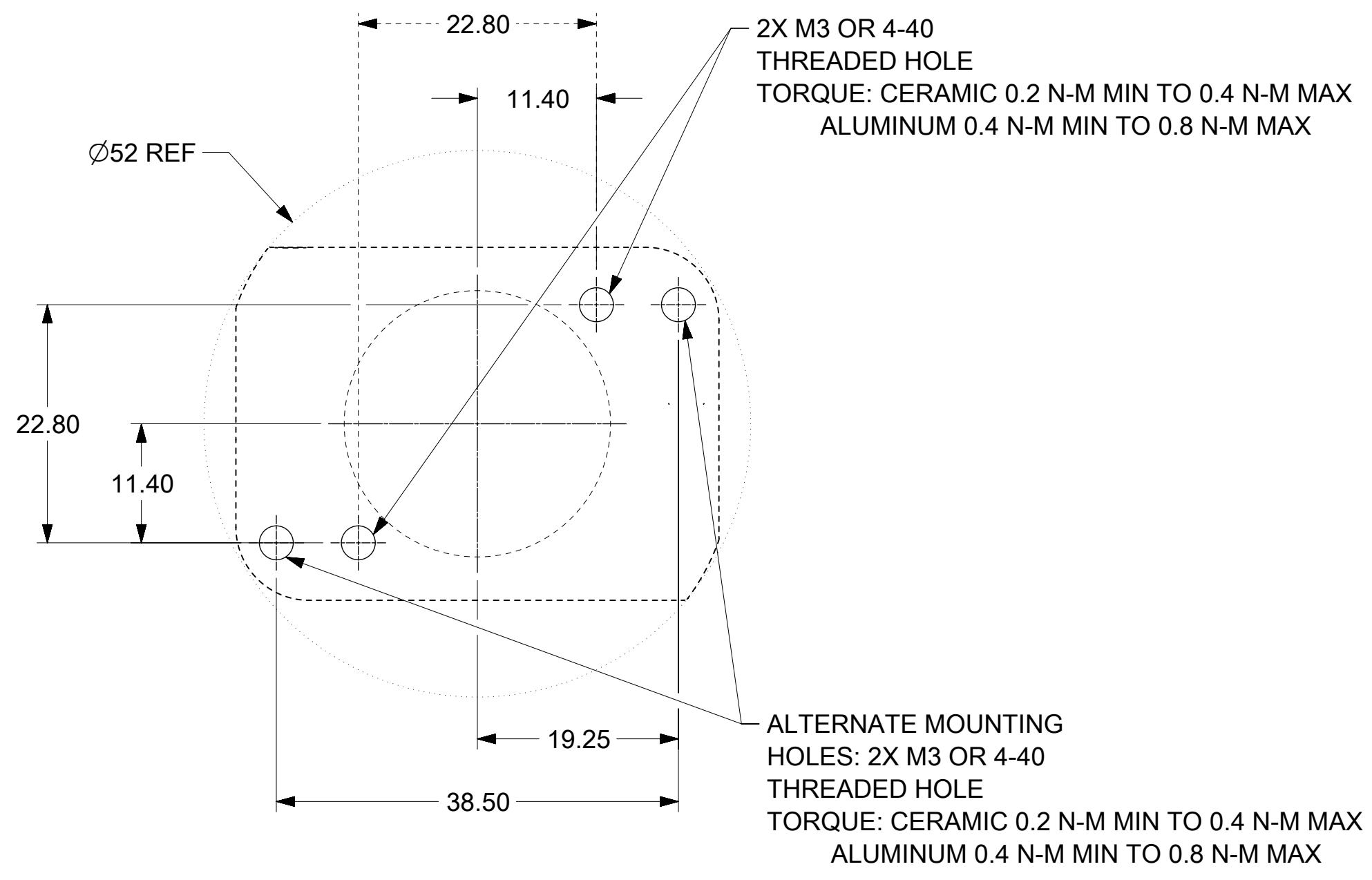
NOTES:

1. MATERIALS: HOUSING AND CAPS: SEE CHART, TERMINAL: COPPER ALLOY.
2. FINISHES: TERMINAL: NICKEL (Ni) UNDERPLATE 1.27 µm;
WIRE TRAP: SELECT TIN (Sn) 2.54µm; LED CONTACT: SELECT GOLD (Au) 0.76µm
3. PRODUCT SPECIFICATION: PS-180414-001
4. PACKAGING SPECIFICATION: PK-180419-007
5. APPLICATION SPECIFICATION: AS-180412-001
6. FOR USE WITH: 28MM X 28MM COB LED
7. WIRE GAUGE: 18, 20, AND 22 AWG: TIN-PLATED SOLID, TINNED STRANDED, OR PRE-TINNED STRANDED. STRIP LENGTH 10MM +2.0/-0.0MM. RECOMMENDED MAXIMUM DIAMETER AFTER TINNING: 1.40MM. LARGER DIAMETER WIRES ARE ACCEPTABLE IF FULLY INSERTABLE IN WIRE TRAP AND NO WITHDRAWAL WITHIN 20N FORCE.
8. IF REWORK IS REQUIRED, WIRE MUST BE REPLACED WITH SAME AWG AND TYPE. CARE MUST BE TAKEN NOT TO DAMAGE WIRE TRAP. REWORK IS ACCEPTABLE IF WIRE IS FULLY INSERTABLE IN WIRE TRAP AND NO WITHDRAWAL WITHIN 20N FORCE.
9. SEE CHART FOR AGENCY APPROVAL INFORMATION.
10. ELV AND ROHS COMPLIANT.

THIS DRAWING CONTAINS INFORMATION THAT IS PROPRIETARY TO MOLEX ELECTRONIC TECHNOLOGIES, LLC AND SHOULD NOT BE USED WITHOUT WRITTEN PERMISSION

DIMENSION UNITS		SCALE		CURRENT REV DESC: OBSOLETE PART NO.			
mm		2:1		<p>molex</p> <p>COB LED HOLDER 28MM X 28MM SQUARE</p> <p>PRODUCT CUSTOMER DRAWING</p> <p>DOCUMENT NUMBER: SD-180416-104 DOC TYPE: PSD DOC PART: 001 REVISION: D1</p> <p>MATERIAL NUMBER: SEE TABLE CUSTOMER: GENERAL MARKET SHEET NUMBER: 1 OF 3</p>			
GENERAL TOLERANCES (UNLESS SPECIFIED)							
4 PLACES	±	MM	INCH				
3 PLACES	±						
2 PLACES	±	0.13					
1 PLACE	±	0.25					
0 PLACES	±			<p>EC NO: 632260</p> <p>DRWN: RPRABHUM 2020/01/30</p> <p>CHK'D: GGA 2020/02/28</p> <p>APPR: GGA 2020/02/28</p> <p>INITIAL REVISION:</p> <p>DRWN: MCOLE 2012/05/21</p> <p>APPR: DMCGOWAN 2012/06/22</p>			
ANGULAR TOL ± 0.5 °				THIRD ANGLE PROJECTION			
DRAFT WHERE APPLICABLE MUST REMAIN WITHIN DIMENSIONS				DRAWING		SERIES	
				C-SIZE		180416	

DOCUMENT STATUS	P1	RELEASE DATE	2020/02/28 02:41:31
12	11	10	9

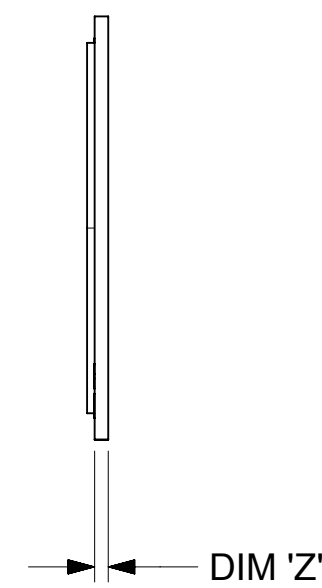
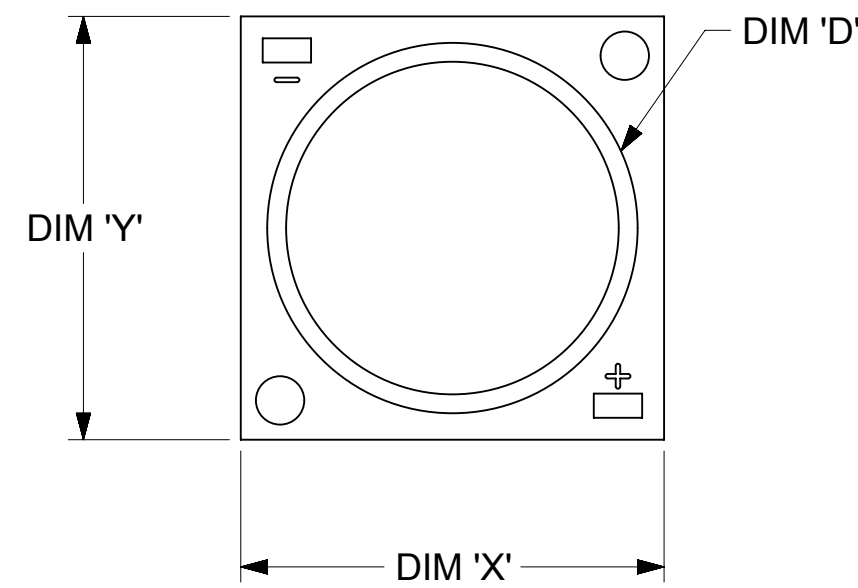


RECOMMENDED MOUNTING DIMENSIONS
 180416-0104, 180416-0114

THIS DRAWING CONTAINS INFORMATION THAT IS PROPRIETARY TO MOLEX ELECTRONIC TECHNOLOGIES, LLC AND SHOULD NOT BE USED WITHOUT WRITTEN PERMISSION											
DIMENSION UNITS		SCALE		CURRENT REV DESC: OBSOLETE PART NO.				molex			
mm		2:1									
GENERAL TOLERANCES (UNLESS SPECIFIED)				EC NO: 632260		2020/01/30		COB LED HOLDER 28MM X 28MM SQUARE			
4 PLACES		±	±	DRWN: RPRABHUM		2020/02/28					
3 PLACES		±	±	CHK'D: GGA		2020/02/28					
2 PLACES		±	0.13	±	APPR: GGA		2020/02/28		PRODUCT CUSTOMER DRAWING		
1 PLACE		±	0.25	±	INITIAL REVISION:				DOCUMENT NUMBER		
0 PLACES		±	±	±	DRWN: MCOLE		2012/05/21		SD-180416-104		
ANGULAR TOL		±	0.5	°	APPR: DMCGOWAN		2012/06/22		DOC TYPE DOC PART REVISION		
DRAFT WHERE APPLICABLE MUST REMAIN WITHIN DIMENSIONS				THIRD ANGLE PROJECTION		DRAWING		SERIES		MATERIAL NUMBER	
						C-SIZE		180416		SEE TABLE	
								GENERAL MARKET		SHEET NUMBER	
								2 OF 3			

DOCUMENT STATUS	P1	RELEASE DATE	2020/02/28	02:41:31
-----------------	----	--------------	------------	----------

COB MFG	TYPE	DIM 'X'	DIM 'Y'	DIM 'Z'	DIM 'D'
CITIZEN	CLL040, CLL042, CLU044, CLU046, CLU048	28.0	28.0	0.90	24.5
LEXTAR	PB38HO1.0	28.0	28.0	0.90	23.6
LUMILEDS	LUXEON 1211	28.0	28.0	1.00	21.0
SEOUL	ZC25, ZC40, ZC60	28.0	28.0	0.90	24.2
LG INNOTEK	40W/60W COB	28.0	28.0	0.82	24.5
VOSSLOH-SCHWABE	DMC12CC**D, DMC17CC**D	28.0	28.0	1.00	24.0
BRIDGELUX	V22	28.0	28.0	1.00	23.6



THIS DRAWING CONTAINS INFORMATION THAT IS PROPRIETARY TO MOLEX ELECTRONIC TECHNOLOGIES, LLC AND SHOULD NOT BE USED WITHOUT WRITTEN PERMISSION									
DIMENSION UNITS		SCALE		CURRENT REV DESC: OBSOLETE PART NO.				molex	
mm		2:1							
GENERAL TOLERANCES (UNLESS SPECIFIED)				EC NO: 632260				COB LED HOLDER 28MM X 28MM SQUARE	
		MM	INCH	DRWN: RPRABHUM		2020/01/30			
4 PLACES		±	±	CHK'D: GGA		2020/02/28			
3 PLACES		±	±	APPR: GGA		2020/02/28		PRODUCT CUSTOMER DRAWING	
2 PLACES		± 0.13	±	INITIAL REVISION:				DOCUMENT NUMBER	
1 PLACE		± 0.25	±	DRWN: MCOLE				SD-180416-104	
0 PLACES		±	±	APPR: DMCGOWAN				PSD 001 D1	
ANGULAR TOL		± 0.5 °		THIRD ANGLE PROJECTION		DRAWING		SHEET NUMBER	
DRAFT WHERE APPLICABLE MUST REMAIN WITHIN DIMENSIONS				C-SIZE		SERIES		MATERIAL NUMBER	
						180416		CUSTOMER	
								GENERAL MARKET	
								SEE TABLE	
								3 OF 3	

DOCUMENT STATUS	P1	RELEASE DATE	2020/02/28	02:41:31
12	11	10	9	8
7	6	5	4	3
2	1			