

PTS847 Series 4.6x2.2mm SMT Side Actuated Tact

NEW

Features/Benefits

- 4.6 x 2.2 x 2.6 mm package
- Height 0.95 mm above PCB (edge mount)
- Side actuation
- SMT termination with or without L-shape shield
- Hard & soft actuator options
- 160 & 350 gf versions
- Lifecycles 200K

Typical Applications

- Mobile headphone/ Headset
- Health monitoring
- Sports watch
- Black box
- Bluetooth accessory



Specifications

FUNCTION: momentary action
 CONTACT ARRANGEMENT: 1 make contact = SPST N.O.
 TERMINALS: SMT termination
 TRAVEL: 0.15 mm
 LIFE: 200,000 cycles

Electrical

MAXIMUM VOLTAGE: 15 VDC
 MAXIMUM CURRENT DC: 20 mA
 CONTACT RESISTANCE: 100 mΩ
 INSULATION RESISTANCE: 100 MΩ min.
 DIELECTRIC VOLTAGE: AC 250V

Environmental

OPERATING TEMPERATURE: -40°C to 85°C
 STORAGE TEMPERATURE: -40°C to 85°C

Process

SOLDERING: This component is suited to the following methods:
 Infrared Reflow Soldering in accordance with IEC61760-1

Packaging

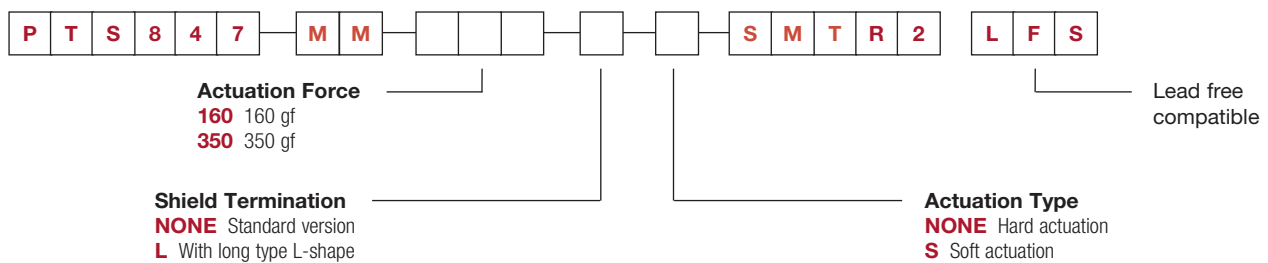
2,500 pieces per reel

NOTE:

- The PTS series is not certified for using in Automotive application and no PPAP. However, in the case of some automotive accessories and specific applications for 2 and 3 wheeled vehicles the PTS is widely used and very suitable. Please contact your local C&K representative to discuss your application and the best switch solution.

How To Order

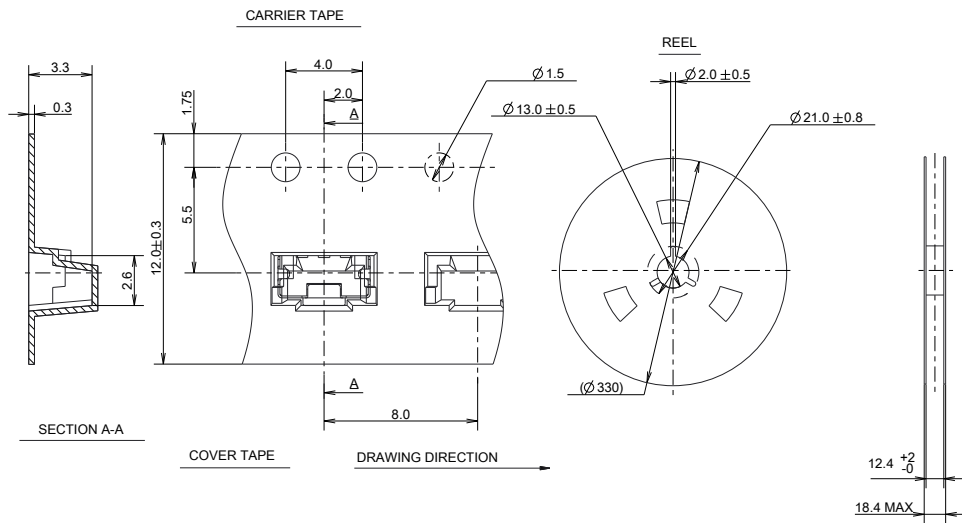
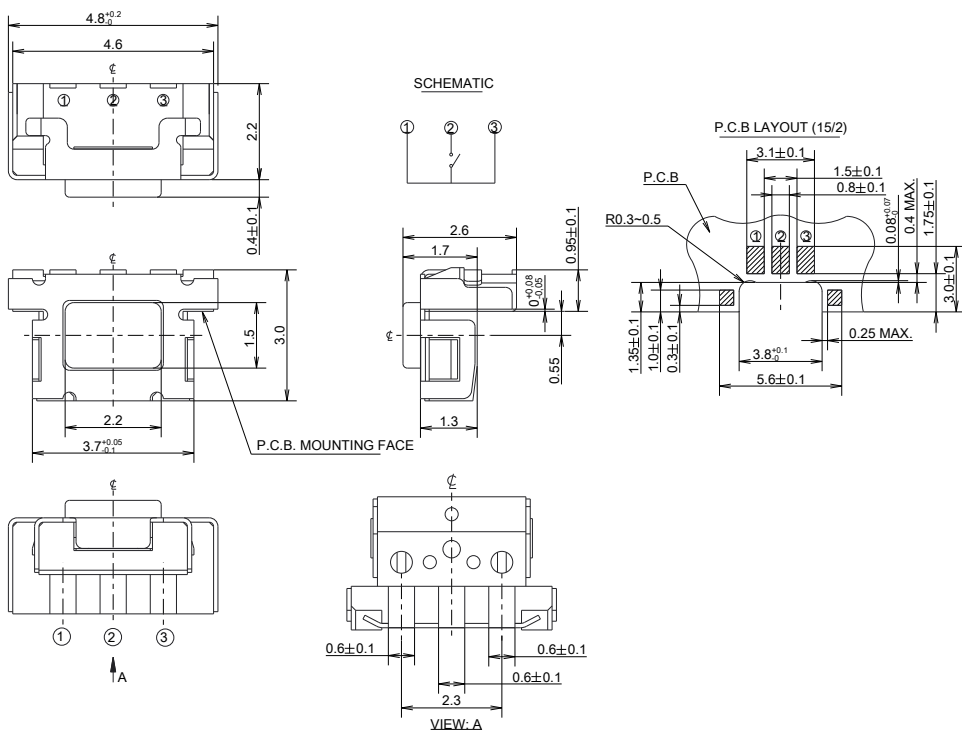
Our easy build-a-switch concept allows you to mix and match options to create the switch you need. To order, select desired option from each category and place it in the appropriate box.



NEW

PTS847 Series 4.6x2.2mm SMT Side Actuated Tact

STANDARD EDGE MOUNTING (HARD ACTUATOR VERSION)



B
Tactile Switches



14 Nov 22

Dimensions are shown: mm
Specifications and dimensions subject to change

