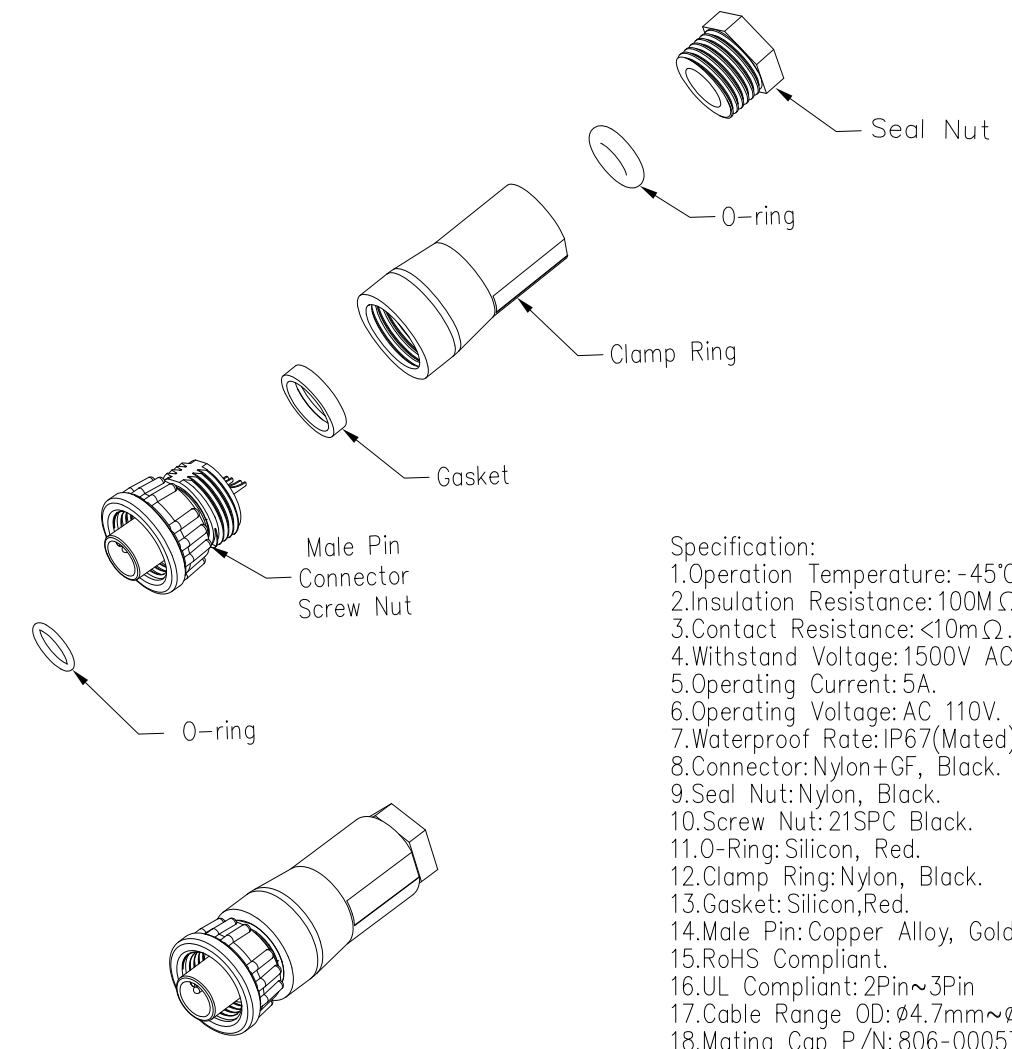
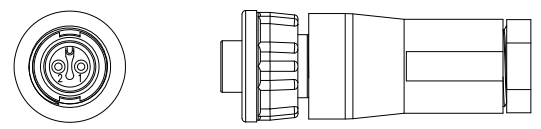
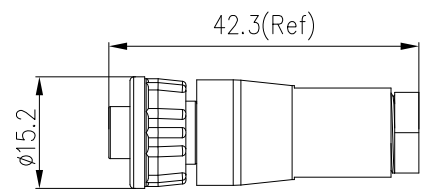


REV.	ECN NO.	DESCRIPTION	SIGN	DATE
C1	N/A	INITIAL DRAWING	Victory	2020/04/09



- Specification:
- 1.Operation Temperature: -45°C~105°C.
  - 2.Insulation Resistance: 100MΩ at DC 500V.
  - 3.Contact Resistance: <10mΩ.
  - 4.Withstand Voltage: 1500V AC.
  - 5.Operating Current: 5A.
  - 6.Operating Voltage: AC 110V.
  - 7.Waterproof Rate: IP67(Mated).
  - 8.Connector: Nylon+GF, Black.
  - 9.Seal Nut: Nylon, Black.
  - 10.Screw Nut: 21SPC Black.
  - 11.O-Ring: Silicon, Red.
  - 12.Clamp Ring: Nylon, Black.
  - 13.Gasket: Silicon,Red.
  - 14.Male Pin: Copper Alloy, Gold Plated.
  - 15.RoHS Compliant.
  - 16.UL Compliant: 2Pin~3Pin
  - 17.Cable Range OD: φ4.7mm~φ6.8mm
  - 18.Mating Cap P/N: 806-00057-00.

21XXX111-01  
Pin Number

2 Pin	3 Pin	4 Pin
P/N: 21002111-01	P/N: 21003111-01	P/N: 21004111-01

Pin Assignments Front View

UNIT: mm		DESCRIPTION Mini Series Screw Type Male Plug With Male Pin
TOLERANCE .X ±0.25 .XX ±0.15 .XXX ±0.05 ANGLES ±1°	SCALE: 1:1	SHEET 1 OF 1
REV. C1	SIZE A4	*: Inspection Item



PART NO	21XXX111-01	DRAWN BY	Victory	DATE	2020/04/09
DWG NO		CHECKED BY	Ivan	DATE	2020/04/09
CUSTOMER		APPROVED BY	Panson	DATE	2020/04/09

THIS INFORMATION IS CONFIDENTIAL AND IS DISCLOSED TO YOU ON CONDITION THAT NO FURTHER DISCLOSURE IS MADE BY YOU TO OTHER THAN CHOGORI PERSONNEL WITHOUT AUTHORIZATION FROM CHOGORI CORP.